

GENERAL CATALOGUE

Compressors & Condensing Units



for Commercial Refrigeration
R134a · R404A · R507 · R600a · R290 · R1234yf



HUAYI
COMPRESSOR
BARCELONA



For every type of application

The most complete range of products



Sustainable Cooling

Natural Refrigerants



Low energy consumption

Worldwide presence



Mobile applications

HUAYI COMPRESSOR BARCELONA

Leading manufacturer
of compressors



Huayi Compressor Barcelona

focuses on developing advanced compressor technologies to meet the commercial refrigeration market requirements worldwide.

50 years

of experience in designing, manufacturing and selling hermetic compressors and condensing units for the commercial refrigeration market

1. General Information	
The Company	9
The Product	11
Family of Compressors and Condensing Units	12
The Green Cooling Ranges	14
DC Compressors for mobile applications	16
Compressor ranges main characteristics	17
Identification Labels and Approvals	17
Compressor Nomenclature U, L, P, X and S Ranges	18
Compressor Nomenclature Small L & B Ranges	19
Voltage	20
Applications	20
Type of Electrical Motors	21
Compressors Ranges	22
Compressor Product Summary	25
Condensing Units	26
Condensing Unit Versions	26
Condensing Unit Designation	27
Condensing Units Summary	27
How to Read this Catalogue	28
2. Compressors Catalogue	
R134a	31
R404A / R507	39
R290 / R600a	45
DC and Variable Speed Compressors	53
3. Condensing Units Catalogue	
R134a	60
R404A / R507	61
R290	64
R134a – DC Compressor	65
4. Technical Information	
Compressor Dimensional Drawings	68
Safe Operating Area (SOA)	70
Condensing Units Layouts	72
Packaging	74
Fixings	80
Wiring Diagrams and Electrical Assembly	82



HUYAYI

1.

General Information





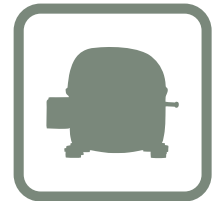
Research and Development

Leadership



Reliability

Innovation



Cutting-edge technology

People



The Company

Huayi Group has a global presence; headquarters in China and subsidiaries in Europe.

Huayi Compressor Co., Ltd.

Huayi Compressor Co., Ltd. was founded in 1990, located in Jingdezhen, China, and is a worldwide leader of household compressor manufacturing. It specializes in the production of hermetic compressors with a complete range from 40W to 400W for refrigerators, water dispensers and dehumidifiers, among other household appliances.

The core value of the company is “Employee, Customer and Shareholder Satisfaction”.

Huayi Compressor Barcelona, S.L.

Huayi Compressor Barcelona, S.L., subsidiary of Huayi Group, was founded in 1962 under the name of Unidad Hermética with the aim of producing hermetic compressors and cooling equipment. Today, the company belongs to Huayi Compressors Co. Ltd.

Oriented to develop quality product supported by European production, with more than 100 million compressors produced under the Cubigel Compressors® brand, the company mission has remained the same during its 51 years of experience developing compressors and satisfying the refrigeration market trends of Commercial Refrigeration.

The compressors are designed to optimize energy consumption to reduce the effects of Global Warming, which are the goals of innovative R&D, focused on developing a wide range of products apt for the market requirements.





The Product

Extended range of compressors

The most complete range of hermetic compressors for every commercial application under the Cubigel Compressor® brand. The offer includes more than 500 different models of compressors from ranges of 2.2 to 34cc, in most refrigerant gases, main voltages and types of applications.



Condensing Units

High quality hermetic condensing units with a wide range of options for most Commercial Refrigeration applications being also able to work under tropical temperature conditions. The range of condensing unit models covers both standard and customized versions.



The green cooling ranges

The advanced design of the Green Cooling ranges allows a remarkable efficiency improvement. These ranges comprise High Efficiency, Natural Refrigerants and the Variable Speed Compressors. This last one is crucial to reduce refrigeration energy consumption as the motor is electronically controlled.



Compressors for mobile applications

The best DC power supply compressors for mobile applications that are used in recreational vehicles, such as boats, caravans, cars that are equipped with refrigerators and freezers; and also in trucks or other transportation vehicles equipped with air conditioners in the sleeping cabins.



Family of Compressors and Condensing Units

small

Small L range



Features:
More compact, more efficient
Range:
2.2 – 3.1 cc
Refrigerants:
R134a, R600a
Applications:
Small refrigerators and freezers

B range



Features:
More displacement, more efficient, compactness
Range:
2.2 – 6.5 cc
Refrigerants:
R134a, R600a, R290
Applications:
Water coolers, can / bottle coolers, small refrigerator and freezers

U

U range



Features:
The most efficient, Compact size, Extremely silent, Green Cooling
Range:
5.50 to 9.09 cc
Refrigerants:
R134a, R290, R404A, R600a, R1234yf
Applications:
Ice Cream Freezers, Bottle Coolers, Chest coolers, Freezers, Refrigerated display counters, Display cabinets

L range

Features:
The highest efficient range with propane (R290) & isobutene (R600a)
Range:
4.56 to 10.7 cc
Refrigerants:
R134a, R404A, R600a, R290, R507, R1234yf
Applications:

Household Refrigerators, Bottle Coolers and Freezers, Can Coolers, Chest Freezers, Vending Machines, Ice Cream Freezers, Beer Dispensers, Ice Makers, Soft Drink Dispensers, Heat Pumps Systems





P range

Features:

High Efficiency versions
The highest efficient range with propane (R290) & isobutene (R600a)

Range:

12.00 - 18.00 cc

Refrigerants:

R134a, R404A, R600a, R290, R507, R1234yf

Applications:

Household Refrigerators, Bottle Coolers and Freezers, Can Coolers, Chest Freezers, Vending Machines, Ice Cream Freezers, Beer Dispensers, Ice Makers, Soft Drink Dispensers

X range

Features:

High reliability & efficiency. New design to work under heavy duty operation conditions

Range:

16.00 to 23.00 cc

Refrigerants:

R134a, R404A, R290, R407C, R507, R1234yf

Applications:

Large Freezers (vertical and chest), Blast Freezers, Ice Makers, Vending Machines, Display Cabinets, Display Islands, Soft Drink Dispensers



S range

Features:

Top capacity range, Optimized design to reduce vibration

Range:

18.00 to 34.42 cc

Refrigerants:

R134a, R404A, R407C, R507, R1234yf

Applications:

Large Freezers (vertical and chest), Soft drinks dispensers, Blast Freezers, Air Dryers, Ice Makers, Air Conditioning, Vending Machines, Heat Pumps, Display, Cabinets and Islands



CONDENSING UNITS

Features:

Complete range of Condensing Units from 2.2 to 34 cc
High reliability & top-quality components
Specific customized versions
Designed to work under 43° C tropical conditions

Refrigerants:

R134a, R404A, R290, R407C, R507, R1234yf

Applications:

Suitable for all applications





The Green Cooling Ranges

The most extended range of compressors for sustainable refrigeration in terms of energy consumption reduction.

The advanced design of the Green Cooling Ranges allows efficiency improvement providing energy consumption

reductions up to 45% compared to standard versions; consequently, lower CO₂ emissions to the atmosphere.

The Green Cooling Ranges comprise High Efficiency, Natural Refrigerants and Variable Speed Compressors.

The Green Cooling range gets to improve the compressor COP between 20% and 30% in comparison with standard ranges.

High Efficiency Ranges

The High Efficiency models reduce energy consumption of commercial refrigeration appliances between 10% and 30% with respect to standard ranges. Most High-Efficiency models are equipped with electric motors, designed with the "optional run capacitor" concept, that is, the compressor can work with or without a running capacitor (CSR/CSIR), offering the level of efficiency with the same compressor.

Natural Refrigerants

Natural refrigerants like propane (R290) and isobutene (R600a) are being gradually introduced in commercial appliances, not only due to the replacement of H-CFC's and HFC's refrigerants which have high impact on environment, but also because it is more efficient in terms of performance and applications' energy consumption.

Refrigerant propane has no direct contribution to global warming and its energy consumption is between 10% to 15% lower than a similar application with R404A. The Cubigel Compressors® R290 compressors offer a higher cooling capacity and COP allowing energy-saving consumption with smaller displacement.

The major environmental benefits are obtained combining the use of the R290 with the design criteria of high efficiency ranges. These compressor models, in their more advanced version can save up to 50% of energy when compared with standard efficiency series of R404A thanks to its high-efficiency mechanics, its advanced motor winding design and the optional running capacitor concept.



Variable Speed Compressors

The Variable Speed Compressor offers the lowest energy consumption by means of electronically self-adjusting the compressor's speed to the appliance's cooling needs, while improving COP up to 50%.

Using Smart Speed® software with communication capabilities, this compressor automatically achieves the best efficiency for the appliance while dynamically adapting the compressor's speed to the needed cooling capacity.

The major benefit can be obtained with a Variable Speed Compressor combined with the use of natural refrigerants, achieving a better performance with no contribution to global warming.

Variable
Speed
Compressors



Features:

- High Efficiency, Flexible Speed Drive
- Drop-in Configuration
- External Controlling
- 200-240 V / 50-60Hz
- 110-127V / 50-60Hz

Models:

GLT99FSN, NPT12FSC, NLT60FSN

Refrigerant:

R290, R134a





DC Compressors for mobile applications

The Cubigel Compressors mobile cooling solutions for transportation vehicles are designed to operate from a 12-42V DC power supply. These compressors are designed for mobile DC applications in boats, trucks, private cars, medical appliances in ambulances, truck cabin air conditioners, among others.

The GD30FDC model is the solution for users requiring comfort and reliability while traveling where a DC powered refrigerator is utilized.

The GLT80TDC is the answer to the needs of users requiring comfort and reliability while traveling, either on holidays, at work or in any other circumstance where a DC powered air conditioner is utilized.

The electronic driver from all Mobile Compressors include the Smart Speed® programming option, which is a plug-in system for automatically self-adapting compressor speed to the current thermal load.

The GD30FDC and GLT80TDC are designed to operate from a low voltage DC power supply to operate silently, efficiently and reliably even up to angles of tilt of 30° / 20° respectively, working with refrigerant R134a.

DC Compressors Range



Features:

DC compressors for mobile applications, exceptionally silent
GD30FDC VDE & UL approved
Ready to work under heavy duty operating conditions
12-42V DC / 24-42V DC / 48-56V DC / 100-240 V / 50-60Hz AC

Models:

GD30FDC, GLT80TDC.

Refrigerant:

R134a

Compressor Ranges Main Characteristics

Compressor ranges - Main characteristics							
Range	Displacement (cm ³)		Cooling capacity (W) [*]				Weight (max) (kg)
			LBP		HMBP		
	min	max	min	max	min	max	
Small L	2.2	3.1	30	67	-	-	4.20
B	2.2	6.5	54	200	185	418	6.00
U	5.5	9.09	215	440	325	858	9.90
L	4.5	10.7	110	696	324	1682	11
P	10	18	190	962	1065	2080	13
X	16	23	400	1060	1655	3030	17
S	18	34	1215	1620	2475	5265	23

*All refrigerants / Measured at ASHRAE rating condition 50 Hz

Identification Labels and Approvals

For U, L, P, X, S

Model: GL90TG
 Voltage: 200-220 V-50 Hz, 220-230 V-60 Hz
 PH1
 Approvals: Three circles
 Refrigerant: R134a
 Production Date: 05101
 Bar Code: 9720657468000148

For Small L & B

Model: B43H
 Voltage: 220-240-50Hz
 Approvals: CCC, DVE
 Refrigerant: R134a
 Bar Code: B43H 16051600009

Approvals



Directive compliance declarations



Flammable gases



Compressor Nomenclature U, L, P, X and S Ranges

model

G	L	Y	60	R	A	a
----------	----------	----------	-----------	----------	----------	----------

Indicates refrigerant.

G = R134a **N** = R290
M = R404A/R507 **H** = R600a

Indicates compressor range (overall design).

L = 4.0 - 10.7cm³ **X** = 16.0 - 23.0cm³
U = 5.5 - 10.6cm³ **P** = 12.0 - 18.0cm³ **S** = 18.0 - 34.0cm³

Indicates energy efficiency level. Not appearing in case of Standard efficiency.

M = Medium
Y = High Efficiency - Run Capacitor Optional RSIR/RSCR or CSIR/CSR
T = Top Efficiency - Run Capacitor RSCR or CSR

Indicates approximate compressor displacement under the following rule:

U / L ranges 10 times the approx. displacement in cm³/rev (GL90TB -> approx 9 cm³/rev)
P / X / S ranges The approx. displacement in cm³/rev (MX21TG -> approx 21 cm³/rev)

Indicates the starting torque, application type and compressor cooling:

A = LBP - LST - S **L** = LBP - HST - Fan (Current Relay) **R** = HMBP - HST - FAN
C = LBP - LST - FAN **M** = HMBP - LST/HST - S/FAN (CSR versions with Current Relay)
D = LBP - HST - S **N** = LMBP - LST/HST - S/FAN **T** = HMBP - HST - FAN
F = LBP - HST -FAN **P** = HMBP - LST - FAN (CSR versions with Potential Relay)

Indicates the rated voltage:

A = 220-240V 50Hz **G** = 200-220V 50Hz / 220-230V 60Hz
B = 220-240V 50Hz (standard efficiency) **J** = 100V 50/60Hz
C = 100V 50/60Hz (standard efficiency) **N** = 200-220V 50Hz or 200-240V 50Hz / 220-230V 60Hz
D = 115V 60Hz **R** = 115-127V 60Hz
E = 115V 60Hz (standard efficiency) **3** = 3 phase 400-440V 50/60Hz
F = 208-230V 60Hz

Indicates a variant of the model that only affects the configuration of electrical components. Its meaning may vary from model to model. It does not appear on the compressor label but it is used for ordering, invoicing and HCB internal processes.

Examples:

1. In high-efficiency compressors ("Y" series, i.e.: GPY12LA or MLY80RD), the letters "a" or "b" may indicate the type of electrical connection corresponding to the electrical accessories supplied with the compressor.

a = no use of running capacitor
b = use of running capacitor

2. In X range it indicates the electrical accessories corresponding to the following situations:

a = Current relay + NTC
(no external connecting box).

Compressor Nomenclature Small L & B Ranges

model

B	C	35	C	5	B

Range:

L --> **Small L** range

B --> **B** range

For R290 (Propane) Models:

C --> Without Running Capacitor

G --> With Running Capacitor

Displacement x10:

22 - 2.2cc

25 - 2.5cc

30 - 30cc

Refrigerant & application:

H = R134a LBP

For R290 (Propane) Models:

G = R134a HBP

C = LBP - LST - Static

C = R600a LBP

R = HMBP - HST - Fan

M = R600a HBP

Voltage & Frequency:

Blank = 220-240V 50Hz and 220-240V 60 Hz

0 = 100V 50/60Hz

5 = 115V 60Hz

7 = 127V 60Hz

Efficiency level:

Blank = Standard Efficiency

For R290 (Propane) Models:

B = High Efficiency

A = 220-240V 50Hz

A = Very High Efficiency

S = Top efficiency



Voltage

The standards consider the voltage variation of the network to be within +/- 6% of its rated value, nevertheless the Cubigel Compressors® motors' design is able to work within -15% of the lowest rating and +10% of the highest rating.

Compressor Voltage Versions for L, P, U, X, S Ranges		
Voltage version	Compressor rating	Voltage operative range
A or B	220-240 V 50 Hz	187-264 V 50 Hz
C or J	100 V 50/60 Hz	85-110 V 50/60 Hz
D or E	115 V 60 Hz	98-127 V 60 Hz
G or F L or N	200- 220/220-230 V 50/60 Hz	170-242/187-253 V 50/60 Hz
M or R	115-127V 60Hz	98-140V 60Hz
T	200-220V 50Hz	187-242V 50Hz
U	208-230V 60Hz	177-253V 60Hz
3	400/440 V 50/60 Hz 3ph	340-440/374-484 V 50/60 Hz

Applications

Based on the characteristics of the system for which the compressor is intended, compressors are classified in different groups of application.

Low Back Pressure (LBP) Compressors.

Evaporating temperature range for U, L, P, X and S range:
-35°C to -10°C [-31°F to -14°F] (down to -40°C [-40°F] for refrigerant R404A and R290).

Evaporating temperature range for Small L and B range:
-35°C to -15°C [-31°F to -26°F]

Rating Condition:

-25°C [-13°F] (CECOMAF) or -23.3°C [-10°F] (ASHRAE)

Low Medium Back Pressure (LBMP) Compressors.

Evaporating temperature range:
-35°C to -5°C [-31°F to +23°F] (down to -40°C [-40°F] for refrigerant R404A and R290).

Rating Condition:

-25°C [-13°F] (CECOMAF) or -23.3°C [-10°F] (ASHRAE)

High Medium Back Pressure (HMBP) Compressors.

Evaporating temperature range:
-25°C to +10°C [-13°F to +50°F]

Rating Condition:

+5°C [+41°F] (CECOMAF) or +7.2°C [+45°F] (ASHRAE)

High Back Pressure (HBP) Compressors.

Evaporating temperature range:
-15°C to +10°C [+5°F to +50°F]

Rating Condition:

+5°C [+41°F] (CECOMAF) or +7.2°C [+45°F] (ASHRAE)



Types of Electrical Motors

RSIR (Resistance Start-Induction Run)

LST motor. No capacitors. Auxiliary winding is disconnected after start up. Standard energy efficiency.

CSIR (Capacitor Start-Induction Run)

HST motor. With starting capacitor. Auxiliary winding is disconnected after start up. Standard efficiency.

RSCR (Resistance Start-Capacitor Run)

LST motor. With running capacitor. Auxiliary winding remains connected after start up. Used for high efficiency in small capacity compressors (particularly in household refrigeration)

CSR (Capacitor Start and Run)

HST motor. Two capacitors (starting and running). Auxiliary winding remains connected after start up. Used for high efficiency in small compressors and for size reduced size motors in compressors with comparatively large displacements.

Single phase motor classification

Capacitor type	HST With starting capacitor		LST Without starting capacitor	
	With Running capacitor	Motor type: CSR	Starting device: Current relay + NTC for L & P ranges Potential relay for P, X & S ranges	Motor type: RSCR
Without Running capacitor	Motor type: CSIR	Starting device: Current Relay	Motor type: RSIR	Starting device: Current Relay or PTC

Type of starting device

Current relay – (electromechanical). RSIR/CSIR motors and CSR low/medium-power motors with NTC (the NTC is connected in series with the starting capacitor and the main propose is to reduce the current peaks in the relay contacts)

Potential relay – (electromechanical). CSR high-power motors.

PTC – (Positive Temperature Coefficient), the resistance increases with the temperature. Device only with RSIR or RSCR motors in the Small L, B, L and P ranges.

NTC – (Negative Temperature Coefficient), the resistance decreases with the temperature. Used in some CSR in order to reduce dimensions and components.

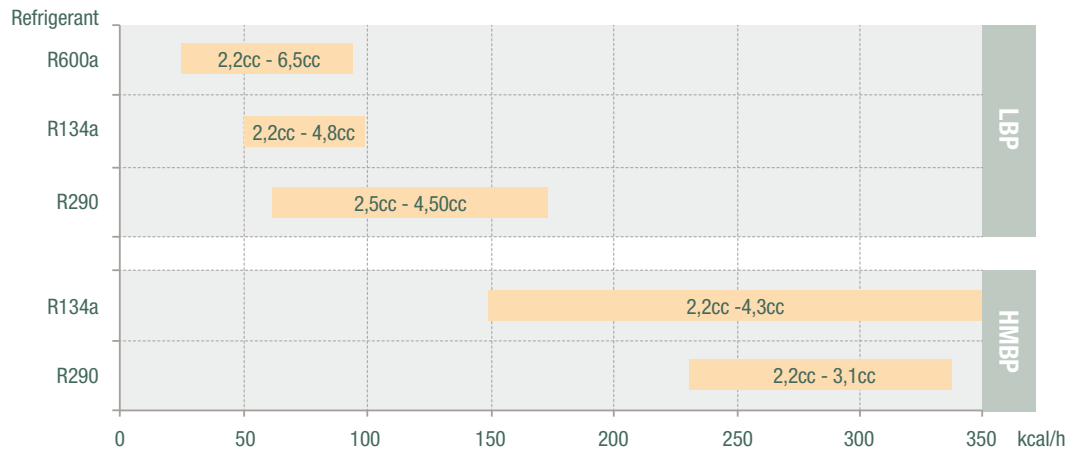
Type of torque

LST – Low Starting Torque – Systems with capillary tube or balanced pressures at start up.

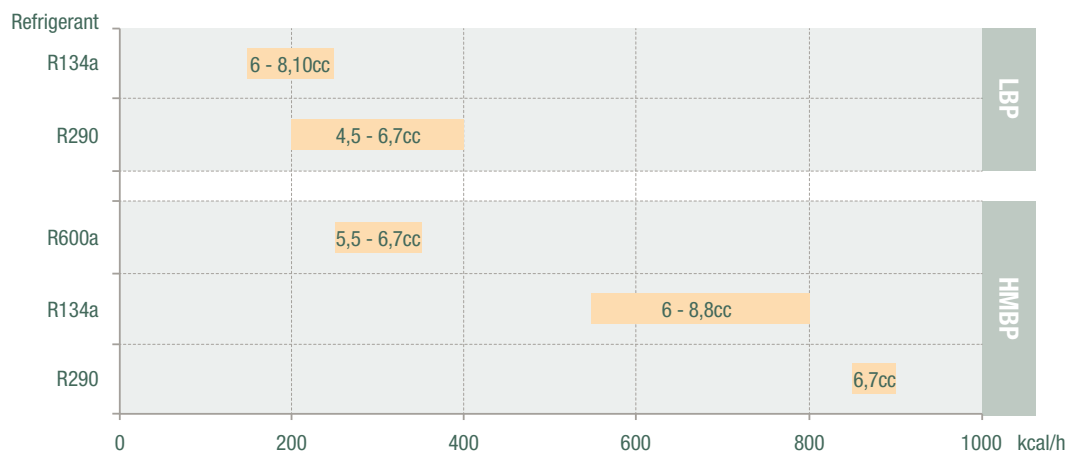
HST – High Starting Torque – Systems with expansion valve or capillary tube, with unbalanced pressures at start up.

Compressors Ranges

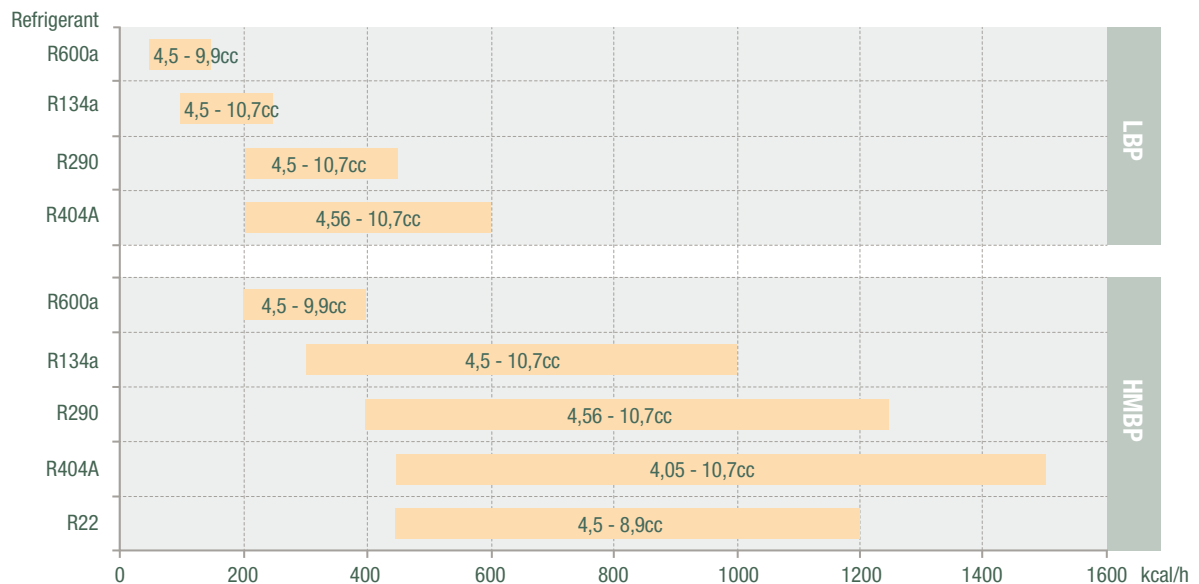
Compressors Ranges Small L & B



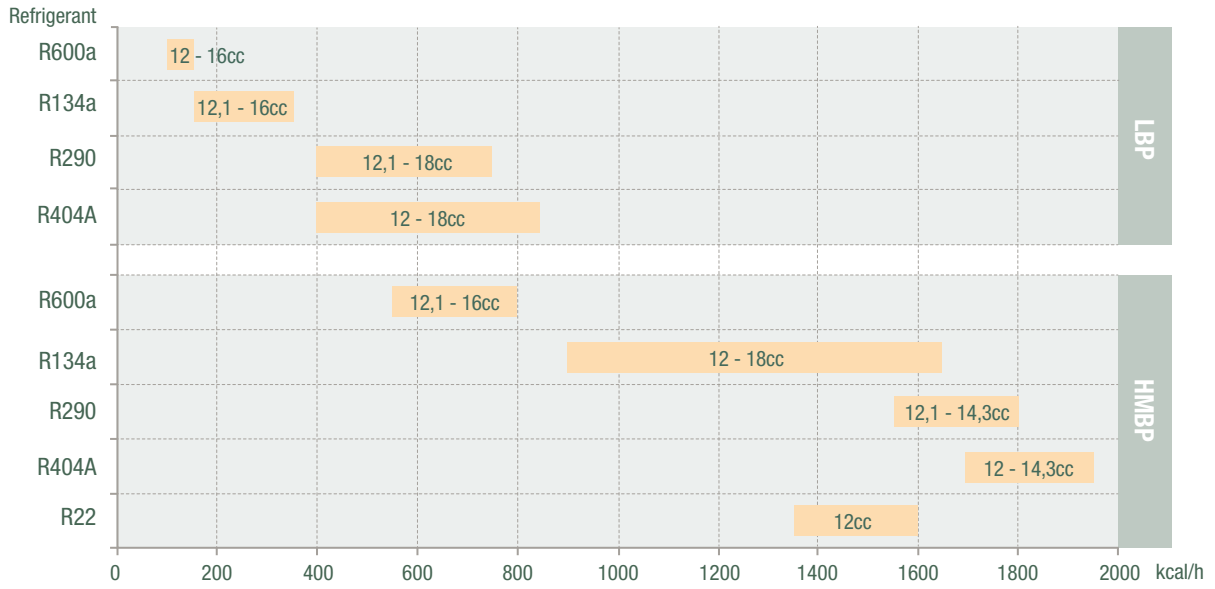
Compressors Ranges U



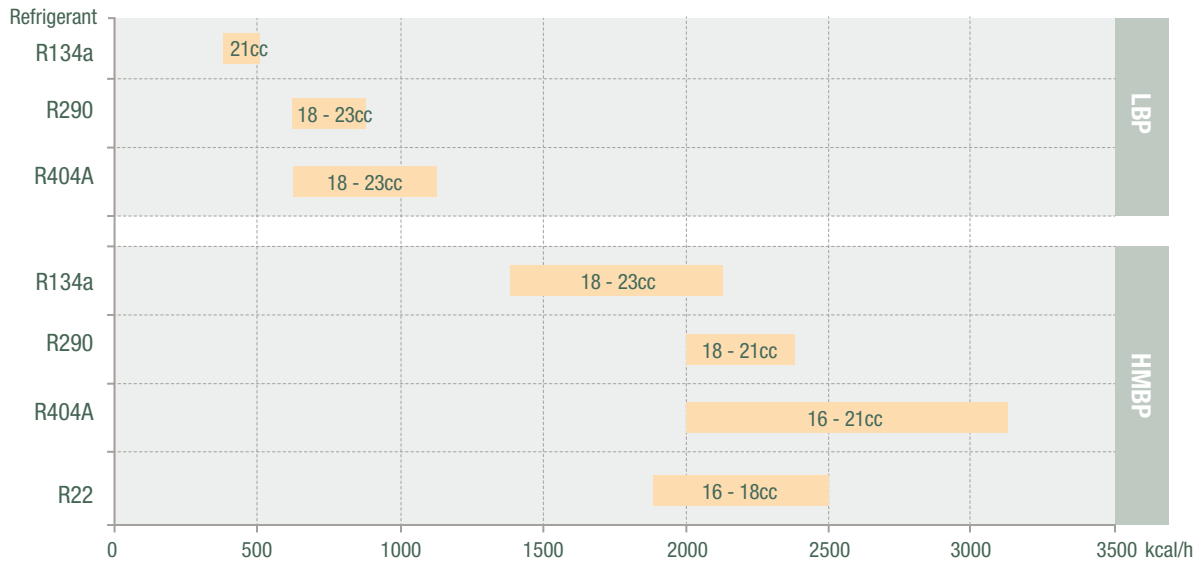
Compressors Ranges L



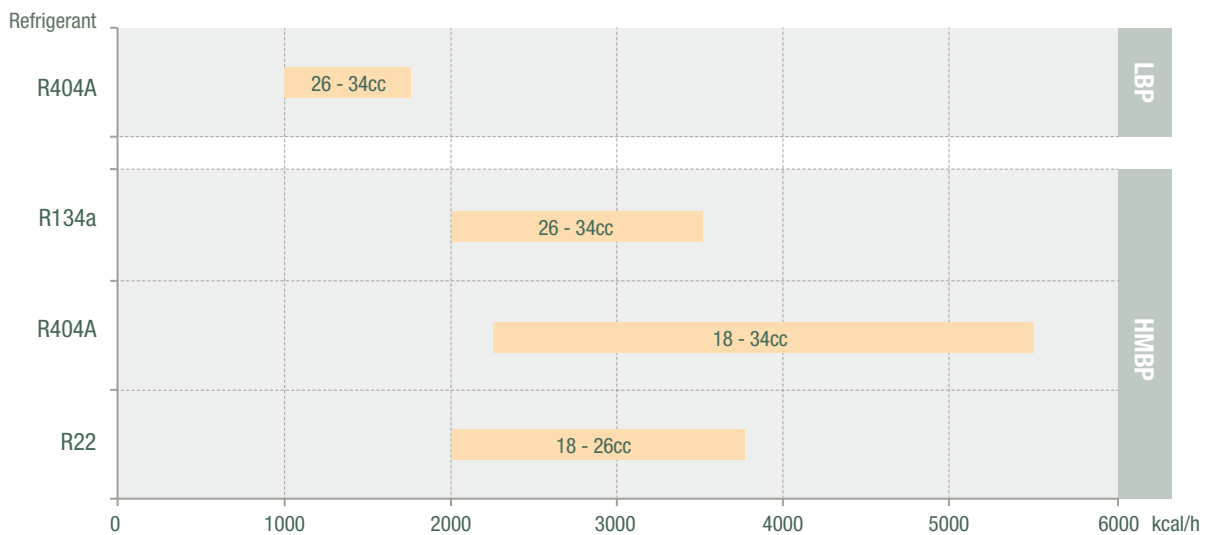
Compressors Ranges P



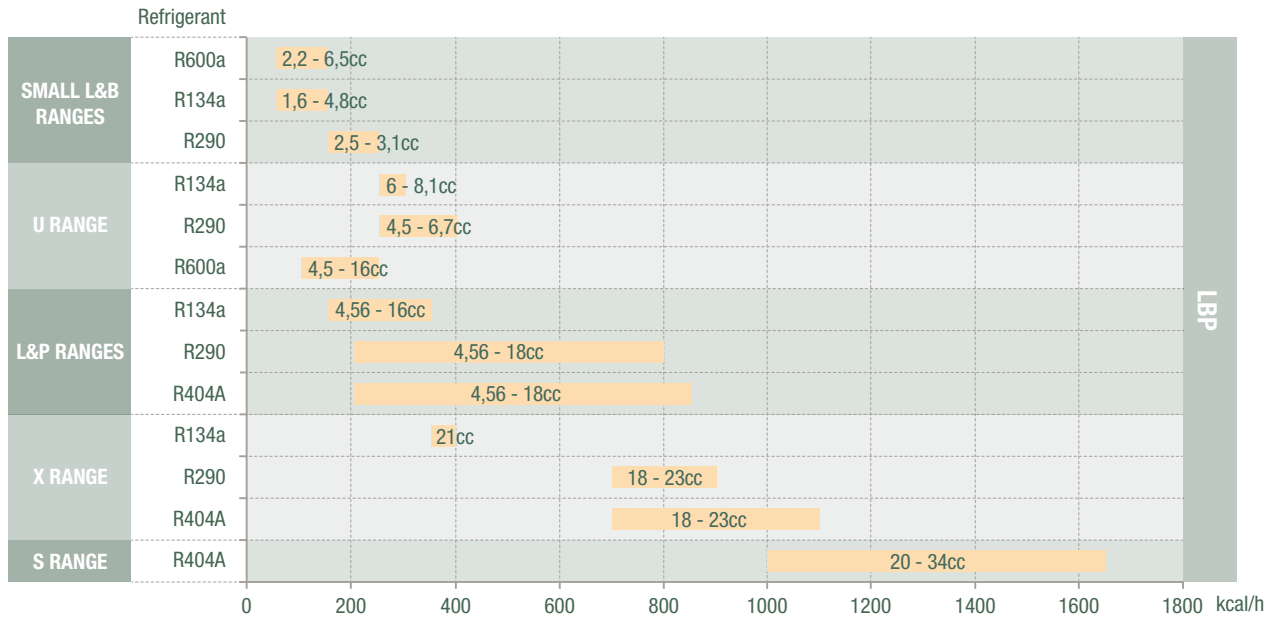
Compressors Ranges X



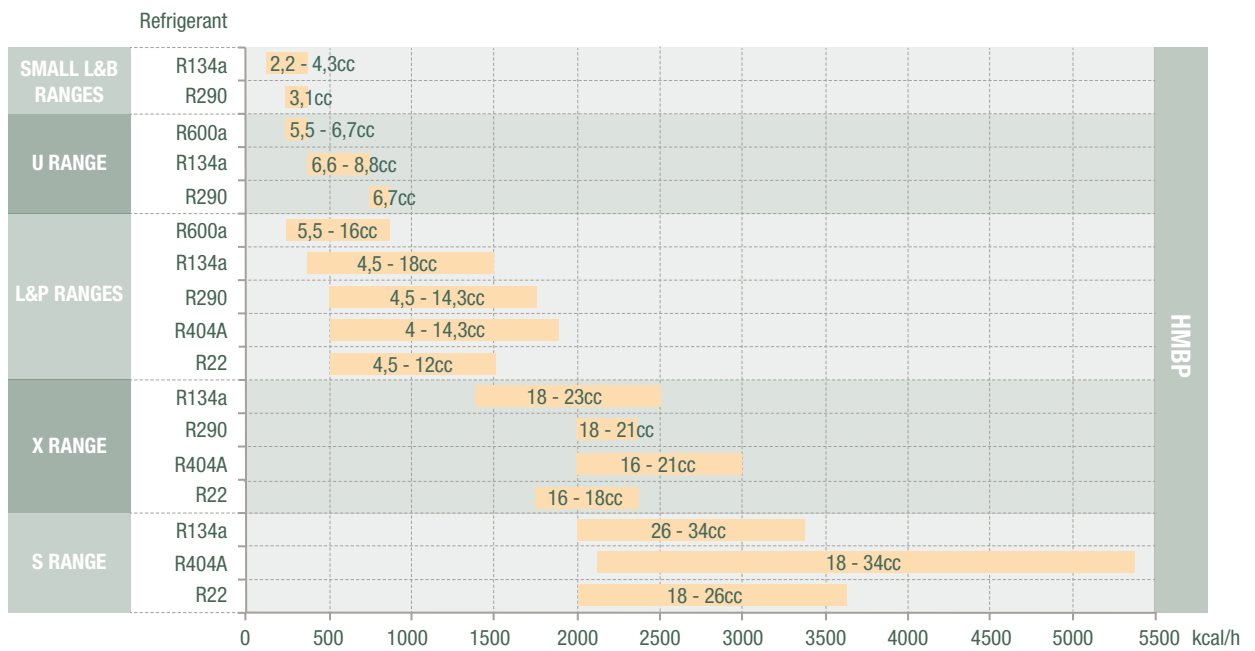
Compressors Ranges S



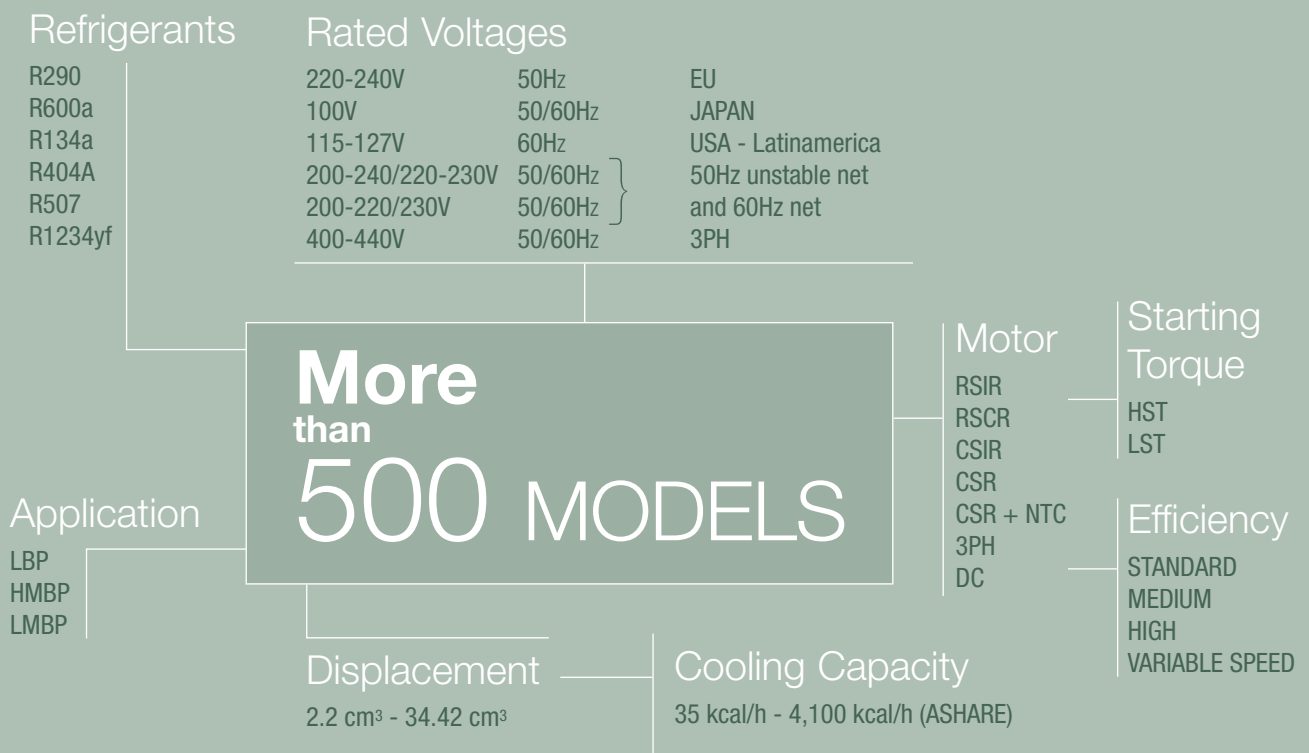
Compressors Ranges LBP



Compressors Ranges HMBP



Compressors Product Summary



Condensing Units

Features, Benefits and Customized versions

Cubigel Compressors offers a complete range of Condensing Units either standard or customized version, along with a wide variety of components to assemble customized condensing units.

Features and Benefits

- Complete range from 2.2 to 34 cc
- High reliability & top-quality components
- High Efficiency version available
- Specific customized range
- Designed to work under 43°C
- Suitable for all refrigerants & applications

Condensing Units



Main specific components

- Special power supply cable
- Special assembly supports (base plates)
- Dryer filters included (ceramic, molecular)
- Special pressure switches
- Non-assembled components
- Thermostat cables
- Special copper tubes (T connections)
- Sight glass
- Schrader valves
- Specific packaging
- Capillary tube
- Drain tray

Main specific services

- Units UL approved on request
- Certified laboratory facilities at customer disposal
- Quick prototype building
- Quick quotation system

Condensing Unit Versions

Version "1"

Basic equipment to be directly connected by soldering to the tubes of the condenser. Applicable to systems with a capillary expansion device.

Version "2"

Equipped with service valves in order to facilitate the connection and installation.

Version "3"

Equipped with service valves and liquid receiver. Applicable to systems with expansion valve.

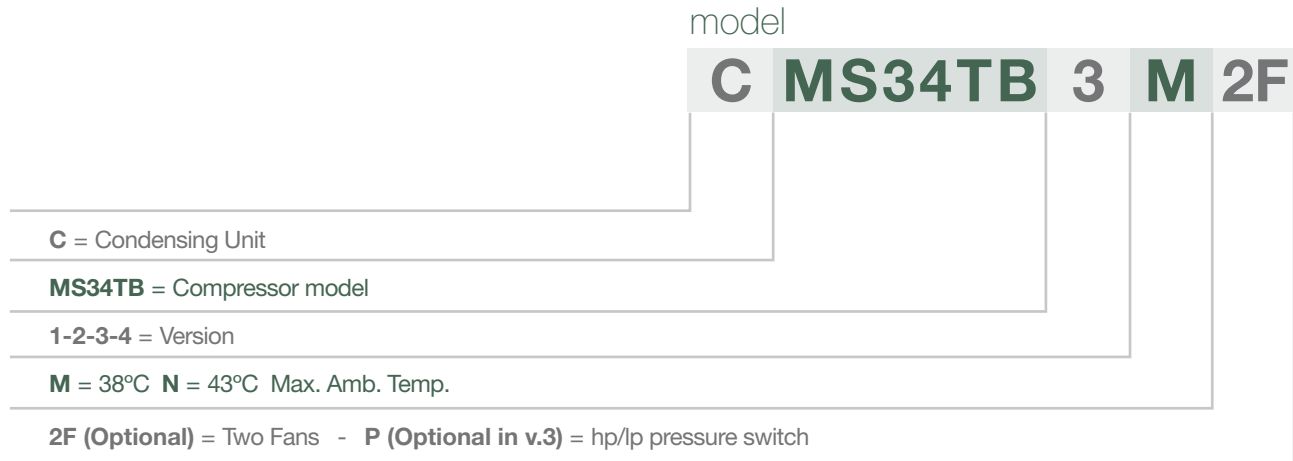
Version "3P"

Version "3" additionally equipped with a hp/lp pressure switch.

Version "4"

Version "1" additionally equipped with a Schrader valve on the refrigerant charging.

Condensing Unit Designation



Condensing Units Summary

Refrigerants

R290
R600a
R134a
R404A
R507
R1234yf

Rated Voltages

220-240V	50Hz	EU
100V	50/60Hz	JAPAN
115-127V	60Hz	USA - Latinamerica
200-240/220-230V	50/60Hz	50Hz unstable net and 60Hz net
200-220/230V	50/60Hz	3PH
400-440V	50/60Hz	

More than 500
STANDARD MODELS

Standard Versions

- 1
- 2
- 3
- 3P
- 4

Application

LBP
HMBP
MBP

Displacement

2.2 cm³ - 34.42 cm³

Cooling Capacity

35 kcal/h - 4,100 kcal/h (ASHARE)

How to read this Catalogue

Compressors

	MODEL	Grouped by Refrigerant type		APPLICATION	CPR COOLING	Grouped by Application type		MOTOR	STARTING	EXPANSION	Cooling capacity CECOMAF & ASHRAE						WEIGHT Kg	DESIGN	
		R404A (*)				HMBP HBP • 50 Hz					REFRIGERATION CAPACITY								
		DISPLACEMENT	POWER			COP in W/W 1 W = 0,864 kcal/h = 3,415 BTU/h Evaporating Temperature °C													
		cm ³	hp			Cecomaf (W)					Ashrae								
		-25	-15	5		10	7.2												
		W	COP			kcal/h	COP												
	ML40TB	4.05	1/6	HMBP	F	220-240V 50Hz ~1		CSIR	R	C-V	133	214	473	1.43	558	510	1.74	10.0	Lc
	ML40TG	4.05	1/6	HMBP	F	200-240/220-230V 50/60Hz ~1		CSIR	R	C-V	133	214	473	1.43	558	510	1.74	10.0	Lc
	ML45TB	4.50	1/5	HMBP	F	220-240V 50Hz ~1		CSIR	R	C-V	151	238	528	1.49	624	570	1.82	10.1	Lc
	ML45TG	4.50	1/5	HMBP	F	200-240/220-230V 50/60Hz ~1		CSIR	R	C-V	151	238	528	1.49	624	570	1.82	10.0	Lc
Indicates Green Cooling models	MLY60RAa	5.98	1/4	HMBP	F	220-240V 50Hz ~1		CSIR	R	C-V	212	346	766	1.77	902	825	2.15	10.5	Lc
	MLY60RAb	5.98	1/4	HMBP	F	220-240V 50Hz ~1		CSR	R	C-V	212	346	766	1.93	902	825	2.36	10.5	Lc
	ML60TB	5.68	1/4	HMBP	F	220-240V 50Hz ~1		CSIR	R	C-V	166	277	647	1.53	769	700	1.85	10.1	Lc
	ML60TG	5.68	1/4	HMBP	F	200-220/230V 50/60Hz ~1		CSIR	R	C-V	166	277	647	1.53	769	700	1.85	10.0	Lc
	MLY80RAa	8.10	3/8	HMBP	F	220-240V 50Hz ~1		CSIR	R	C-V	282	463	1055	1.86	1250	1140	2.27	10.2	Ld
	MLY80RAb	8.10	3/8	HMBP	F	220-240V 50Hz ~1		CSR	R	C-V	282	463	1055	2.02	1250	1140	2.46	10.2	Ld
	ML80TB	7.57	3/8	HMBP	F	220-240V 50Hz ~1		CSIR	R	C-V	227	385	880	1.63	1040	950	1.99	11.4	Ld
	ML80TG	7.57	3/8	HMBP	F	200-240/220-230V 50/60Hz ~1		CSIR	R	C-V	227	385	880	1.63	1040	950	1.99	11.2	Ld
	MLY90RAa	9.09	3/8	HMBP	F	220-240V 50Hz ~1		CSIR	R	C-V	317	512	1132	1.75	1334	1220	2.13	11.3	Ld
	MLY90RAb	9.09	3/8	HMBP	F	220-240V 50Hz ~1		CSR	R	C-V	317	511	1136	1.92	1340	1225	2.34	11.3	Ld
	ML90TB	8.86	3/8	HMBP	F	220-240V 50Hz ~1		CSIR	R	C-V	282	463	1055	1.63	1250	1140	1.98	11.6	Ld
	ML90TG	8.86	3/8	HMBP	F	200-220/230V 50/60Hz ~1		CSIR	R	C-V	282	463	1055	1.63	1250	1140	1.98	12.7	Ld
	MP12TG	12.05	1/2	HMBP	F	200-220/220-230V 50/60Hz ~1		CSR	R	C-V	373	634	1463	1.85	1732	1580	2.25	13.5	Pd
	MPT12RA	12.10	3/8	HMBP	F	220-240V 50Hz ~1		CSR	R	C-V	398	676	1560	1.93	1845	1685	2.35	12.6	Pd
	MPT14RA	14,32	1/2	HMBP	F	220-240V 50Hz ~1		CSR	R	C-V	478	784	1760	1,81	2078	1900	2.20	13.5	Pd
	MX16TBa	16.03	3/4	HMBP	F	220-240V 50Hz ~1		CSR	R	C-V	484	818	1880	1.76	2225	2030	2.15	16.2	Xc
	MX18TBa	18.40	7/8	HMBP	F	220-240V 50Hz ~1		CSR	R	C-V	554	937	2157	1.78	2554	2330	2.18	16.0	Xd
	MX18TG	18.40	7/8	HMBP	F	200-220/220-230V 50/60Hz ~1		CSR	R	C-V	554	937	2157	1.78	2554	2330	2.18	17.0	Xd
	MX21TBa	20.73	2	HMBP	F	220-240V 50Hz ~1		CSR	R	C-V	625	1052	2425	1.78	2873	2620	2.16	17.5	Xd
	MX21TG	20.72	1	HMBP	F	200-220/230V 50/60Hz ~1		CSR	R	C-V	625	1052	2425	1.77	2873	2620	2.15	17.6	Xd
	MS18T3	18.10	7/8	HMBP	F	400/440V 50/60Hz ~3		3PHASE	R	C-V	423	838	2137	1.92	2557	2320	2.35	20.0	Sb
	MS22TB	21.75	1	HMBP	F	220-240V 50Hz ~1		CSR	R	C-V	453	972	2566	2.04	3077	2789	2.50	20.5	Sc
	MS22T3	21.75	1	HMBP	F	400/440V 50/60Hz ~3		3PHASE	R	C-V	453	975	2576	2.01	3090	2800	2.45	20.0	Sb
	MS26TB	25.93	1 3/8	HMBP	F	220-240V 50Hz ~1		CSR	R	C-V	675	1295	3185	2.02	3789	3449	2.46	23.0	Sd
	MS26TG	25.93	1 3/8	HMBP	F	200-220/230V 50/60Hz ~1		CSR	R	C-V	675	1295	3186	2.02	3791	3451	2.46	23.0	Sd
	MS26T3	25.93	1 3/8	HMBP	F	400/440V 50/60Hz ~3		3PHASE	R	C-V	675	1295	3186	2.01	3791	3451	2.45	18.6	Sd
	MS34TB	34.42	1 5/8	HBP	F	220-240V 50Hz ~1		CSR	R	C-V	-	1860	4231	1.92	4959	4551	2.30	22.7	Sd
	MS34T3	34.42	1 5/8	HMBP	F	400/440V 50/60Hz ~3		3PHASE	R	C-V	1007	1860	4231	1.82	4958	4551	2.20	22.8	Sd
	MS34TG	34.42	1 5/8	HMBP	F	200-220/230V 50/60Hz ~1		CSR	R	C-V	1012	1860	4231	1.92	4959	4551	2.30	22.7	Sd

Condensing Units

MODEL	Grouped by Refrigerant type			MAX. AMBIENCE TEMP. T = TROPICALIZED	APPLICATION	VOLTAGE FREQUENCY	MOTOR	EXPANSION	Cooling capacity CECOMAF & ASHRAE								Operative range of evaporating temp				Dimensional drawing reference				
	R134a (*)								HMBP HBP		50 Hz		REFRIGERATION CAPACITY									VERSION "3"			
	DISPLACEMENT	POWER							W								DIMENSIONS		TUBES			WEIGHT	DESIGN		
	cm ³	hp							W x 0.86 = kcal/h W x 3.412 = BTU/h								W x L x H		SUCTION	COMPRESSION					
									Evaporating Temperature								mm		Inch	Inch				Kg	
			-25	-15	-5	5	7.2			10															
							W	W in _p	A																
CGL45PB_N	4.50	1/6	43	T	HMBP	220-240V 50Hz ~1	RSIR	C	108	183	286	416	448	238	1.00	491	320x425x220	3/8	1/4	14.5	3B				
CGL45TB_N	4.50	1/6	43	T	HMBP	220-240V 50Hz ~1	CSIR	C-V	108	183	286	416	448	238	1.00	491	320x425x220	3/8	1/4	14.5	3B				
CGL45TG_N	4.50	1/6	43	T	HMBP	200-240/220-230V 50/60Hz ~1	CSIR	C-V	109	180	279	407	439	219	1.00	482	320x425x220	3/8	1/4	14.5	3B				
CGLY45RAa_N	4.56	1/6	43	T	HMBP	220-240V 50Hz ~1	CSIR	C-V	140	208	312	452	490	235	1.00	535	320x425x235	3/8	1/4	16.0	3B				
CGLY45RAb_N	4.56	1/6	43	T	HMBP	220-240V 50Hz ~1	CSR	C-V	140	208	312	452	490	211	0.85	535	320x425x235	3/8	1/4	16.0	3B				
CGL60PB_N	5.68	1/5	43	T	HMBP	220-240V 50Hz ~1	RSIR	C	130	232	361	520	558	271	1.00	609	320x425x235	3/8	1/4	17.0	3B				
CGL60TB_N	5.68	1/5	43	T	HMBP	220-240V 50Hz ~1	CSIR	C-V	130	232	361	520	558	271	1.00	609	320x425x235	3/8	1/4	17.0	3B				
CGL60TG_N	5.68	1/5	43	T	HMBP	200-240/220-230V 50/60Hz ~1	CSIR	C-V	136	227	366	551	599	271	1.00	662	320x425x235	3/8	1/4	17.0	3B				
CGLY60RAa_N	5.98	1/5	43	T	HMBP	220-240V 50Hz ~1	CSIR	C-V	137	251	396	573	616	264	1.00	673	340x425x235	3/8	1/4	17.0	3B				
CGLY60RAb_N	5.98	1/5	43	T	HMBP	220-240V 50Hz ~1	CSR	C-V	137	251	396	573	616	242	0.87	673	340x425x235	3/8	1/4	17.0	3A				
CGL80PB_N	7.57	1/5	43	T	HMBP	220-240V 50Hz ~1	RSIR	C	166	285	441	636	684	343	2.02	747	340x425x235	3/8	1/4	17.0	3B				
CGL80TB_N	7.57	1/5	43	T	HMBP	220-240V 50Hz ~1	CSIR	C-V	166	285	441	636	684	343	2.02	747	340x425x235	3/8	1/4	17.0	3B				
CGL80TG_N	7.57	1/5	43	T	HMBP	200-220/220-230V 50/60Hz ~1	CSIR	C-V	178	300	473	699	755	333	2.02	831	340x425x235	3/8	1/4	17.0	3B				
CGLY80RAa_N	8.10	1/5	43	T	HMBP	220-240V 50Hz ~1	CSIR	C-V	219	351	543	795	858	349	2.02	943	340x425x235	3/8	1/4	18.5	3B				
CGLY80RAb_N	8.10	1/5	43	T	HMBP	220-240V 50Hz ~1	CSR	C-V	219	351	543	795	858	324	1.20	943	320x425x235	3/8	1/4	18.5	3A				
CGL90PB_N	8.85	1/4	43	T	HMBP	220-240V 50Hz ~1	RSIR	C	203	341	533	780	842	386	2.02	924	340x425x235	3/8	1/4	18.5	3B				
CGL90TB_N	8.85	1/4	43	T	HMBP	220-240V 50Hz ~1	CSIR	C-V	203	341	533	780	842	386	2.02	924	340x425x235	3/8	1/4	18.5	3B				
CGL90TG_N	8.85	1/4	43	T	HMBP	200-220/220-230V 50/60Hz ~1	CSIR	C-V	193	335	529	775	836	382	1.99	917	340x425x235	3/8	1/4	18.5	3B				
CGLY90RAa_N	9.09	1/4	43	T	HMBP	220-240V 50Hz ~1	CSIR	C-V	215	360	564	827	893	437	2.30	981	350x425x270	3/8	1/4	19.5	3B				
CGLY90RAb_N	9.09	1/4	43	T	HMBP	220-240V 50Hz ~1	CSR	C-V	215	360	564	827	893	397	2.01	981	350x425x270	3/8	1/4	19.5	3A				
CGLY12RAa_N	10.70	3/8	43	T	HBP	220-240V 50Hz ~1	CSIR	C-V	-	422	662	971	1048	527	2.43	1151	350x425x270	3/8	1/4	20.5	3B				
CGLY12RAb_N	10.70	3/8	43	T	HBP	220-240V 50Hz ~1	CSR	C-V	-	422	662	971	1048	472	2.71	1151	350x425x270	3/8	1/4	20.5	3B				
CGLY12RGa_N	10.70	3/8	43	T	HBP	200-220/220-230V 50/60Hz ~1	CSIR	C-V	-	422	662	971	1048	568	2.30	1151	350x425x270	3/8	1/4	20.5	3B				
CGLY12RGb_N	10.70	3/8	43	T	HBP	200-220/220-230V 50/60Hz ~1	CSR	C-V	-	422	662	971	1048	526	2.33	1151	350x425x270	3/8	3/8	20.5	3B				
CGPY12RAa_N	12.10	3/8	43	T	HMBP	220-240V 50Hz ~1	CSIR	C-V	314	504	768	1104	1188	571	3.02	1300	350x425x270	3/8	3/8	21.5	3B				
CGPY12RAb_N	12.10	3/8	43	T	HMBP	220-240V 50Hz ~1	CSR	C-V	314	504	768	1104	1188	523	2.07	1300	350x425x270	3/8	3/8	21.5	3A				
CGP14PB_N	14.17	3/8	43	T	HMBP	220-240V 50Hz ~1	RSIR	C	292	498	778	1130	1217	668	4.01	1334	350x425x270	3/8	1/4	21.5	3B				
CGP14TB_N	14.17	3/8	43	T	HBP	220-240V 50Hz ~1	CSIR	C-V	-	498	778	1130	1217	668	4.01	1334	350x425x270	3/8	1/4	21.5	3B				
CGP14TG_M	14.17	3/8	38	-	HBP	200-220/220-230V 50/60Hz ~1	CSIR	C-V	-	534	820	1184	1275	630	2.99	1395	350x425x270	3/8	1/4	21.5	3B				
CGPY14RAa_N	14.32	3/8	43	T	HMBP	220-240V 50Hz ~1	CSIR	C-V	442	618	867	1190	1270	623	3.56	1378	365x510x300	3/8	3/8	23.5	2D				
CGPY14RAb_N	14.32	3/8	43	T	HMBP	220-240V 50Hz ~1	CSR	C-V	442	618	867	1190	1270	579	3.02	1378	365x510x300	3/8	3/8	23.5	2E				
CGPY16RAa_N	16.15	3/8	43	T	HMBP	220-240V 50Hz ~1	CSIR	C-V	390	644	964	1350	1444	659	3.95	1568	365x510x300	3/8	3/8	23.5	2D				
CGPY16RAb_N	16.15	3/8	43	T	HMBP	220-240V 50Hz ~1	CSR	C-V	390	644	964	1350	1444	609	2.99	1568	365x510x300	3/8	3/8	23.5	2D				



2.

Compressors
Catalogue

R134a

R134a (*) LBP • 50 Hz



MODEL	DISPLACEMENT cm ³	POWER hp	APPLICATION	CPR COOLING	VOLTAGE FREQUENCY	MOTOR	STARTING	EXPANSION	REFRIGERATION CAPACITY								WEIGHT Kg	DESIGN
									COP in W/W 1 W = 0,864 kcal/h = 3,415 BTU/h Evaporating Temperature °C									
									Cecomaf (W)				Ashrae					
									-35	-30	-25		-10	-23.3				
											W	COP		kcal/h	COP			
L22HL	2.20	1/20	LBP	S	220-240V 50Hz ~1	RSIR	P	C	16	24	34	0.63	75	40	0.82	3.70	Lb	
L30HL	3.10	1/12	LBP	S	220-240V 50/60Hz ~1	RSIR	P	C	23	35	49	0.69	108	58	0.90	4.20	Lc	
B38H	3.80	1/12	LBP	S	220-240V 50Hz ~1	RSIR	P	C	30	45	63	0.73	139	74	0.95	4.60	Bb	
B43H	4.30	1/10	LBP	S	220-240V 50/60Hz ~1	RSIR	P	C	34	50	71	0.77	156	83	1.00	5.40	Bc	
B43HB	4.30	1/10	LBP	S	220-240V 50Hz ~1	RSCR	P	C	35	51	72	0.92	158	84	1.20	5.00	Bc	
B48H	4.80	1/8	LBP	S	220-240V 50Hz ~1	RSIR	P	C	38	56	79	0.81	174	93	1.05	5.00	Bc	
GL45AAa	4.56	1/8	LBP	S	220-240V 50Hz ~1	RSIR	P	C	37	57	81	0.81	184	96	1.06	7.91	Lb	
GL45AAb	4.56	1/8	LBP	S	220-240V 50Hz ~1	CSIR	R	C-V	37	57	81	0.81	184	96	1.06	8.06	Lb	
GL45ANa	4.56	1/8	LBP	S	200-240/220-230V 50/60Hz ~1	RSIR	P	C	36	56	80	0.78	184	95	1.03	8.42	Lb	
GLY45AAa	4.56	1/8	LBP	S	220-240V 50Hz ~1	RSIR	P	C	46	65	89	1.01	192	104	1.30	9.08	Lb	
GLY45AAb	4.56	1/8	LBP	S	220-240V 50Hz ~1	RSCR	P	C	47	66	90	1.05	193	105	1.36	9.19	Lb	
GL60AAa	5.98	1/6	LBP	S	220-240V 50Hz ~1	RSIR	P	C	50	75	107	0.85	239	126	1.10	8.45	Lb	
GL60AAb	5.98	1/6	LBP	S	220-240V 50Hz ~1	CSIR	R	C-V	50	75	107	0.85	239	126	1.10	8.60	Lb	
GL60ANa	5.98	1/6	LBP	S	200-240/220-230V 50/60Hz ~1	RSIR	P	C	57	82	114	0.83	244	133	1.09	9.11	Lc	
GL60ANb	5.98	1/6	LBP	F	200-240/220-230V 50/60Hz ~1	CSIR	R	C-V	82	94	116	0.84	244	133	1.09	9.26	Lc	
GL60ANc	5.98	1/6	LBP	S	200-240/220-230V 50/60Hz ~1	CSIR	R	C-V	82	94	116	0.84	244	133	1.09	9.26	Lc	
GLY60AAa	5.98	1/6	LBP	S	220-240V 50Hz ~1	RSIR	P	C	58	85	119	1.04	255	139	1.34	8.49	Lb	
GLY60AAb	5.98	1/6	LBP	S	220-240V 50Hz ~1	RSCR	P	C	59	86	120	1.10	255	140	1.42	8.60	Lb	
GLY70AAa	6.65	1/5	LBP	S	220-240V 50Hz ~1	RSIR	P	C	66	96	133	1.03	289	156	1.33	9.09	Lc	
GLY70AAb	6.65	1/5	LBP	S	220-240V 50Hz ~1	RSCR	P	C	66	96	133	1.08	289	156	1.40	9.20	Lc	
GL80AAa	8.10	1/5	LBP	S	220-240V 50Hz ~1	RSIR	P	C	68	102	144	0.89	326	170	1.15	8.98	Lc	
GL80AAb	8.10	1/5	LBP	S	220-240V 50Hz ~1	CSIR	R	C-V	68	102	144	0.89	326	170	1.15	9.13	Lc	
GL80ANa	8.10	1/5	LBP	S	200-220/220-230V 50/60Hz ~1	RSIR	P	C	76	107	148	0.83	331	174	1.09	9.75	Lc	
GL80ANb	8.10	1/5	LBP	F	200-220/220-230V 50/60Hz ~1	CSIR	R	C-V	76	107	148	0.83	331	174	1.09	9.90	Lc	
GL80ANc	8.10	1/5	LBP	S	200-220/220-230V 50/60Hz ~1	CSIR	R	C-V	76	107	148	0.83	331	174	1.09	9.90	Lc	
GLY80AAa	8.10	1/5	LBP	S	220-240V 50Hz ~1	RSIR	P	C	92	123	164	1.07	349	191	1.37	9.51	Lc	
GLY80AAb	8.10	1/5	LBP	S	220-240V 50Hz ~1	RSCR	P	C	93	124	165	1.13	351	192	1.45	9.62	Lc	
GL90AAa	9.09	1/4	LBP	S	220-240V 50Hz ~1	RSIR	P	C	82	120	165	0.90	351	193	1.15	9.39	Lc	
GL90AAb	9.09	1/4	LBP	S	220-240V 50Hz ~1	CSIR	R	C-V	82	120	165	0.90	351	193	1.15	9.54	Lc	
GL90ANa	9.09	1/4	LBP	S	200-220/220-230V 50/60Hz ~1	RSIR	P	C	85	118	163	0.84	366	191	1.10	10.33	Ld	
GL90ANb	9.09	1/4	LBP	F	200-220/220-230V 50/60Hz ~1	CSIR	R	C-V	85	118	163	0.84	366	191	1.10	10.48	Ld	
GL90ANc	9.09	1/4	LBP	S	200-220/220-230V 50/60Hz ~1	CSIR	R	C-V	85	118	163	0.84	366	191	1.10	10.48	Ld	
GLY90AAa	9.09	1/4	LBP	S	220-240V 50Hz ~1	RSIR	P	C	104	140	186	1.07	387	216	1.37	9.43	Lc	
GLY90AAb	9.09	1/4	LBP	S	220-240V 50Hz ~1	RSCR	P	C	104	140	187	1.13	388	217	1.45	9.54	Lc	
GL99AAa	9.95	1/4	LBP	S	220-240V 50Hz ~1	RSIR	P	C	83	125	175	0.92	377	205	1.19	9.64	Ld	
GL99AAb	9.95	1/4	LBP	S	220-240V 50Hz ~1	CSIR	R	C-V	83	125	175	0.92	377	205	1.19	9.79	Ld	
GLM12La	10.7	3/8	LBP	F	220-240V 50Hz ~1	CSIR	R	C-V	98	143	200	0.92	445	235	1.19	10.06	Ld	
GLM12Lab	10.7	3/8	LBP	F	220-240V 50Hz ~1	CSR	R	C-V	98	145	204	0.99	451	240	1.29	10.16	Ld	
GPY12AAa	12.1	3/8	LBP	S	220-240V 50Hz ~1	RSIR	P	C	128	178	241	0.96	500	280	1.23	12.07	Pd	
GPY12AAb	12.1	3/8	LBP	S	220-240V 50Hz ~1	RSCR	P	C	128	178	241	1.04	500	280	1.33	12.18	Pd	
GPY12La	12.1	3/8	LBP	F	220-240V 50Hz ~1	CSIR	R	C-V	113	162	225	1.00	509	265	1.30	12.78	Pd	
GPY12Lab	12.1	3/8	LBP	F	220-240V 50Hz ~1	CSR	R	C-V	113	162	225	1.06	509	265	1.38	12.89	Pd	
GP14CB	14.17	3/8	LBP	F	220-240V 50Hz ~1	RSIR	R	C	99	158	228	0.90	509	270	1.16	10.21	Pc	
GP14CG	14.17	3/8	LBP	F	200-220/220-230V 50/60Hz ~1	RSIR	R	C	99	158	228	0.83	509	270	1.08	10.62	Pc	
GP14FB	14.17	3/8	LBP	F	220-240V 50Hz ~1	CSIR	R	C-V	99	157	228	0.90	509	269	1.16	10.36	Pc	
GP14FC	14.17	3/8	LBP	F	100V 50/60Hz ~1	CSIR	R	C-V	106	160	229	0.81	519	270	1.06	12.20	Pd	
GP16CB	16.15	3/8	LBP	F	220-240V 50Hz ~1	RSIR	R	C	109	182	266	0.89	585	315	1.14	12.70	Pd	

Green Cooling Models
New Models













(*) Or HFO1234yf
R134a: W (A) x 1.18 = kcal/h (B) R134a: W (C) x 1.02 = kcal/h (D) W x 0.86 = kcal /h
(**) Under development

This table continues in the following page

R134a (*) LBP • 50 Hz

MODEL	DISPLACEMENT cm ³	POWER hp	APPLICATION	CPR COOLING	VOLTAGE FREQUENCY	MOTOR	STARTING	EXPANSION	REFRIGERATION CAPACITY							WEIGHT Kg	DESIGN
									COP in W/W 1 W = 0,864 kcal/h = 3,415 BTU/h Evaporating Temperature °C								
									Cecomaf (W)				Ashrae				
									-35	-30	-25		-10	-23.3			
											W	COP		kcal/h	COP		
GP16FB	16.15	3/8	LBP	F	220-240V 50Hz ~1	CSIR	R	C-V	109	182	266	0.89	585	315	1.14	11.79	Pd
GP16FC	16.15	3/8	LBP	F	100V 50/60Hz ~1	CSIR	R	C-V	109	182	266	0.78	585	315	1.02	13.61	Pd
 GPY16Laa	16.15	3/8	LBP	F	220-240V 50Hz ~1	CSIR	R	C-V	151	220	306	1.02	677	360	1.32	11.73	Pd
 GPY16LAb	16.15	3/8	LBP	F	220-240V 50Hz ~1	CSR	R	C-V	151	220	306	1.09	677	360	1.42	11.83	Pd
GX21FB	20.72	2/3	LBP	F	220-240V 50Hz ~1	CSIR	R	C-V	151	243	351	0.93	778	415	1.20	15.75	Xc

R134a (*) LBP | LMBP • 60 Hz

MODEL	DISPLACEMENT cm ³	POWER hp	APPLICATION	CPR COOLING	VOLTAGE FREQUENCY	MOTOR	STARTING	EXPANSION	REFRIGERATION CAPACITY							WEIGHT Kg	DESIGN
									COP in W/W 1 W = 0,864 kcal/h = 3,415 BTU/h Evaporating Temperature °C								
									Cecomaf (W)				Ashrae				
									-35	-30	-25		-10	-23.3			
											W	COP		kcal/h	COP		
 L22H5	2.20	1/20	LBP	S	110-120V 60Hz ~1	RSIR	P	C	19	28	39	0.56	87	46	0.75	3.60	Lb
L30HL	3.10	1/12	LBP	S	220-240V 50/60Hz ~1	RSIR	P	C	26	39	55	0.80	123	64	1.04	4.20	Lc
 L30H5L	3.10	1/12	LBP	S	110-120V 60Hz ~1	RSIR	P	C	27	40	57	0.73	127	67	0.95	3.85	Lc
B38H	3.80	1/12	LBP	S	220-240V 60Hz ~1	RSIR	P	C	34	50	71	0.96	158	83	1.10	4.60	Bb
B38H5	3.80	1/12	LBP	S	110-115V 60Hz ~1	RSIR	P	C	34	50	71	0.96	158	83	1.10	5.00	Bc
 B38H5L	3.80	1/12	LBP	S	110-120V 60Hz ~1	RSIR	P	C	34	50	71	0.81	158	83	1.05	4.60	Bc
 B43H	4.30	1/10	LBP	S	220-240V 50/60Hz ~1	RSIR	P	C	39	58	81	0.96	181	95	1.10	5.40	Bc
 B43HB	4.30	1/10	LBP	S	220-240V 60Hz ~1	RSCR	P	C	39	58	81	1.00	181	95	1.30	5.20	Bc
 B43H5L	4.30	1/10	LBP	S	110-120V 60Hz ~1	RSIR	P	C	39	58	81	0.81	181	95	1.05	5.00	Bc
GL45ADa	4.56	1/8	LBP	S	115V 60Hz ~1	RSIR	P	C	42	65	95	0.80	215	112	1.05	8.19	Lb
GL45ADb	4.56	1/8	LBP	S	115V 60Hz ~1	CSIR	R	C-V	42	65	95	0.80	215	112	1.05	8.34	Lb
GL45ANa	4.56	1/8	LBP	S	200-240/220-230V 50/60Hz ~1	RSIR	P	C	43	65	93	0.83	213	110	1.09	8.42	Lb
GL60ADa	5.98	1/6	LBP	S	115V 60Hz ~1	RSIR	P	C	65	95	132	0.85	290	155	1.10	9.48	Lb
GL60ADb	5.98	1/6	LBP	S	115V 60Hz ~1	CSIR	R	C-V	65	95	132	0.85	290	155	1.10	9.63	Lb
GL60ANa	5.98	1/6	LBP	S	200-240/220-230V 50/60Hz ~1	RSIR	P	C	95	108	133	0.89	285	153	1.15	9.11	Lc
GL60ANb	5.98	1/6	LBP	F	200-240/220-230V 50/60Hz ~1	CSIR	R	C-V	95	108	133	0.89	285	153	1.15	9.26	Lc
GL60ANc	5.98	1/6	LBP	S	200-240/220-230V 50/60Hz ~1	CSIR	R	C-V	95	108	133	0.89	285	153	1.15	9.26	Lc
 GUY60NRb	6.00	1/5	LMBP	F	115-127V 60Hz ~1	CSIR	R	C-V	80	113	158	1.15	362	185	1.49	9.00	Ub
 GUY60NRc	6.00	1/5	LMBP	S	115-127V 60Hz ~1	CSIR	R	C-V	80	113	158	1.15	362	185	1.49	9.00	Ub
 GUY70NRb	6.70	1/5	LMBP	F	115-127V 60Hz ~1	CSIR	R	C	86	121	166	1.15	386	194	1.49	9.30	Ub
 GUY70NRc	6.70	1/5	LMBP	S	115-127V 60Hz ~1	CSIR	R	C	86	121	166	1.15	386	194	1.49	9.30	Ub
GL80ADa	8.10	1/5	LBP	S	115V 60Hz ~1	RSIR	P	C	84	122	171	0.87	384	201	1.13	9.81	Lc
GL80ADb	8.10	1/5	LBP	S	115V 60Hz ~1	CSIR	R	C-V	84	122	171	0.87	384	201	1.13	9.96	Lc
GL80ANa	8.10	1/5	LBP	S	200-220/220-230V 50/60Hz ~1	RSIR	P	C	87	124	172	0.92	385	202	1.19	9.75	Lc
GL80ANb	8.10	1/5	LBP	F	200-220/220-230V 50/60Hz ~1	CSIR	R	C-V	87	124	172	0.92	385	202	1.19	9.90	Lc
GL80ANc	8.10	1/5	LBP	S	200-220/220-230V 50/60Hz ~1	CSIR	R	C-V	87	124	172	0.92	385	202	1.19	9.90	Lc
 GUY80NRb	8.10	1/4	LMBP	F	115-127V 60Hz ~1	CSIR	R	C-V	107	151	209	1.14	480	245	1.49	9.60	Ub
 GUY80NRc	8.10	1/4	LMBP	S	115-127V 60Hz ~1	CSIR	R	C-V	107	151	209	1.14	480	245	1.49	9.60	Ub
GL90ADa	9.09	1/4	LBP	S	115V 60Hz ~1	RSIR	P	C	97	138	191	0.88	420	224	1.14	11.11	Ld
GL90ADb	9.09	1/4	LBP	S	115V 60Hz ~1	CSIR	R	C-V	97	138	191	0.88	420	224	1.14	11.26	Ld
GL90ANa	9.09	1/4	LBP	S	200-220/220-230V 50/60Hz ~1	RSIR	P	C	96	134	185	0.93	421	218	1.20	10.33	Ld
GL90ANb	9.09	1/4	LBP	F	200-220/220-230V 50/60Hz ~1	CSIR	R	C-V	96	134	185	0.93	421	218	1.20	10.48	Ld

 Green Cooling Models

(*) Or HF01234yf

R134a: W (A) x 1.18 = kcal/h (B)

R134a: W (C) x 1.02 = kcal/h (D)





W x 0.86 = kcal/h

(**) Under development















This table continues in the following page

 New Models

R134a (*) LBP | LMBP • 60 Hz

MODEL	DISPLACEMENT cm ³	POWER hp	APPLICATION	CPR COOLING	VOLTAGE FREQUENCY	MOTOR	STARTING	EXPANSION	REFRIGERATION CAPACITY								WEIGHT Kg	DESIGN
									COP in W/W 1 W = 0,864 kcal/h = 3,415 BTU/h Evaporating Temperature °C									
									Cecomaf (W)				Ashrae					
									-35	-30	-25		-10	-23.3				
											W	COP		kcal/h	COP			
GL90ANc	9.09	1/4	LBP	S	200-220/220-230V 50/60Hz ~1	CSIR	R	C-V	96	134	185	0.93	421	218	1.20	10.48	Ld	
GL99ADa	9.95	1/4	LBP	S	115V 60Hz ~1	RSIR	P	C	102	148	205	0.89	439	240	1.15	11.44	Ld	
GL99ADb	9.95	1/4	LBP	S	115V 60Hz ~1	CSIR	R	C-V	102	148	205	0.89	439	240	1.15	11.59	Ld	
 GLY12NRa	10.70	3/8	LMBP	F	115-127V 60Hz ~1	CSIR	R	C-V	119	173	239	1.03	512	280	1.34	11.20	Ld	
 GLY12NRb	10.70	3/8	LMBP	F	115-127V 60Hz ~1	CSR	R	C-V	119	173	239	1.09	512	280	1.42	11.20	Ld	
GP14CG	14.17	3/8	LBP	F	200-220/220-230V 50/60Hz ~1	RSIR	R	C	113	181	262	0.91	589	310	1.18	10.62	Pc	
GP14FC	14.17	3/8	LBP	F	100V 50/60Hz ~1	CSIR	R	C-V	122	187	268	0.94	598	316	1.23	12.20	Pd	
GP14FE	14.17	3/8	LBP	F	115V 60Hz ~1	CSIR	R	C-V	119	186	267	0.84	603	316	1.11	12.35	Pd	
 GPY14NDa (**)	14.32	3/8	LMBP	F	115V 60Hz ~1	CSIR	R	C-V	141	221	317	0.90	716	375	1.17	12.20	Pd	
 GPY14NDb (**)	14.32	3/8	LMBP	F	115V 60Hz ~1	CSR	R	C-V	141	221	317	0.96	716	375	1.25	12.35	Pd	
GP16FC	16.15	3/8	LBP	F	100V 50/60Hz ~1	CSIR	R	C-V	125	209	306	0.88	672	362	1.14	13.61	Pd	
GP16FE	16.15	3/8	LBP	F	115V 60Hz ~1	CSIR	R	C-V	125	209	306	0.77	672	362	1.00	13.56	Pd	

R134a (*) HMBP | HBP • 50 Hz

MODEL	DISPLACEMENT cm ³	POWER hp	APPLICATION	CPR COOLING	VOLTAGE FREQUENCY	MOTOR	STARTING	EXPANSION	REFRIGERATION CAPACITY								WEIGHT Kg	DESIGN
									COP in W/W 1 W = 0,864 kcal/h = 3,415 BTU/h Evaporating Temperature °C									
									Cecomaf (W)				Ashrae					
									-25	-15	5		10	7.2				
											W	COP		kcal/h	COP			
 B22G	2.20	1/14	HBP	S-F	220-240V 50Hz ~1	RSIR	P	C	-	60	152	1.64	192	160	1.94	4.60	Bb	
 B25G	2.60	1/14	HBP	S-F	220-240V 50Hz ~1	RSIR	P	C	-	76	202	1.53	243	208	2.08	4.60	Bb	
 B25GL (**)	2.60	1/14	HBP	S-F	220-240V 50Hz ~1	CSIR	R	C-V	-	70	190	1.84	228	196	2.14	5.50	Be	
 B30G	3.10	1/10	HBP	S-F	220-240V 50Hz ~1	RSIR	P	C	-	83	229	1.77	270	234	1.77	4.80	Bc	
 B30G	3.10	1/10	HBP	S-F	220-240V 50Hz ~1	CSIR	R	C-V	-	83	229	1.77	270	234	1.77	4.80	Bc	
 B35GL (**)	3.50	1/10	HBP	S-F	220-240V 50Hz ~1	CSIR	R	C-V	-	100	269	1.87	323	278	2.18	5.50	Be	
 B38G	3.80	1/8	HBP	S-F	220-240V 50Hz ~1	CSIR	R	C-V	-	129	291	1.91	347	298	2.23	5.00	Bc	
 B43GL	4.30	1/6	HBP	S-F	220-240V 50Hz ~1	RSIR	P	C	-	122	348	1.75	422	360	1.77	5.30	Be	
GL45MG	4.56	1/6	HBP	S	230V 50/60Hz ~1	CSIR	R	C-V	-	175	340	1.67	415	352	1.95	9.37	Lb	
GL45PB	4.56	1/6	HMBP	F	220-240V 50Hz ~1	RSIR	R	C	76	134	341	1.61	412	352	1.86	7.76	Lb	
GL45TB	4.56	1/6	HMBP	F	220-240V 50Hz ~1	CSIR	R	C-V	76	134	341	1.61	412	352	1.86	8.04	Lb	
GL45TG	4.56	1/6	HMBP	F	200-240/220-230V 50/60Hz ~1	CSIR	R	C-V	76	134	341	1.67	412	352	1.95	9.15	Lb	
 GLY45RAa	4.56	1/6	HMBP	F	220-240V 50Hz ~1	CSIR	R	C-V	71	139	373	1.93	452	385	2.25	8.75	Lb	
 GLY45RAb	4.56	1/6	HMBP	F	220-240V 50Hz ~1	CSR	R	C-V	71	139	373	2.10	452	385	2.45	8.85	Lb	
GL60MG	5.98	1/5	HBP	S	230V 50/60Hz ~1	CSIR	R	C-V	-	206	427	1.70	530	445	1.99	9.00	Lc	
GL60PB	5.68	1/5	HMBP	F	220-240V 50Hz ~1	RSIR	R	C	95	170	436	1.81	527	450	2.09	8.34	Lb	
GL60TB	5.68	1/5	HMBP	F	220-240V 50Hz ~1	CSIR	R	C-V	95	170	436	1.81	527	450	2.09	8.65	Lb	
GL60TC	5.68	1/5	HMBP	F	100V 50/60Hz ~1	CSIR	R	C-V	95	170	436	1.72	527	450	2.01	10.38	Lc	
GL60TG	5.68	1/5	HMBP	F	200-240/220-230V 50/60Hz ~1	CSIR	R	C-V	95	170	436	1.81	527	450	2.09	9.07	Lc	
 GLY60RAa	5.98	1/5	HMBP	F	220-240V 50Hz ~1	CSIR	R	C-V	106	190	485	2.04	585	500	2.36	10.47	Lc	
 GLY60RAb	5.98	1/5	HMBP	F	220-240V 50Hz ~1	CSR	R	C-V	106	190	485	2.24	585	500	2.60	10.58	Lc	
 GUY60RAa	6.00	1/5	HMBP	F	220-240V 50Hz ~1	CSIR	R	C-V	126	221	540	2.32	646	554	2.70	9.04	Ub	
 GUY60RAb	6.00	1/5	HMBP	F	220-240V 50Hz ~1	CSR	R	C-V	126	222	545	2.53	653	560	2.95	9.16	Ub	
GL80MG	7.57	1/5	HBP	S	230V 50/60Hz ~1	CSIR	R	C-V	-	286	576	1.78	714	600	2.10	9.53	Lc	
GL80PB	7.57	1/5	HMBP	F	220-240V 50Hz ~1	RSIR	R	C	111	212	553	1.81	667	570	2.10	8.88	Lc	

 Green Cooling Models

(*) Or HFO1234yf

R134a: W (A) x 1.18 = kcal/h (B)

R134a: W (C) x 1.02 = kcal/h (D)

W x 0.86 = kcal /h

(**) Under development

This table continues in the following page

R134a (*) HMBP | HBP • 50 Hz

MODEL	DISPLACEMENT cm ³	POWER hp	APPLICATION	CPR COOLING	VOLTAGE FREQUENCY	MOTOR	STARTING	EXPANSION	REFRIGERATION CAPACITY						WEIGHT Kg	DESIGN	
									COP in W/W 1 W = 0,864 kcal/h = 3,415 BTU/h Evaporating Temperature °C								
									Cecomaf (W)				Ashrae				
									-25	-15	5		10	7.2			
											W	COP		kcal/h			COP
GL80TB	7.57	1/5	HMBP	F	220-240V 50Hz ~1	CSIR	R	C-V	111	212	553	1.81	667	570	2.10	9.19	Lc
GL80TC	7.57	1/5	HMBP	F	100V 50/60Hz ~1	CSIR	R	C-V	111	212	553	1.85	667	570	2.21	10.98	Lc
GL80TG	7.57	1/5	HMBP	F	200-220/220-230V 50/60Hz ~1	CSIR	R	C-V	111	212	553	1.81	667	570	2.10	9.53	Lc
GLY80RAa	8.10	1/5	HMBP	F	220-240V 50Hz ~1	CSIR	R	C-V	159	275	680	2.16	818	700	2.51	10.10	Lc
GLY80RAb	8.10	1/5	HMBP	F	220-240V 50Hz ~1	CSR	R	C-V	159	275	680	2.33	818	700	2.71	10.21	Lc
GUY80RAa	8.10	1/4	HMBP	F	220-240V 50Hz ~1	CSIR	R	C-V	174	302	720	2.22	859	738	2.56	9.70	Ub
GUY80RAb	8.10	1/4	HMBP	F	220-240V 50Hz ~1	CSR	R	C-V	177	304	727	2.38	868	745	2.75	9.80	Ub
GL90MG	8.85	1/4	HBP	S	230V 50/60Hz ~1	CSIR	R	C-V	-	328	661	1.79	810	685	2.10	10.61	Ld
GL90PB	8.85	1/4	HMBP	F	220-240V 50Hz ~1	RSIR	R	C	143	259	660	1.90	796	680	2.20	9.12	Ld
GL90TB	8.85	1/4	HMBP	F	220-240V 50Hz ~1	CSIR	R	C-V	143	259	660	1.90	796	680	2.20	9.66	Lc
GL90TC	8.85	1/4	HMBP	F	100V 50/60Hz ~1	CSIR	R	C-V	143	259	660	1.75	796	680	2.08	11.48	Ld
GL90TG	8.85	1/4	HMBP	F	200-220/220-230V 50/60Hz ~1	CSIR	R	C-V	143	259	660	1.80	796	680	2.08	9.70	Ld
GLY90RAa	9.09	1/4	HMBP	F	220-240V 50Hz ~1	CSIR	R	C-V	169	298	748	2.05	901	770	2.37	10.74	Lc
GLY90RAb	9.09	1/4	HMBP	F	220-240V 50Hz ~1	CSR	R	C-V	169	298	748	2.25	901	770	2.61	10.84	Lc
GUY90RAa	8.80	1/4	HMBP	F	220-240V 50Hz ~1	CSIR	R	C-V	182	317	775	2.21	929	796	2.56	9.70	Ub
GUY90RAb	8.80	1/4	HMBP	F	220-240V 50Hz ~1	CSR	R	C-V	180	319	783	2.35	938	804	2.73	9.80	Ub
GL11TB	9.95	1/3	HMBP	F	220-240V 50Hz ~1	CSIR	R	C-V	190	330	817	1.92	981	840	2.23	9.97	Ld
GLY12RAa	10.70	3/8	HBP	F	220-240V 50Hz ~1	CSIR	R	C-V	-	349	867	1.97	1064	900	2.30	10.23	Ld
GLY12RAb	10.70	3/8	HBP	F	220-240V 50Hz ~1	CSR	R	C-V	-	349	867	2.20	1064	900	2.57	10.33	Ld
GLY12RGa	10.70	3/8	HBP	F	200-220/220-230V 50/60Hz ~1	CSIR	R	C-V	-	349	867	1.87	1064	900	2.19	10.43	Ld
GLY12RGb	10.70	3/8	HBP	F	200-220/220-230V 50/60Hz ~1	CSR	R	C-V	-	349	867	1.98	1064	900	2.32	10.53	Ld
GPY12RAa	12.10	3/8	HMBP	F	220-240V 50Hz ~1	CSIR	R	C-V	228	401	992	2.03	1191	1020	2.35	13.31	Pd
GPY12RAb	12.10	3/8	HMBP	F	220-240V 50Hz ~1	CSR	R	C-V	228	401	992	2.23	1191	1020	2.58	13.42	Pd
GP14PB	14.17	3/8	HMBP	F	220-240V 50Hz ~1	RSIR	R	C	190	373	998	1.76	1208	1030	2.03	12.07	Pd
GP14TB	14.17	3/8	HBP	F	220-240V 50Hz ~1	CSIR	R	C-V	191	373	998	1.76	1208	1030	2.03	11.29	Pd
GP14TG	14.17	3/8	HMBP	F	200-220/220-230V 50/60Hz ~1	CSIR	R	C-V	190	373	998	1.76	1208	1030	2.03	11.98	Pd
GPY14RAa	14.32	3/8	HMBP	F	220-240V 50Hz ~1	CSIR	R	C-V	296	492	1161	1.97	1386	1190	2.27	12.20	Pd
GPY14RAb	14.32	3/8	HMBP	F	220-240V 50Hz ~1	CSR	R	C-V	296	492	1161	2.16	1386	1190	2.50	12.30	Pd
GP16TB	16.15	3/8	HBP	F	220-240V 50Hz ~1	CSIR	R	C-V	-	476	1204	1.80	1451	1240	2.09	11.93	Pd
GP16TG	16.15	3/8	HBP	F	200-220/230V 50/60Hz ~1	CSIR	R	C-V	-	476	1204	1.81	1451	1240	2.09	11.93	Pd
GPM16RA	16.15	1/2	HBP	F	220-240V 50Hz ~1	CSIR	R	C-V	-	543	1317	1.79	1574	1351	2.09	12.29	Pd
GPY16RAa	16.15	1/2	HMBP	F	220-240V 50Hz ~1	CSIR	R	C-V	307	542	1317	2.02	1574	1351	2.34	12.84	Pd
GPY16RAb	16.15	1/2	HMBP	F	220-240V 50Hz ~1	CSR	R	C-V	307	542	1317	2.15	1574	1351	2.50	12.94	Pd
GPT16RG	16.15	1/2	HBP	F	200-220/220-230V 50/60Hz ~1	CSR	R	C-V	-	552	1323	2.13	1600	1364	2.50	12.16	Pd
GPT18RA	18.00	1/2	HBP	F	220-240V 50Hz ~1	CSR	R	C-V	-	618	1482	2.06	1783	1525	2.39	12.68	Pd
GX18TB	18.40	1/2	HMBP	F	220-240V 50Hz ~1	CSIR	R	C-V	286	539	1389	1.90	1673	1430	2.20	15.44	Xc
GX18TG	18.40	1/2	HMBP	F	200-220/220-230V 50/60Hz ~1	CSIR	R	C-V	286	539	1389	1.90	1673	1430	2.20	16.08	Xc
GX21TB	20.72	5/8	HMBP	F	220-240V 50Hz ~1	CSIR	R	C-V	323	603	1549	1.88	1866	1595	2.18	16.13	Xd
GX23TB	23.20	5/8	HMBP	F	220-240V 50Hz ~1	CSIR	R	C-V	368	677	1729	1.88	2082	1780	2.18	16.33	Xd
GX23TG	23.20	5/8	HMBP	F	200-220/220-230V 50/60Hz ~1	CSIR	R	C-V	368	677	1729	1.79	2082	1780	2.08	16.34	Xd
GS26T3	25.93	3/4	HMBP	F	400/440V 50/60Hz ~3	3PHASE	P	C-V	265	703	2070	2.19	2514	2140	2.55	22.70	Sc
GS26TB	25.93	3/4	HMBP	F	220-240V 50Hz ~1	CSIR	R	C-V	265	703	2070	2.08	2514	2140	2.42	22.70	Sc
GS26TG	25.93	3/4	HMBP	F	200-220/220-230V 50/60Hz ~1	CSIR	R	C-V	265	703	2070	2.14	2514	2140	2.49	22.70	Sc
GS30TB	29.95	7/8	HMBP	F	220-240V 50Hz ~1	CSR	R	C-V	317	785	2451	2.31	3019	2550	2.70	22.70	Sd
GS30TG	29.95	7/8	HMBP	F	200-220/220-230V 50/60Hz ~1	CSR	R	C-V	317	785	2451	2.31	3019	2550	2.70	23.00	Sd
GS34TB	34.42	1	HMBP	F	220-240V 50Hz ~1	CSR	R	C-V	476	1068	2850	2.26	3420	2930	2.62	21.35	Sd
GS34TG	34.42	1	HMBP	F	200-220/220-230V 50/60Hz ~1	CSR	R	C-V	467	992	2829	2.24	3453	2931	2.64	22.27	Sd

Green Cooling Models
New Models

(*) Or HF01234yf
R134a: W (A) x 1.18 = kcal/h (B) R134a: W (C) x 1.02 = kcal/h (D) W x 0.86 = kcal/h
(**) Under development

R134a (*) HMBP | HBP • 60 Hz

MODEL	DISPLACEMENT cm ³	POWER hp	APPLICATION	CPR COOLING	VOLTAGE FREQUENCY	MOTOR	STARTING	EXPANSION	REFRIGERATION CAPACITY								WEIGHT Kg	DESIGN
									COP in W/W 1 W = 0,864 kcal/h = 3,415 BTU/h Evaporating Temperature °C									
									Cecomaf (W)				Ashrae					
									-25	-15	5		10	7.2				
											W	COP		kcal/h	COP			
B22G5	2.20	1/16	HBP	S-F	110-115V 60Hz ~1	RSIR	P	C	-	72	188	1.83	229	194	2.13	4.60	Bb	
B25G5L (**)	2.60	1/14	HBP	S-F	110-115V 60Hz ~1	CSIR	R	C-V	-	88	231	1.93	283	240	2.27	5.70	Be	
B30G5	3.10	1/12	HBP	S-F	110-115V 60Hz ~1	RSIR	P	C	-	100	262	1.55	317	270	1.80	5.00	Bb	
B35G5	3.50	1/10	HBP	S-F	110-120V 60Hz ~1	RSIR	R	C-V	-	120	304	1.80	371	315	2.12	5.00	Bb	
B35G5L	3.50	1/10	HBP	S-F	110-120V 60Hz ~1	CSIR	R	C-V	-	120	304	1.80	371	315	2.12	5.00	Bb	
B38G5L (**)	3.80	1/8	HBP	S-F	110-115V 60Hz ~1	CSIR	R	C-V	-	136	353	1.83	424	363	2.13	5.70	Be	
GL45PE	4.56	1/6	HMBP	F	115V 60Hz ~1	RSIR	R	C	89	157	400	1.59	483	412	1.84	8.87	Lb	
GL45TE	4.56	1/6	HMBP	F	115V 60Hz ~1	CSIR	R	C-V	89	157	400	1.59	483	412	1.84	9.18	Lb	
GL45TG	4.56	1/6	HMBP	F	200-240/220-230V 50/60Hz ~1	CSIR	R	C-V	89	157	400	1.65	483	412	1.92	9.15	Lb	
GL45MG	4.56	1/6	HBP	S	230V 50/60Hz ~1	CSIR	R	C-V	-	204	398	1.65	487	412	1.92	9.37	Lb	
GL60MG	5.98	1/5	HBP	S	230V 50/60Hz ~1	CSIR	R	C-V	-	243	499	1.73	619	520	2.02	9.00	Lc	
GL60PE	5.68	1/5	HMBP	F	115V 60Hz ~1	RSIR	R	C	111	199	510	1.73	616	526	2.01	9.97	Lc	
GL60TC	5.68	1/5	HMBP	F	100V 50/60Hz ~1	CSIR	R	C-V	111	199	510	1.74	616	526	2.01	10.38	Lc	
GL60TE	5.68	1/5	HMBP	F	115V 60Hz ~1	CSIR	R	C-V	111	199	510	1.73	616	526	2.01	10.28	Lc	
GL60TG	5.68	1/5	HMBP	F	200-240/220-230V 50/60Hz ~1	CSIR	R	C-V	111	199	510	1.76	616	526	2.04	9.07	Lc	
GL80MG	7.57	1/5	HBP	S	230V 50/60Hz ~1	CSIR	R	C-V	-	344	674	1.84	836	702	2.15	9.53	Lc	
GL80PE	7.57	1/5	HMBP	F	115V 60Hz ~1	RSIR	R	C	130	248	647	1.78	781	667	2.04	9.97	Lc	
GL80TC	7.57	1/5	HMBP	F	100V 50/60Hz ~1	CSIR	R	C-V	130	248	647	1.92	781	667	2.22	10.98	Lc	
GL80TE	7.57	1/5	HMBP	F	115V 60Hz ~1	CSIR	R	C-V	130	248	647	1.78	781	667	2.04	10.68	Lc	
GL80TG	7.57	1/5	HMBP	F	200-220/220-230V 50/60Hz ~1	CSIR	R	C-V	130	248	647	1.78	781	667	2.04	9.53	Lc	
GLY80RDa	8.10	1/5	HMBP	F	115V 60Hz ~1	CSIR	R	C-V	169	299	775	2.02	939	800	2.34	10.33	Lc	
GLY80RDb	8.10	1/5	HMBP	F	115V 60Hz ~1	CSR	R	C-V	169	299	775	2.17	939	800	2.51	10.43	Lc	
GL90MG	8.85	1/4	HBP	S	230V 50/60Hz ~1	CSIR	R	C-V	-	391	772	1.83	947	800	2.11	10.61	Ld	
GL90PE	8.85	1/4	HMBP	F	115V 60Hz ~1	RSIR	R	C	167	303	773	1.78	932	796	2.06	11.27	Ld	
GL90TC	8.85	1/4	HMBP	F	100V 50/60Hz ~1	CSIR	R	C-V	167	303	773	1.82	932	796	2.1	11.48	Ld	
GL90TE	8.85	1/4	HMBP	F	115V 60Hz ~1	CSIR	R	C-V	167	303	773	1.78	932	796	2.06	9.75	Ld	
GL90TG	8.85	1/4	HMBP	F	200-220/220-230V 50/60Hz ~1	CSIR	R	C-V	168	303	773	1.71	932	796	1.97	9.70	Ld	
GLY90RDa	9.09	1/4	HMBP	F	115V 60Hz ~1	CSIR	R	C-V	198	348	874	1.95	1053	900	2.25	10.59	Lc	
GLY90RDb	9.09	1/4	HMBP	F	115V 60Hz ~1	CSR	R	C-V	198	348	874	2.10	1053	900	2.42	10.69	Lc	
GLY12RGa	10.70	3/8	HBP	F	200-220/220-230V 50/60Hz ~1	CSIR	R	C-V	-	405	1007	1.90	1216	1038	2.22	10.43	Ld	
GLY12RGb	10.70	3/8	HBP	F	200-220/220-230V 50/60Hz ~1	CSR	R	C-V	-	405	1007	2.07	1216	1038	2.40	10.53	Ld	
GLY12RRa	10.70	3/8	HMBP	F	115-127V 60Hz ~1	CSIR	R	C-V	222	402	1015	1.90	1221	1044	2.20	11.14	Ld	
GLY12RRb	10.70	3/8	HMBP	F	115-127V 60Hz ~1	CSR	R	C-V	222	402	1015	2.01	1221	1044	2.32	11.24	Ld	
GPY12RDa	12.10	3/8	HMBP	F	115V 60Hz ~1	CSIR	R	C-V	280	480	1150	1.95	1375	1180	2.25	12.03	Pd	
GPY12RDb	12.10	3/8	HMBP	F	115V 60Hz ~1	CSR	R	C-V	280	480	1150	2.11	1375	1180	2.44	12.13	Pd	
GP14PE	14.17	3/8	HMBP	F	115V 60Hz ~1	RSIR	R	C	222	437	1168	1.76	1413	1205	2.03	11.50	Pd	
GP14TE	14.17	3/8	HMBP	F	115V 60Hz ~1	CSIR	R	C-V	222	437	1168	1.76	1413	1205	2.03	12.18	Pd	
GP14TG	14.17	3/8	HMBP	F	200-220/220-230V 50/60Hz ~1	CSIR	R	C-V	222	437	1168	1.76	1413	1205	2.03	11.98	Pd	
GPY14RDa	14.32	1/2	HBP	F	115V 60Hz ~1	CSIR	R	C-V	-	317	1234	1.78	2012	1467	2.22	12.03	Pd	
GPY14RDb	14.32	1/2	HBP	F	115V 60Hz ~1	CSR	R	C-V	-	317	1234	1.89	2012	1467	2.36	12.13	Pd	
GP16TE	16.15	3/8	HBP	F	115V 60Hz ~1	CSIR	R	C-V	-	556	1408	1.69	1697	1450	1.96	12.20	Pd	
GP16TG	16.15	3/8	HBP	F	200-220/230V 50/60Hz ~1	CSIR	R	C-V	-	556	1408	1.74	1697	1450	2.00	11.93	Pd	
GPT16RG	16.15	1/2	HBP	F	200-220/220-230V 50/60Hz ~1	CSR	R	C-V	-	650	1515	2.02	1827	1560	2.33	12.16	Pd	
GPY16RDa	16.15	1/2	HBP	F	115V 60Hz ~1	CSIR	R	C-V	-	614	1518	1.88	1822	1560	2.17	12.05	Pd	
GPY16RDb	16.15	1/2	HBP	F	115V 60Hz ~1	CSR	R	C-V	-	614	1518	2.00	1822	1560	2.31	12.15	Pd	

Green Cooling Models
New Models

(*) Or HF01234yf
R134a: W (A) x 1.18 = kcal/h (B) R134a: W (C) x 1.02 = kcal/h (D) W x 0.86 = kcal/h
(**) Under development

This table continues in the following page

R134a (*) HMBP | HBP • 60 Hz

MODEL	DISPLACEMENT cm ³	POWER hp	APPLICATION	CPR COOLING	VOLTAGE FREQUENCY	MOTOR	STARTING	EXPANSION	REFRIGERATION CAPACITY						WEIGHT Kg	DESIGN	
									COP in W/W 1 W = 0,864 kcal/h = 3,415 BTU/h Evaporating Temperature °C								
									Cecomaf (W)			Ashrae					
									-25	-15	5		10	7.2			
											W	COP		kcal/h			COP
GX18TG	18.40	1/2	HMBP	F	200-220/220-230V 50/60Hz ~1	CSIR	R	C-V	333	630	1625	1.87	1957	1673	2.17	16.08	Xc
GX23TG	23.20	5/8	HMBP	F	200-220/220-230V 50/60Hz ~1	CSIR	R	C-V	429	792	2021	1.71	2433	2080	1.98	16.34	Xd
GS26T3	25.93	3/4	HMBP	F	400/440V 50/60Hz ~3	3PHASE	P	C-V	307	824	2419	2.07	2935	2500	2.40	22.70	Sc
GS26TG	25.93	3/4	HMBP	F	200-220/220-230V 50/60Hz ~1	CSIR	R	C-V	307	824	2419	2.06	2935	2500	2.40	22.70	Sc
GS30TG	29.95	7/8	HMBP	F	200-220/220-230V 50/60Hz ~1	CSR	R	C-V	370	920	2865	2.23	3527	2980	2.61	23.00	Sd
GS34TF	34.42	1	HMBP	F	220-230V 60Hz ~1	CSR	R	C-V	550	1247	3327	2.17	3990	3420	2.50	22.70	Sd
GS34TG	34.42	1	HMBP	F	200-220/220-230V 50/60Hz ~1	CSR	R	C-V	440	1093	3248	2.11	3963	3365	2.44	22.27	Sd

(*) Or HF01234yf

R134a: W (A) x 1.18 = kcal/h (B) R134a: W (C) x 1.02 = kcal/h (D) W x 0.86 = kcal /h

(**) Under development

Compressors
R134a

	Conditions			
	CECOMAF		ASHRAE	
	LBP (A)	HMBP/HBP (C)	LBP (B)	HMBP/HBP (D)
Evaporating temperature °C	-25	5	-23.3	7.2
Condensing temperature °C	55	55	55	55
Liquid temperature °C	55	55	32	46
Suction temperature °C	32	32	32	35
Ambient temperature °C	32	32	32	35

Measurement conversion

R134a

W (A) x 1.18 = kcal/h (B)

W (C) x 1.02 = kcal/h (D)

S compressor's range can be provided with tube or valve



















2.

Compressors Catalogue

R404A/R507

R404A • R507 (*) LBP • 50 Hz

MODEL	DISPLACEMENT cm ³	POWER hp	APPLICATION	CPR COOLING	VOLTAGE FREQUENCY	MOTOR	STARTING	EXPANSION	REFRIGERATION CAPACITY								WEIGHT Kg	DESIGN
									COP in W/W 1 W = 0,864 kcal/h = 3,415 BTU/h Evaporating Temperature °C									
									Cecomaf (W)				Ashrae					
									-40	-30	-25		-10	-23.3				
											W	COP		kcal/h	COP			
ML45FB	4.56	1/6	LBP	F	220-240V 50Hz ~1	CSIR	R	C-V	52	100	133	0.66	274	170	0.94	8.57	Lb	
ML45FG	4.56	1/6	LBP	F	200-240/220-230V 50/60Hz ~1	CSIR	R	C-V	52	100	133	0.68	274	170	0.96	10.87	Lc	
 MLY45LAa	4.56	1/6	LBP	F	220-240V 50Hz ~1	CSIR	R	C-V	61	118	157	0.92	317	200	1.30	9.55	Lc	
 MLY45LAb	4.56	1/6	LBP	F	220-240V 50Hz ~1	CSR	R	C-V	61	118	157	0.98	317	200	1.38	9.65	Lc	
ML60FB	5.98	1/5	LBP	F	220-240V 50Hz ~1	CSIR	R	C-V	69	139	186	0.85	371	236	1.20	8.88	Lc	
ML60FG	5.98	1/5	LBP	F	200-240/220-230V 50/60Hz ~1	CSIR	R	C-V	69	134	177	0.71	351	225	1.01	10.87	Lc	
 MLY60LAa	5.98	1/5	LBP	F	220-240V 50Hz ~1	CSIR	R	C-V	86	168	221	0.90	428	280	1.26	10.02	Lc	
 MLY60LAb	5.98	1/5	LBP	F	220-240V 50Hz ~1	CSR	R	C-V	86	168	221	0.96	428	280	1.36	10.12	Lc	
ML80FB	8.10	1/4	LBP	F	220-240V 50Hz ~1	CSIR	R	C-V	99	189	251	0.77	505	319	1.09	9.47	Lc	
ML80FG	8.10	1/4	LBP	F	200-220/220-230V 50/60Hz ~1	CSIR	R	C-V	99	190	252	0.77	505	320	1.08	12.2	Ld	
 MLY80LAa	8.10	1/4	LBP	F	220-240V 50Hz ~1	CSIR	R	C-V	104	207	275	0.91	548	350	1.28	11.00	Ld	
 MLY80LAb	8.10	1/4	LBP	F	220-240V 50Hz ~1	CSR	R	C-V	104	207	275	0.98	548	350	1.38	11.10	Ld	
ML90FB	8.85	1/3	LBP	F	220-240V 50Hz ~1	CSIR	R	C-V	104	207	275	0.83	548	350	1.16	9.74	Ld	
ML90FG	8.85	1/3	LBP	F	200-220/230V 50/60Hz ~1	CSIR	R	C-V	104	207	275	0.80	548	350	1.13	10.78	Ld	
 MLY90LAa	9.09	1/3	LBP	F	220-240V 50Hz ~1	CSIR	R	C-V	121	236	311	0.91	612	395	1.28	10.35	Ld	
 MLY90LAb	9.09	1/3	LBP	F	220-240V 50Hz ~1	CSR	R	C-V	121	236	311	0.98	612	395	1.38	10.45	Ld	
 MLY12LAa	10.70	3/8	LBP	F	220-240V 50Hz ~1	CSIR	R	C-V	156	294	387	0.94	762	490	1.33	10.85	Ld	
 MLY12LAb	10.70	3/8	LBP	F	220-240V 50Hz ~1	CSR	R	C-V	156	294	387	1.00	762	490	1.41	10.95	Ld	
 MLY12LGa	10.70	3/8	LBP	F	200-220/230V 50/60Hz ~1	CSIR	R	C-V	165	297	387	0.83	756	490	1.17	11.06	Ld	
 MLY12LGb	10.70	3/8	LBP	F	200-220/230V 50/60Hz ~1	CSR	R	C-V	165	302	394	0.90	768	499	1.28	11.16	Ld	
 MPT12LA	12.10	3/8	LBP	F	220-240V 50Hz ~1	CSR	R	C-V	194	347	451	1.01	873	570	1.42	12.23	Pd	
MP14FB	14.17	1/2	LBP	F	220-240V 50Hz ~1	CSIR	R	C-V	121	304	421	0.79	877	540	1.12	12.07	Pd	
MP14FG	14.17	1/2	LBP	F	200-220/230V 50/60Hz ~1	CSIR	R	C-V	121	303	420	0.79	877	539	1.12	12.03	Pd	
 MPT14LA	14.32	1/2	LBP	F	220-240V 50Hz ~1	CSR	R	C-V	242	419	534	0.99	984	670	1.38	12.25	Pd	
 MPT16LA	16.15	1/2	LBP	F	220-240V 50Hz ~1	CSR	R	C-V	245	462	605	1.00	1168	765	1.40	12.37	Pd	
 MPT18LA	18.00	1/2	LBP	F	220-240V 50Hz ~1	CSR	R	C-V	269	504	657	0.96	1260	830	1.35	12.81	Pd	
MX18FBa	18.40	5/8	LBP	F	220-240V 50Hz ~1	CSR	R	C-V	173	396	546	0.96	1147	700	1.36	16.29	Xd	
MX21FBa	20.72	3/4	LBP	F	220-240V 50Hz ~1	CSR	R	C-V	212	463	630	0.96	1296	805	1.35	16.66	Xd	
MX21FG	20.72	3/4	LBP	F	200-220/220-230V 50/60Hz ~1	CSR	R	C-V	212	463	630	0.96	1296	805	1.35	17.32	Xd	
MX23FBa	23.20	7/8	LBP	F	220-240V 50Hz ~1	CSR	R	C-V	259	534	718	0.96	1455	915	1.35	16.61	Xd	
MX23FG	23.20	7/8	LBP	F	200-220/220-230V 50/60Hz ~1	CSR	R	C-V	259	534	718	0.95	1455	915	1.34	17.50	Xd	
MS26F3	25.93	3/4	LBP	F	400/440V 50/60Hz ~3	3PHASE	P	C-V	173	548	777	0.95	1626	1000	1.35	20.8	Sd	
MS26FB	25.93	3/4	LBP	F	220-240V 50Hz ~1	CSR	R	C-V	182	571	814	0.97	1737	1050	1.37	21.63	Sd	
MS26FG	25.93	3/4	LBP	F	200-220/230V 50/60Hz ~1	CSR	R	C-V	173	548	777	0.95	1626	1000	1.35	22.60	Sd	
MS30F3	29.95	7/8	LBP	F	400/440V 50/60Hz ~3	3PHASE	P	C-V	207	655	931	0.93	1968	1200	1.32	24.00	Sd	
MS30FB	29.95	7/8	LBP	F	220-240V 50Hz ~1	CSR	R	C-V	207	656	932	0.95	1969	1201	1.35	22.70	Sd	
MS34F3	34.42	1	LBP	F	400/440V 50/60Hz ~3	3PHASE	P	C-V	242	762	1085	0.99	2311	1400	1.40	22.90	Sd	
MS34FB	34.42	1	LBP	F	220-240V 50Hz ~1	CSR	R	C-V	242	759	1083	0.95	2311	1397	1.35	22.13	Sd	

 Green Cooling Models

 New Models

(*) Or R407B


















R404A: W (A) x 1.29 = kcal/h (B)

R404A: W (C) x 1.08 = kcal/h (D)

W x 0.86 = kcal/h

(**) Under development

R404A • R507 (*) LBP • 60 Hz

MODEL	DISPLACEMENT cm ³	POWER hp	APPLICATION	CPR COOLING	VOLTAGE FREQUENCY	MOTOR	STARTING	EXPANSION	REFRIGERATION CAPACITY						WEIGHT Kg	DESIGN	
									COP in W/W 1 W = 0,864 kcal/h = 3,415 BTU/h Evaporating Temperature °C								
									Cecomaf (W)			Ashrae					
									-40	-30	-25		-10	-23.3			
											W	COP		kcal/h			COP
ML45FG	4.56	1/6	LBP	F	200-240/220-230V 50/60Hz ~1	CSIR	R	C-V	61	117	157	0.68	321	200	0.97	10.87	Lc
ML45FR	4.56	1/6	LBP	F	115-127V 60Hz ~1	CSIR	R	C-V	61	117	157	0.72	321	200	1.01	9.21	Lc
 MLY45LRa	4.56	1/6	LBP	F	115-127V 60Hz ~1	CSIR	R	C-V	64	143	192	0.87	379	244	1.23	9.20	Lc
 MLY45LRb	4.56	1/6	LBP	F	115-127V 60Hz ~1	CSR	R	C-V	64	143	192	0.90	379	244	1.27	9.30	Lc
ML60FG	5.98	1/5	LBP	F	200-240/220-230V 50/60Hz ~1	CSIR	R	C-V	81	157	207	0.70	411	263	0.99	10.87	Lc
ML60FR	5.98	1/5	LBP	F	115-127V 60Hz ~1	CSIR	R	C-V	81	157	207	0.72	411	263	1.01	9.54	Lc
 MLY60Lda	5.98	1/5	LBP	F	115V 60Hz ~1	CSIR	R	C-V	102	197	259	0.89	501	328	1.25	10.40	Lc
 MLY60Ldb	5.98	1/5	LBP	F	115V 60Hz ~1	CSR	R	C-V	102	197	259	0.95	501	328	1.34	10.50	Lc
ML80FG	8.10	1/4	LBP	F	200-220/220-230V 50/60Hz ~1	CSIR	R	C-V	117	223	296	0.76	590	376	1.07	12.20	Ld
ML80FR	8.10	1/4	LBP	F	115-127V 60Hz ~1	CSIR	R	C-V	117	223	296	0.75	590	376	1.05	11.97	Ld
ML90FG	8.85	1/3	LBP	F	200-220/230V 50/60Hz ~1	CSIR	R	C-V	121	242	323	0.80	642	410	1.12	10.78	Ld
ML90FR	8.85	1/3	LBP	F	115-127V 60Hz ~1	CSIR	R	C-V	121	242	323	0.79	642	410	1.11	11.97	Ld
 MLT90CD	9.09	1/3	LBP	F	115V 60Hz ~1	RSCR	P	C	164	290	382	1.03	770	485	1.45	11.40	Ld
 MLT90CDc	9.09	1/3	LBP	S	115V 60Hz ~1	CSR	R	C-V	159	284	373	0.99	750	474	1.40	11.55	Ld
 MLT90LD	9.09	1/4	LBP	F	115V 60Hz ~1	CSR	R	C-V	159	284	373	0.99	750	474	1.40	11.80	Ld
 MLY12Lfa	10.70	3/8	LBP	F	208-230V 60Hz ~1	CSIR	R	C-V	179	343	451	0.92	882	572	1.29	11.06	Ld
 MLY12Lfb	10.70	3/8	LBP	F	208-230V 60Hz ~1	CSR	R	C-V	179	343	451	0.94	882	572	1.33	11.16	Ld
 MLY12Lga	10.70	3/8	LBP	F	200-220/230V 50/60Hz ~1	CSIR	R	C-V	190	351	458	0.86	884	579	1.22	11.06	Ld
 MLY12Lgb	10.70	3/8	LBP	F	200-220/230V 50/60Hz ~1	CSR	R	C-V	190	357	466	0.91	889	588	1.29	11.16	Ld
 MLY12Lra	10.70	3/8	LBP	F	115-127V 60Hz ~1	CSIR	R	C-V	199	373	478	0.96	866	600	1.34	11.01	Ld
 MLY12Lrb	10.70	3/8	LBP	F	115-127V 60Hz ~1	CSR	R	C-V	200	369	476	1.00	890	600	1.41	11.11	Ld
 MPT12CD	12.10	3/8	LBP	F	115V 60Hz ~1	RSCR	P	C	225	397	515	1.01	993	650	1.41	12.35	Pd
 MPT12LD	12.10	3/8	LBP	F	115V 60Hz ~1	CSR	R	C-V	225	397	515	1.01	993	650	1.41	13.50	Pd
MP14FE	14.17	1/2	LBP	F	115V 60Hz ~1	CSIR	R	C-V	142	355	493	0.77	1026	632	1.10	13.67	Pd
MP14FG	14.17	1/2	LBP	F	200-220/230V 50/60Hz ~1	CSIR	R	C-V	142	355	492	0.82	1026	631	1.15	12.03	Pd
 MPT14LD	14.32	1/2	LBP	F	115V 60Hz ~1	CSR	R	C-V	258	453	590	0.96	1156	746	1.35	12.17	Pd
 MPT14LF	14.32	1/2	LBP	F	208-230V 60Hz ~1	CSR	R	C-V	262	474	621	0.96	1223	786	1.36	12.30	Pd
MX21FG	20.72	3/4	LBP	F	200-220/220-230V 50/60Hz ~1	CSR	R	C-V	247	540	735	0.94	1515	940	1.32	17.32	Xd
MX23FG	23.20	7/8	LBP	F	200-220/220-230V 50/60Hz ~1	CSR	R	C-V	303	627	843	0.93	1711	1075	1.32	17.50	Xd
MS26F3	25.93	3/4	LBP	F	400/440V 50/60Hz ~3	3PHASE	P	C-V	202	641	909	0.92	1902	1170	1.31	20.80	Sd
MS26FF	25.93	3/4	LBP	F	208-230V 60Hz ~1	CSR	R	C-V	202	641	909	0.91	1902	1170	1.30	22.60	Sd
MS26FG	25.93	3/4	LBP	F	200-220/230V 50/60Hz ~1	CSR	R	C-V	202	641	909	0.92	1902	1170	1.31	22.60	Sd
MS30F3	29.95	7/8	LBP	F	400/440V 50/60Hz ~3	3PHASE	P	C-V	242	763	1086	0.94	2302	1400	1.32	24.00	Sd
MS30FF	29.95	7/8	LBP	F	208-230V 60Hz ~1	CSR	R	C-V	242	763	1086	0.92	2302	1400	1.31	22.70	Sd
MS30FG	29.95	7/8	LBP	F	230V 60Hz ~1	CSR	R	C-V	242	763	1086	0.95	2302	1400	1.36	22.70	Sd
MS34F3	34.42	1	LBP	F	400/440V 50/60Hz ~3	3PHASE	P	C-V	277	885	1263	0.96	2696	1630	1.35	22.90	Sd
MS34FF	34.42	1	LBP	F	208V 60Hz ~1	CSR	R	C-V	272	838	1216	0.91	2738	1580	1.30	22.90	Sd

 Green Cooling Models

 New Models

(*) Or R407B













R404A: W (A) x 1.29 = kcal/h (B)

R404A: W (C) x 1.08 = kcal/h (D)

W x 0.86 = kcal/h

(**) Under development

R404A • R507 (*) HMBP | HBP • 50 Hz

MODEL	DISPLACEMENT cm ³	POWER hp	APPLICATION	CPR COOLING	VOLTAGE FREQUENCY	MOTOR	STARTING	EXPANSION	REFRIGERATION CAPACITY							WEIGHT Kg	DESIGN
									COP in W/W 1 W = 0,864 kcal/h = 3,415 BTU/h Evaporating Temperature °C								
									Cecomaf (W)					Ashrae			
									-25	-15	5		10	7.2			
											W	COP		kcal/h	COP		
ML40TB	4.05	1/6	HMBP	F	220-240V 50Hz ~1	CSIR	R	C-V	132	212	470	1.41	555	510	1.74	9.47	Lc
ML40TG	4.05	1/6	HMBP	F	200-240/220-230V 50/60Hz ~1	CSIR	R	C-V	132	212	470	1.41	555	510	1.74	9.12	Lc
ML45TB	4.56	1/5	HMBP	F	220-240V 50Hz ~1	CSIR	R	C-V	150	237	525	1.47	621	570	1.82	9.10	Lc
ML45TG	4.56	1/5	HMBP	F	200-240/220-230V 50/60Hz ~1	CSIR	R	C-V	150	237	525	1.47	621	570	1.82	10.57	Lc
ML60TB	5.68	1/4	HMBP	F	220-240V 50Hz ~1	CSIR	R	C-V	165	276	643	1.50	765	700	1.85	9.29	Lc
ML60TG	5.68	1/4	HMBP	F	200-220/230V 50/60Hz ~1	CSIR	R	C-V	165	276	643	1.50	765	700	1.85	10.57	Lc
 MLY60RAa	5.98	1/4	HMBP	F	220-240V 50Hz ~1	CSIR	R	C-V	210	344	761	1.74	896	825	2.15	10.49	Lc
 MLY60RAb	5.98	1/4	HMBP	F	220-240V 50Hz ~1	CSR	R	C-V	210	344	761	1.91	896	825	2.36	10.59	Lc
ML80TB	7.57	3/8	HMBP	F	220-240V 50Hz ~1	CSIR	R	C-V	225	383	875	1.61	1034	950	1.99	9.68	Ld
ML80TG	7.57	3/8	HMBP	F	200-240/220-230V 50/60Hz ~1	CSIR	R	C-V	225	383	875	1.61	1034	950	1.99	11.81	Ld
 MLY80RAa	8.10	3/8	HMBP	F	220-240V 50Hz ~1	CSIR	R	C-V	280	461	1049	1.84	1243	1140	2.27	11.29	Ld
 MLY80RAb	8.10	3/8	HMBP	F	220-240V 50Hz ~1	CSR	R	C-V	280	461	1049	1.99	1243	1140	2.46	11.39	Ld
ML90TB	8.85	3/8	HMBP	F	220-240V 50Hz ~1	CSIR	R	C-V	280	461	1049	1.61	1243	1140	1.98	12.31	Ld
ML90TG	8.85	3/8	HMBP	F	200-220/230V 50/60Hz ~1	CSIR	R	C-V	280	461	1049	1.61	1243	1140	1.98	11.29	Ld
 MLY90RAa	9.09	3/8	HMBP	F	220-240V 50Hz ~1	CSIR	R	C-V	316	509	1125	1.73	1327	1220	2.13	11.34	Ld
 MLY90RAb	9.09	3/8	HMBP	F	220-240V 50Hz ~1	CSR	R	C-V	316	508	1129	1.89	1333	1225	2.34	11.44	Ld
 MLT12RA	10.70	3/8	HMBP	F	220-240V 50Hz ~1	CSR	R	C-V	396	632	1379	1.88	1622	1494	2.31	11.59	Ld
 MLT12RG	10.70	3/8	HMBP	F	200-220/220-230V 50/60Hz ~1	CSR	R	C-V	365	601	1337	1.83	1576	1450	2.26	12.24	Ld
 MPT12RA	12.10	3/8	HMBP	F	220-240V 50Hz ~1	CSR	R	C-V	437	723	1559	1.91	1823	1685	2.35	12.2	Pd
 MPT12RG	12.10	3/8	HBP	F	200-220/220-230V 50/60Hz ~1	CSR	R	C-V	-	689	1489	1.87	1769	1620	2.33	12.89	Pd
 MPT14RA	14.32	1/2	HBP	F	220-240V 50Hz ~1	CSR	R	C-V	-	789	1750	1.78	2068	1900	2.20	12.25	Pd
MX16TBa	16.03	7/8	HMBP	F	220-240V 50Hz ~1	CSR	R	C-V	481	814	1868	1.74	2212	2030	2.15	16.33	Xd
MX18TBa	18.40	7/8	HMBP	F	220-240V 50Hz ~1	CSR	R	C-V	551	932	2143	1.76	2540	2330	2.18	16.33	Xd
 MX18TGa	18.40	7/8	HMBP	F	200-220/220-230V 50/60Hz ~1	CSR	R	C-V	551	932	2143	1.76	2540	2330	2.18	16.24	Xd
MX21TBa	20.72	1	HBP	F	220-240V 50Hz ~1	CSR	R	C-V	-	1046	2410	1.74	2856	2620	2.15	16.52	Xd
MX21TG	20.72	1	HMBP	F	200-220/230V 50/60Hz ~1	CSR	R	C-V	621	1047	2409	1.74	2857	2620	2.15	17.16	Xd
MS18T3	18.10	7/8	HMBP	F	400/440V 50/60Hz ~3	3PHASE	P	C-V	421	834	2124	1.89	2543	2320	2.35	20.00	Sb
MS22T3	21.75	1	HMBP	F	400/440V 50/60Hz ~3	3PHASE	P	C-V	451	970	2560	1.98	3072	2800	2.45	20.00	Sb
MS22TB	21.75	1	HMBP	F	220-240V 50Hz ~1	CSR	R	C-V	451	967	2550	2.02	3060	2789	2.50	20.51	Sc
MS26T3	25.93	1 3/8	HMBP	F	400/440V 50/60Hz ~3	3PHASE	P	C-V	671	1289	3166	1.98	3769	3450	2.45	18.60	Sd
MS26TB	25.93	1 3/8	HMBP	F	220-240V 50Hz ~1	CSR	R	C-V	671	1288	3164	2.00	3767	3448	2.46	22.12	Sd
MS26TG	25.93	1 3/8	HMBP	F	200-220/230V 50/60Hz ~1	CSR	R	C-V	671	1289	3166	2.00	3769	3450	2.46	23.00	Sd
MS34T3	34.42	1 5/8	HMBP	F	400/440V 50/60Hz ~3	3PHASE	P	C-V	1002	1850	4205	1.79	4930	4550	2.20	22.80	Sd
MS34TB	34.42	1 5/8	HBP	F	220-240V 50Hz ~1	CSR	R	C-V	-	1850	4205	1.89	4930	4550	2.30	22.21	Sd
MS34TG	34.42	1 5/8	HBP	F	200-220/230V 50/60Hz ~1	CSR	R	C-V	-	1850	4205	1.89	4930	4550	2.30	22.78	Sd

 Green Cooling Models

 New Models

(*) Or R407B






R404A: W (A) x 1.29 = kcal/h (B)

R404A: W (C) x 1.08 = kcal/h (D)

W x 0.86 = kcal /h

(**) Under development

R404A • R507 (*) HMBP | HBP • 60 Hz

MODEL	DISPLACEMENT cm ³	POWER hp	APPLICATION	CPR COOLING	VOLTAGE FREQUENCY	MOTOR	STARTING	EXPANSION	REFRIGERATION CAPACITY								WEIGHT Kg	DESIGN
									COP in W/W 1 W = 0,864 kcal/h = 3,415 BTU/h Evaporating Temperature °C									
									Cecomaf (W)				Ashrae					
									-25	-15	5		10	7.2				
											W	COP		kcal/h	COP			
ML40TG	4.05	1/6	HMBP	F	200-240/220-230V 50/60Hz ~1	CSIR	R	C-V	155	248	553	1.39	653	600	1.70	9.12	Lc	
ML45TG	4.56	1/5	HMBP	F	200-240/220-230V 50/60Hz ~1	CSIR	R	C-V	176	277	614	1.42	726	667	1.74	10.57	Lc	
ML60TG	5.68	1/4	HMBP	F	200-220/230V 50/60Hz ~1	CSIR	R	C-V	193	323	753	1.49	896	820	1.83	10.57	Lc	
ML60TR	5.68	1/4	HMBP	F	115-127V 60Hz ~1	CSIR	R	C-V	193	323	753	1.48	896	820	1.83	10.58	Lc	
 MLY60RDa	5.98	1/4	HMBP	F	115V 60Hz ~1	CSIR	R	C-V	250	408	900	1.70	1059	975	2.10	10.55	Lc	
 MLY60RDb	5.98	1/4	HMBP	F	115V 60Hz ~1	CSR	R	C-V	250	408	900	1.83	1059	975	2.27	10.65	Lc	
ML80TG	7.57	3/8	HMBP	F	200-240/220-230V 50/60Hz ~1	CSIR	R	C-V	263	448	1022	1.59	1208	1110	1.96	11.81	Ld	
 MLY80RDa	8.10	3/8	HMBP	F	115V 60Hz ~1	CSIR	R	C-V	329	541	1224	1.75	1449	1330	2.15	11.21	Ld	
 MLY80RDb	8.10	3/8	HMBP	F	115V 60Hz ~1	CSR	R	C-V	329	541	1224	1.81	1449	1330	2.22	11.31	Ld	
ML90TG	8.85	3/8	HMBP	F	200-220/230V 50/60Hz ~1	CSIR	R	C-V	329	539	1227	1.54	1454	1334	1.89	11.29	Ld	
 MLT12RG	10.70	3/8	HMBP	F	200-220/220-230V 50/60Hz ~1	CSR	R	C-V	441	702	1553	1.75	1833	1685	2.16	12.24	Ld	
 MPT12RG	12.10	3/8	HBP	F	200-220/220-230V 50/60Hz ~1	CSR	R	C-V	-	795	1725	1.79	2043	1874	2.22	12.89	Pd	
 MX18TGa	18.40	7/8	HMBP	F	200-220/220-230V 50/60Hz ~1	CSR	R	C-V	644	1090	2507	1.74	2972	2726	2.15	16.24	Xd	
MX21TG	20.72	1	HMBP	F	200-220/230V 50/60Hz ~1	CSR	R	C-V	726	1211	2781	1.72	3299	3025	2.12	17.16	Xd	
MS18T3	18.10	7/8	HMBP	F	400/440V 50/60Hz ~3	3PHASE	P	C-V	491	971	2471	1.82	2959	2700	2.25	20.00	Sb	
MS22T3	21.75	1	HMBP	F	400/440V 50/60Hz ~3	3PHASE	P	C-V	527	1135	2995	1.94	3595	3276	2.40	20.00	Sb	
MS26T3	25.93	1 3/8	HMBP	F	400/440V 50/60Hz ~3	3PHASE	P	C-V	785	1508	3705	1.84	4411	4037	2.25	18.60	Sd	
MS26TG	25.93	1 3/8	HMBP	F	200-220/230V 50/60Hz ~1	CSR	R	C-V	785	1508	3705	1.93	4411	4037	2.37	23.00	Sd	
MS34T3	34.42	1 5/8	HMBP	F	400/440V 50/60Hz ~3	3PHASE	P	C-V	1172	2164	4916	1.71	5764	5320	2.10	22.80	Sd	
MS34TG	34.42	1 5/8	HBP	F	200-220/230V 50/60Hz ~1	CSR	R	C-V	-	1170	4385	1.63	6578	5320	2.10	22.78	Sd	

 Green Cooling Models
 New Models

(*) Or R407B
 R404A: W (A) x 1.29 = kcal/h (B) R404A: W (C) x 1.08 = kcal/h (D) W x 0.86 = kcal/h
 (**) Under development

Compressors
R404A / R507

	Conditions			
	CECOMAF		ASHRAE	
	LBP (A)	HMBP/HBP (C)	LBP (B)	HMBP/HBP (D)
Evaporating temperature °C	-25	5	-23.3	7.2
Condensing temperature °C	55	55	55	55
Liquid temperature °C	55	55	32	46
Suction temperature °C	32	32	32	35
Ambient temperature °C	32	32	32	35

Measurement conversion

R404A

W (A) x 1.29 = kcal/h (B)

W (C) x 1.08 = kcal/h (D)

S compressor's range can be provided with tube or valve



2.

Compressors
Catalogue

R290/R600a

R290 LBP • 50 Hz

Natural Refrigerant

MODEL	DISPLACEMENT cm ³	POWER hp	APPLICATION	CPR COOLING	VOLTAGE FREQUENCY	MOTOR	STARTING	EXPANSION	REFRIGERATION CAPACITY							WEIGHT Kg	DESIGN
									COP in W/W 1 W = 0,864 kcal/h = 3,415 BTU/h Evaporating Temperature °C								
									Cecomaf (W)				Ashrae				
									-40	-30	-25		-10	-23.3			
											W	COP		kcal/h	COP		
NBC25CA (**)	2.60	1/12	LBP	S	220-240V 50Hz ~1	RSIR	R	C	32	57	74	1.00	143	86	1.30	5.90	Be
NBG25CA (**)	2.60	1/12	LBP	S	220-240V 50Hz ~1	RSCR	R	C	32	57	74	1.17	143	86	1.52	6.00	Be
NBC35CA (**)	3.50	1/8	LBP	S	220-240V 50Hz ~1	RSIR	R	C	47	83	108	1.00	209	125	1.30	5.90	Be
NBG35CA (**)	3.50	1/8	LBP	S	220-240V 50Hz ~1	RSCR	R	C	47	83	108	1.20	209	125	1.55	6.00	Be
NBC41CA (**)	4.10	1/7	LBP	S	220-240V 50Hz ~1	RSIR	R	C	58	103	134	1.00	259	155	1.30	5.90	Be
NBG41CA (**)	4.10	1/7	LBP	S	220-240V 50Hz ~1	RSCR	R	C	58	103	134	1.20	259	156	1.55	6.00	Be
NBC45CA (**)	4.50	1/6	LBP	S	220-240V 50Hz ~1	RSIR	R	C	65	115	150	1.00	290	173	1.30	5.90	Be
NBG45CA (**)	4.50	1/6	LBP	S	220-240V 50Hz ~1	RSCR	R	C	65	115	150	1.16	290	173	1.50	6.00	Be
NLY45LAa	4.56	1/6	LBP	F	220-240V 50Hz ~1	CSIR	R	C-V	62	116	152	1.04	298	176	1.35	10.25	Lc
NLY45LAb	4.56	1/6	LBP	F	220-240V 50Hz ~1	CSR	R	C-V	62	116	152	1.11	298	176	1.44	10.35	Lc
NUY45LAa	4.50	1/5	LBP	F	220-240V 50Hz ~1	CSIR	R	C-V	65	122	159	1.21	306	184	1.57	9.30	Ub
NUY45LAb	4.50	1/5	LBP	F	220-240V 50Hz ~1	CSR	R	C-V	66	123	161	1.26	311	186	1.64	9.45	Ub
NUT55CAa	5.50	1/5	LBP	F	220-240V 50Hz ~1	RSIR	P	C	88	152	196	1.27	382	227	1.64	9.10	Ub
NUT55CAb	5.50	1/5	LBP	F	220-240V 50Hz ~1	RSCR	P	C	88	152	196	1.39	382	227	1.80	9.21	Ub
NUT55CAc	5.50	1/5	LBP	S	220-240V 50Hz ~1	RSIR	P	C	88	152	196	1.27	382	227	1.64	9.10	Ub
NUT55CAc	5.50	1/5	LBP	S	220-240V 50Hz ~1	RSCR	P	C	88	152	196	1.39	382	227	1.80	9.21	Ub
NLY60LAa	5.98	1/5	LBP	F	220-240V 50Hz ~1	CSIR	R	C-V	85	152	198	1.03	389	230	1.33	9.67	Lc
NLY60LAb	5.98	1/5	LBP	F	220-240V 50Hz ~1	CSR	R	C-V	85	152	198	1.10	389	230	1.42	9.77	Lc
NUY60LAa	5.98	1/5	LBP	F	220-240V 50Hz ~1	CSIR	R	C-V	92	165	215	1.21	420	250	1.56	9.67	Lc
NUY60LAb	5.98	1/5	LBP	F	220-240V 50Hz ~1	CSR	R	C-V	97	160	220	1.27	425	255	1.64	9.77	Lc
NUT60CAa	6.00	1/4	LBP	F	220-240V 50Hz ~1	RSIR	P	C	101	175	226	1.30	431	261	1.68	9.20	Ub
NUT60CAb	6.00	1/4	LBP	F	220-240V 50Hz ~1	RSCR	P	C	101	175	226	1.41	431	261	1.82	9.31	Ub
NUT60CAc	6.00	1/4	LBP	S	220-240V 50Hz ~1	RSIR	P	C	101	175	226	1.30	431	261	1.68	9.20	Ub
NUT60CAc	6.00	1/4	LBP	S	220-240V 50Hz ~1	RSCR	P	C	101	175	226	1.41	431	261	1.82	9.31	Ub
NUT70CAa	6.70	1/4	LBP	F	220-240V 50Hz ~1	RSIR	P	C	109	195	250	1.30	463	288	1.68	9.20	Ub
NUT70CAb	6.70	1/4	LBP	F	220-240V 50Hz ~1	RSCR	P	C	109	195	250	1.39	463	288	1.80	9.41	Ub
NLY75LAa	7.36	1/4	LBP	F	220-240V 50Hz ~1	CSIR	R	C-V	109	199	255	1.07	467	293	1.38	10.24	Ld
NLY75LAb	7.36	1/4	LBP	F	220-240V 50Hz ~1	CSR	R	C-V	110	196	254	1.17	490	294	1.52	10.34	Ld
NLY80LAa	8.10	1/4	LBP	F	220-240V 50Hz ~1	CSIR	R	C-V	113	201	264	1.04	525	306	1.35	10.27	Ld
NLY80LAb	8.10	1/4	LBP	F	220-240V 50Hz ~1	CSR	R	C-V	113	201	264	1.10	525	306	1.43	10.37	Ld
NLY90LAa	9.09	1/3	LBP	F	220-240V 50Hz ~1	CSIR	R	C-V	130	236	307	1.06	591	355	1.37	10.32	Ld
NLY90LAb	9.09	1/3	LBP	F	220-240V 50Hz ~1	CSR	R	C-V	130	236	307	1.11	591	355	1.44	10.42	Ld
NUY90LAa(**)	9.09	1/3	LBP	F	220-240V 50Hz ~1	CSR	R	C-V	147	256	329	1.28	637	380	1.66	10.32	Ld
NLY12LAa	10.7	3/8	LBP	F	220-240V 50Hz ~1	CSIR	R	C-V	163	283	364	0.96	689	420	1.24	11.21	Ld
NLY12LAb	10.7	3/8	LBP	F	220-240V 50Hz ~1	CSR	R	C-V	163	283	364	1.01	689	420	1.31	11.31	Ld
NPY12LAa	12.1	3/8	LBP	F	220-240V 50Hz ~1	CSIR	R	C-V	174	309	402	1.05	783	465	1.35	12.13	Pd
NPY12LAb	12.1	3/8	LBP	F	220-240V 50Hz ~1	CSR	R	C-V	174	309	402	1.15	783	465	1.49	12.23	Pd
NPY14LAa	14.32	1/2	LBP	F	220-240V 50Hz ~1	CSIR	R	C-V	217	376	485	1.05	928	560	1.35	12.17	Pd
NPY14LAb	14.32	1/2	LBP	F	220-240V 50Hz ~1	CSR	R	C-V	217	376	485	1.14	928	560	1.48	12.27	Pd
NPT16LA	16.15	1/2	LBP	F	220-240V 50Hz ~1	CSR	R	C-V	254	440	564	1.16	1062	650	1.50	12.17	Pd
NPT18LA	18.00	1/2	LBP	F	220-240V 50Hz ~1	CSR	R	C-V	269	473	611	1.13	1165	705	1.46	12.30	Pd
NX18FBa	18.40	3/4	LBP	F	220-240V 50Hz ~1	CSR	R	C-V	243	471	611	1.11	1137	705	1.44	16.41	Xd
NX21FBa	20.72	3/4	LBP	F	220-240V 50Hz ~1	CSR	R	C-V	267	517	675	1.11	1275	780	1.44	16.99	Xd
NX23FBa	23.20	7/8	LBP	F	220-240V 50Hz ~1	CSR	R	C-V	297	572	746	1.09	1411	862	1.41	16.75	Xd

Green Cooling Models

(**) Under development

























New Models

R290: W (A) x 1.17 = kcal/h (B)

R290: W (C) x 1.03 = kcal/h (D)

R290 LBP | LMBP • 60 Hz

Natural Refrigerant

MODEL	DISPLACEMENT cm ³	POWER hp	APPLICATION	CPR COOLING	VOLTAGE FREQUENCY	MOTOR	STARTING	EXPANSION	REFRIGERATION CAPACITY						WEIGHT Kg	DESIGN	
									COP in W/W 1 W = 0,864 kcal/h = 3,415 BTU/h Evaporating Temperature °C								
									Cecomaf (W)			Ashrae					
									-40	-30	-25		-10	-23.3			
											W	COP		kcal/h			COP
 NLY45LRa	4.56	1/6	LBP	F	115-127V 60Hz ~1	CSIR	R	C-V	70	133	177	1.00	364	207	1.30	9.21	Lc
 NLY45LRb	4.56	1/6	LBP	F	115-127V 60Hz ~1	CSR	R	C-V	68	149	184	1.07	263	207	1.38	9.31	Lc
 NUT55LRa	5.50	1/5	LBP	F	115-127V 60Hz ~1	CSIR	R	C-V	110	189	243	1.24	460	280	1.60	9.47	Ub
 NUT55LRb	5.50	1/5	LBP	F	115-127V 60Hz ~1	CSR	R	C-V	110	193	247	1.34	463	285	1.73	9.54	Ub
 NUT55LRc	5.50	1/5	LBP	F	115-127V 60Hz ~1	CSIR	R	C-V	110	189	243	1.24	460	280	1.60	9.47	Ub
 NUT55LRd	5.50	1/5	LBP	F	115-127V 60Hz ~1	CSR	R	C-V	110	193	247	1.34	463	285	1.73	9.54	Ub
 NLY60LRa	5.98	1/5	LBP	F	115-127V 60Hz ~1	CSIR	R	C-V	106	200	260	1.10	492	300	1.42	10.07	Lc
 NLY60LRb	5.98	1/5	LBP	F	115-127V 60Hz ~1	CSR	R	C-V	106	200	260	1.18	492	300	1.53	10.17	Lc
 NUT60LRa	6.00	1/3	LBP	F	115-127V 60Hz ~1	CSIR	R	C-V	122	207	266	1.24	508	307	1.60	9.40	Ub
 NUT60LRb	6.00	1/3	LBP	F	115-127V 60Hz ~1	CSR	R	C-V	122	213	273	1.34	513	315	1.73	9.50	Ub
 NUT60LRc	6.00	1/3	LBP	S	115-127V 60Hz ~1	CSIR	R	C-V	122	207	266	1.24	508	307	1.60	9.40	Ub
 NUT60LRd	6.00	1/3	LBP	S	115-127V 60Hz ~1	CSR	R	C-V	122	213	273	1.34	513	315	1.73	9.50	Ub
 NLY75NRa (**)	7.36	1/4	LMBP	F	115-127V 60Hz ~1	CSIR	R	C-V	129	230	295	1.05	546	340	1.32	10.34	Ld
 NLY75NRb (**)	7.36	1/4	LMBP	F	115-127V 60Hz ~1	CSR	R	C-V	137	240	308	1.13	601	355	1.46	10.27	Ld
 NLY80LRa	8.10	1/4	LBP	F	115-127V 60Hz ~1	CSIR	R	C-V	139	246	322	1.06	636	373	1.37	9.57	Lc
 NLY80LRb	8.10	1/4	LBP	F	115-127V 60Hz ~1	CSR	R	C-V	139	246	322	1.13	636	373	1.46	9.67	Lc
 NLY90LRa (**)	9.09	1/3	LBP	F	115-127V 60Hz ~1	CSIR	R	C-V	153	275	359	1.05	704	417	1.36	11.20	Ld
 NLY90LRb (**)	9.09	1/3	LBP	F	115-127V 60Hz ~1	CSR	R	C-V	153	275	359	1.12	704	417	1.44	11.20	Ld
 NLY12NRa (**)	12.10	1/8	LMBP	F	115-127V 60Hz ~1	CSIR	R	C-V	185	328	430	1.12	843	500	1.45	11.65	Ld
 NLY12NRb (**)	12.10	1/8	LMBP	F	115-127V 60Hz ~1	CSR	R	C-V	193	342	448	1.20	843	520	1.51	11.65	Ld
 NPY12LRa	12.10	3/8	LBP	F	115-127V 60Hz ~1	CSIR	R	C-V	199	362	473	1.04	927	548	1.35	11.77	Pd
 NPY12LRb	12.10	3/8	LBP	F	115-127V 60Hz ~1	CSR	R	C-V	199	362	473	1.11	927	548	1.44	11.87	Pd
 NPY14LFa	14.32	1/2	LBP	F	208-230V 60Hz ~1	CSIR	R	C-V	269	466	603	1.04	1175	698	1.34	12.19	Pd
 NPY14LFb	14.32	1/2	LBP	F	208-230V 60Hz ~1	CSR	R	C-V	269	466	603	1.09	1175	698	1.42	12.29	Pd

 Green Cooling Models
 New Models

(**) Under development
 R290: W (A) x 1.17 = kcal/h (B) R290: W (C) x 1.03 = kcal/h (D)

R290 HMBP | HBP • 50 Hz

Natural Refrigerant

MODEL	DISPLACEMENT cm ³	POWER hp	APPLICATION	CPR COOLING	VOLTAGE FREQUENCY	MOTOR	STARTING	EXPANSION	REFRIGERATION CAPACITY							WEIGHT Kg	DESIGN
									COP in W/W 1 W = 0,864 kcal/h = 3,415 BTU/h Evaporating Temperature °C								
									Cecomaf (W)				Ashrae				
									-25	-15	5		10	7.2			
											W	COP		kcal/h	COP		
NBC22RA (**)	2.20	1/12	HMBP	F	220-240V 50Hz ~1	CSIR	R	C-V	64	101	224	2.24	265	230	2.30	6.00	Be
NBC30RA (**)	3.10	1/10	HMBP	F	220-240V 50Hz ~1	CSIR	R	C-V	92	145	322	2.34	381	330	2.40	6.00	Be
NLY45RAa	4.56	1/5	HMBP	F	220-240V 50Hz ~1	CSIR	R	C-V	148	237	518	2.13	609	530	2.51	10.42	Lc
NLY45RAb	4.56	1/5	HMBP	F	220-240V 50Hz ~1	CSR	R	C-V	148	237	518	2.34	609	530	2.75	10.52	Lc
NUY45RAa (**)	4.56	1/5	HBP	F	220-240V 50Hz ~1	CSIR	R	C-V	153	246	538	2.42	632	550	2.85	10.42	Lc
NUY55RAa (**)	5.50	1/5	HBP	F	220-240V 50Hz ~1	CSIR	R	C-V	189	304	665	2.40	781	680	2.82	9.87	Lc
NLY60RAa	5.98	1/4	HMBP	F	220-240V 50Hz ~1	CSIR	R	C-V	211	325	703	2.20	829	720	2.58	10.99	Lc
NLY60RAb	5.98	1/4	HMBP	F	220-240V 50Hz ~1	CSR	R	C-V	211	325	703	2.38	829	720	2.79	11.14	Lc
NUY60RAa (**)	5.98	1/4	HBP	F	220-240V 50Hz ~1	CSIR	R	C-V	217	334	723	2.33	860	740	2.75	9.75	Lc
NUY70RAa	6.70	1/4	HMBP	F	220-240V 50Hz ~1	CSIR	R	C-V	248	382	817	2.34	961	836	2.75	9.60	Ub
NUY70RAb	6.70	1/4	HMBP	F	220-240V 50Hz ~1	CSR	R	C-V	248	382	817	2.47	961	836	2.90	9.70	Ub
NLY75RAa	7.36	3/8	HMBP	F	220-240V 50Hz ~1	CSIR	R	C-V	243	390	862	2.25	1017	883	2.64	10.49	Ld
NLY75RAb	7.36	3/8	HMBP	F	220-240V 50Hz ~1	CSR	R	C-V	243	390	862	2.42	1017	883	2.84	10.59	Ld
NLY80RAa	8.10	3/8	HMBP	F	220-240V 50Hz ~1	CSIR	R	C-V	258	411	930	2.21	1104	955	2.60	10.54	Ld
NLY80RAb	8.10	3/8	HMBP	F	220-240V 50Hz ~1	CSR	R	C-V	258	411	930	2.38	1104	955	2.80	10.64	Ld
NLY90RAa	9.09	3/8	HMBP	F	220-240V 50Hz ~1	CSIR	R	C-V	306	480	1054	2.18	1245	1080	2.56	11.19	Ld
NLY90RAb	9.09	3/8	HMBP	F	220-240V 50Hz ~1	CSR	R	C-V	306	480	1054	2.36	1245	1080	2.78	11.29	Ld
NLY12RAa	10.7	3/8	HMBP	F	220-240V 50Hz ~1	CSIR	R	C-V	379	584	1224	2.06	1432	1249	2.41	11.44	Ld
NLY12RAb	10.7	3/8	HMBP	F	220-240V 50Hz ~1	CSR	R	C-V	379	597	1249	2.28	1457	1273	2.66	11.54	Ld
NPY12RAa	12.10	1/2	HBP	F	220-240V 50Hz ~1	CSIR	R	C-V	388	635	1460	2.08	1735	1500	2.45	12.16	Pd
NPY12RAb	12.10	1/2	HBP	F	220-240V 50Hz ~1	CSR	R	C-V	388	635	1460	2.28	1735	1500	2.70	12.26	Pd
NPT14RA	14.32	1/2	HBP	F	220-240V 50Hz ~1	CSR	R	C-V	623	763	1709	2.26	2085	1776	2.69	12.25	Pd
NX18TBa	18.40	3/4	HMBP	F	220-240V 50Hz ~1	CSR	R	C-V	511	852	2039	2.22	2440	2102	2.61	16.14	Xd
NX21TBa	20.72	7/8	HMBP	F	220-240V 50Hz ~1	CSR	R	C-V	601	973	2267	2.18	2705	2334	2.55	16.09	Xd

R290 HMBP | HBP • 60 Hz

Natural Refrigerant

MODEL	DISPLACEMENT cm ³	POWER hp	APPLICATION	CPR COOLING	VOLTAGE FREQUENCY	MOTOR	STARTING	EXPANSION	REFRIGERATION CAPACITY							WEIGHT Kg	DESIGN
									COP in W/W 1 W = 0,864 kcal/h = 3,415 BTU/h Evaporating Temperature °C								
									Cecomaf (W)				Ashrae				
									-25	-15	5		10	7.2			
											W	COP		kcal/h	COP		
NLY45RRa	4.56	1/5	HMBP	F	115-127V 60Hz ~1	CSIR	R	C-V	180	282	618	2.08	729	633	2.41	9.19	Lc
NLY45RRb	4.56	1/5	HMBP	F	115-127V 60Hz ~1	CSR	R	C-V	180	282	618	2.25	729	633	2.61	9.29	Lc
NLY60RRa	5.98	1/5	HMBP	F	115-127V 60Hz ~1	CSIR	R	C-V	245	385	827	2.11	971	845	2.43	9.68	Lc
NLY60RRb	5.98	1/5	HMBP	F	115-127V 60Hz ~1	CSR	R	C-V	245	385	827	2.29	971	845	2.65	9.78	Lc
NLY75RRa	7.57	3/8	HMBP	F	115-127V 60Hz ~1	CSIR	R	C-V	278	445	1010	2.14	1200	1038	2.50	10.07	Ld
NLY75RRb	7.57	3/8	HMBP	F	115-127V 60Hz ~1	CSR	R	C-V	278	454	1034	2.36	1227	1062	2.76	10.17	Ld
NLY80RRa	8.10	1/4	HMBP	F	115-127V 60Hz ~1	CSIR	R	C-V	314	497	1098	2.12	1297	1125	2.45	10.03	Ld
NLY80RRb	8.10	1/4	HMBP	F	115-127V 60Hz ~1	CSR	R	C-V	314	497	1098	2.31	1297	1125	2.67	10.13	Ld
NLY90RRa	9.09	1/3	HMBP	F	115-127V 60Hz ~1	CSIR	R	C-V	353	563	1239	2.03	1462	1269	2.35	10.55	Ld
NLY90RRb	9.09	1/3	HMBP	F	115-127V 60Hz ~1	CSR	R	C-V	353	563	1239	2.21	1462	1269	2.56	10.65	Ld
NLY12RRa (**)	12.10	1/8	HBP	F	115-127V 60Hz ~1	CSIR	R	C-V	417	666	1465	1.95	1728	1500	2.25	11.20	Ld
NLY12RRb (**)	12.10	1/8	HBP	F	115-127V 60Hz ~1	CSR	R	C-V	428	683	1504	2.12	1775	1540	2.45	11.20	Ld

Green Cooling Models
 New Models

(**) Under development

R290: W (A) x 1.17 = kcal/h (B)


















R290: W (C) x 1.03 = kcal/h (D)

R600a LBP • 50 Hz

MODEL	DISPLACEMENT cm ³	POWER hp	APPLICATION	CPR COOLING	VOLTAGE FREQUENCY	MOTOR	STARTING	EXPANSION	REFRIGERATION CAPACITY								WEIGHT Kg	DESIGN
									COP in W/W 1 W = 0,864 kcal/h = 3,415 BTU/h Evaporating Temperature °C									
									Cecomaf (W)				Ashrae					
											-25				-23.3			
									-35	-30	W	COP	-10	kcal/h	COP			
L22CL	2.20	1/18	LBP	S	220-240V 50Hz ~1	RSIR	P	C	12	31	23	0.67	48	26	0.85	3.60	Lb	
L30CL	3.10	1/16	LBP	S	220-240V 50/60Hz ~1	RSIR	P	C	19	49	36	0.77	75	41	0.98	3.80	Lc	
B35C	3.50	1/15	LBP	S	220-240V 50Hz ~1	RSIR	P	C	22	55	41	0.82	86	47	1.05	4.50	Bb	
B35C	3.50	1/15	LBP	S	220-240V 50Hz ~1	RSCR	P	C	22	57	42	1.06	88	48	1.35	5.10	Bc	
B43CB	4.30	1/12	LBP	S	220-240V 50Hz ~1	RSIR	P	C	27	69	51	0.90	107	59	1.15	4.60	Bc	
B43CB	4.30	1/12	LBP	S	220-240V 50Hz ~1	RSCR	P	C	27	69	51	1.02	107	59	1.30	4.60	Bc	
B43C0	4.30	1/12	LBP	S	220-240V 50Hz ~1	RSIR	P	C	27	69	51	0.93	107	59	1.18	4.60	Bb	
B52CL	5.20	1/10	LBP	S	220-240V 50Hz ~1	RSIR	P	C	31	78	58	0.90	121	67	1.15	4.60	Bc	
B52CL	5.20	1/10	LBP	S	220-240V 50Hz ~1	RSIR	P	C	31	78	58	1.10	121	67	1.40	5.20	Bd	
B52C0L	5.20	1/10	LBP	S	100V 50/60Hz ~1	RSIR	P	C	31	78	58	0.86	121	67	1.10	4.80	Bc	
B60CBL	6.00	1/8	LBP	S	220-240V 50Hz ~1	RSIR	P	C	38	95	71	1.02	149	82	1.30	5.00	Bc	
B60CBL	6.00	1/8	LBP	S	220-240V 50Hz ~1	RSCR	P	C	38	96	71	1.10	149	82	1.40	5.00	Bc	
B65CL	6.50	1/8	LBP	S	220-240V 50Hz ~1	RSIR	P	C	42	105	78	0.86	163	90	1.10	5.00	Bc	
B65CL	6.50	1/8	LBP	S	220-240V 50Hz ~1	RSCR	P	C	42	105	78	1.10	163	90	1.40	5.20	Be	
HLY45AAa	4.56	1/12	LBP	S	220-240V 50Hz ~1	RSIR	P	C	23	36	52	0.97	111	60	1.25	7.15	Lb	
HLY45AAb	4.56	1/12	LBP	S	220-240V 50Hz ~1	RSCR	P	C	24	37	52	1.02	112	60	1.32	7.26	Lb	
HLY55AAa	5.46	1/9	LBP	S	220-240V 50Hz ~1	RSIR	P	C	28	44	62	1.03	130	72	1.33	9.25	Lb	
HLY55AAb	5.46	1/9	LBP	S	220-240V 50Hz ~1	RSCR	P	C	29	44	62	1.10	131	72	1.42	9.36	Lb	
HLY70AAa	6.65	1/8	LBP	S	220-240V 50Hz ~1	RSIR	P	C	41	59	80	1.08	162	92	1.37	9.45	Lb	
HLY70AAb	6.65	1/8	LBP	S	220-240V 50Hz ~1	RSCR	P	C	40	59	81	1.15	164	93	1.46	9.56	Lb	
HLY80AAa	8.10	1/7	LBP	S	220-240V 50Hz ~1	RSIR	P	C	54	74	99	1.11	201	113	1.41	9.45	Lb	
HLY80AAb	8.10	1/7	LBP	S	220-240V 50Hz ~1	RSCR	P	C	54	74	99	1.18	203	113	1.49	9.56	Lb	
HLY90AAa	9.09	1/6	LBP	S	220-240V 50Hz ~1	RSIR	P	C	67	84	109	1.11	231	125	1.41	9.85	Lb	
HLY90AAb	9.09	1/6	LBP	S	220-240V 50Hz ~1	RSCR	P	C	65	85	111	1.18	234	127	1.49	9.96	Lb	
HLY99AAa	9.95	1/6	LBP	S	220-240V 50Hz ~1	RSIR	P	C	69	90	119	1.10	249	136	1.40	10.95	Lc	
HLY99AAb	9.95	1/6	LBP	S	220-240V 50Hz ~1	RSCR	P	C	67	90	120	1.16	250	137	1.48	11.06	Lc	
HPY12AAa	12.10	1/5	LBP	S	220-240V 50Hz ~1	RSIR	P	C	79	107	144	1.13	301	165	1.43	11.13	Pc	
HPY12AAb	12.10	1/5	LBP	S	220-240V 50Hz ~1	RSCR	P	C	79	107	144	1.18	301	165	1.50	11.24	Pc	
HPY12AGa	12.10	1/4	LBP	S	200-220/220-230V 50/60Hz ~1	RSIR	P	C	79	107	144	1.10	301	165	1.40	10.90	Pc	
HPY12AGb	12.10	1/4	LBP	S	200-220/220-230V 50/60Hz ~1	RSCR	P	C	79	107	144	1.10	301	165	1.40	11.01	Pc	
HPY14AAa	14.32	1/5	LBP	S	220-240V 50Hz ~1	RSIR	P	C	92	124	166	1.13	345	190	1.43	11.41	Pc	
HPY14AAb	14.32	1/5	LBP	S	220-240V 50Hz ~1	RSCR	P	C	92	124	166	1.19	345	190	1.50	11.52	Pc	
HPY14AJa	14.32	1/5	LBP	S	100V 50/60Hz ~1	RSIR	P	C	86	116	157	1.01	336	180	1.28	10.75	Pd	
HPY14AJb	14.32	1/5	LBP	S	100V 50/60Hz ~1	RSCR	P	C	86	116	157	1.07	336	180	1.35	10.86	Pd	
HPY16AAa	16.15	1/4	LBP	S	220-240V 50Hz ~1	RSIR	P	C	102	136	181	1.14	381	208	1.44	10.64	Pc	
HPY16AAb	16.15	1/4	LBP	S	220-240V 50Hz ~1	RSCR	P	C	102	136	181	1.19	381	208	1.51	10.75	Pc	

Green Cooling Models W (A) x 1.15 = kcal/h (B) W (C) x 1.02 = kcal/h (D) W x 1.16 = kcal/h
 New Models

R600a LBP • 60 Hz

MODEL	DISPLACEMENT cm ³	POWER hp	APPLICATION	CPR COOLING	VOLTAGE FREQUENCY	MOTOR	STARTING	EXPANSION	REFRIGERATION CAPACITY								WEIGHT Kg	DESIGN
									COP in W/W 1 W = 0,864 kcal/h = 3,415 BTU/h Evaporating Temperature °C									
									Cecomaf (W)				Ashrae					
									-35	-30	-25		-10	-23.3				
											W	COP		kcal/h	COP			
 L22C5L	2.20	1/16	LBP	S	110-120V 60Hz ~1	RSIR	P	C	16	22	30	0.86	63	34	1.10	3.60	Lb	
 L30CL	3.10	1/14	LBP	S	220-240V 50/60Hz ~1	RSIR	P	C	22	30	41	0.86	86	47	1.10	3.60	Lc	
 B35C	3.50	1/12	LBP	S	220V 60Hz ~1	RSIR	P	C	24	33	45	0.93	94	52	1.18	4.60	Bc	
 B35C5B	3.50	1/12	LBP	S	110-115 60Hz ~1	RSIR	P	C	26	36	49	0.94	403	56	1.20	4.60	Bb	
 B35C5BL	3.50	1/12	LBP	S	110-120 60Hz ~1	RSCR	P	C	26	36	49	1.10	103	56	1.40	4.60	Bc	
 B43CB	4.30	1/10	LBP	S	220-240V 60Hz ~1	RSIR	P	C	28	38	52	0.98	109	60	1.25	4.60	Bc	
 B43CB	4.30	1/10	LBP	S	220-240V 60Hz ~1	RSCR	P	C	31	43	58	1.06	121	67	1.35	4.60	Bc	
 B43C0	4.30	1/10	LBP	S	100V 50/60Hz ~1	RSIR	P	C	31	43	58	0.93	121	67	1.18	4.60	Bb	
 B43C5B	4.30	1/10	LBP	S	110-115V 60Hz ~1	RSIR	P	C	31	43	58	1.02	121	67	1.30	4.60	Bb	
 B52C5BL	5.20	1/8	LBP	S	110-120V 60Hz ~1	RSCR	P	C	38	53	71	1.18	149	82	1.50	5.20	Be	
 B52C0L	5.20	1/8	LBP	S	100V 50/60Hz ~1	RSIR	P	C	38	53	71	0.86	149	82	1.10	4.80	Bc	
 B60CBL	6.00	1/8	LBP	S	220-240V 60Hz ~1	RSIR	P	C	44	61	83	1.02	174	95	1.30	4.60	Bc	
 B60C5BL	6.00	1/8	LBP	S	110-120V 60Hz ~1	RSCR	P	C	44	61	82	1.10	172	94	1.40	5.20	Bd	
 HPY12AGa	12.10	1/4	LBP	S	200-220/220-230V 50/60Hz ~1	RSIR	P	C	92	126	168	1.08	351	193	1.37	10.90	Pc	
 HPY12AGb	12.10	1/4	LBP	S	200-220/220-230V 50/60Hz ~1	RSCR	P	C	92	126	168	1.08	351	193	1.37	11.01	Pc	
 HPY14AJa	14.32	1/5	LBP	S	100V 50/60Hz ~1	RSIR	P	C	101	139	187	1.06	393	215	1.34	10.75	Pd	
 HPY14AJb	14.32	1/5	LBP	S	100V 50/60Hz ~1	RSCR	P	C	101	139	187	1.12	393	215	1.41	10.86	Pd	

 Green Cooling Models W (A) x 1.15 = kcal/h (B) W (C) x 1.02 = kcal/h (D) W x 1.16 = kcal/h

 New Models

R600a HMBP | HBP • 50 Hz

MODEL	DISPLACEMENT cm ³	POWER hp	APPLICATION	CPR COOLING	VOLTAGE FREQUENCY	MOTOR	STARTING	EXPANSION	REFRIGERATION CAPACITY								WEIGHT Kg	DESIGN
									COP in W/W 1 W = 0,864 kcal/h = 3,415 BTU/h Evaporating Temperature °C									
									Cecomaf (W)				Ashrae					
									-25	-15	5		10	7.2				
											W	COP		kcal/h	COP			
HLI55MAa	5.46	1/10	HMBP	S	220-240V 50Hz ~1	RSIR	P	C	48	96	250	2.18	300	255	2.51	9.80	Lb	
HLI55MAb	5.46	1/10	HMBP	S	220-240V 50Hz ~1	RSCR	P	C	48	96	250	2.31	300	255	2.67	9.91	Lb	
HUY55MAa	5.50	1/10	HMBP	S	220-240V 50Hz ~1	RSIR	P	C	64	110	272	2.47	327	278	2.86	8.95	Ub	
HUY55MAb	5.50	1/10	HMBP	S	220-240V 50Hz ~1	RSCR	P	C	64	110	272	2.58	327	278	2.99	9.05	Ub	
HLY70MAa	6.65	1/8	HMBP	S	220-240V 50Hz ~1	RSIR	P	C	66	121	307	2.17	370	314	2.50	8.80	Lb	
HLY70MAb	6.65	1/8	HMBP	S	220-240V 50Hz ~1	RSCR	P	C	66	121	307	2.33	370	314	2.69	8.91	Lb	
HUY70MAa	6.70	1/8	HMBP	S	220-240V 50Hz ~1	RSIR	P	C	80	137	338	2.47	406	345	2.87	8.90	Ub	
HUY70MAb	6.70	1/8	HMBP	S	220-240V 50Hz ~1	RSCR	P	C	80	137	338	2.59	406	345	2.99	9.01	Ub	
HLY99RAa	9.95	1/6	HMBP	F	220-240V 50Hz ~1	CSIR	R	C-V	103	178	458	2.03	555	470	2.35	9.31	Lc	
HLY99RAb	9.95	1/6	HMBP	F	220-240V 50Hz ~1	CSR	R	C-V	103	178	458	2.21	555	470	2.57	9.41	Lc	
HPY12RAa	12.10	1/5	HMBP	F	220-240V 50Hz ~1	CSIR	R	C-V	135	236	583	2.15	700	595	2.50	10.5	Pc	
HPY12RAb	12.10	1/5	HMBP	F	220-240V 50Hz ~1	CSR	R	C-V	135	236	583	2.32	700	595	2.70	10.6	Pc	
HPY14RAa	14.32	1/5	HBP	F	220-240V 50Hz ~1	CSIR	R	C-V	-	281	668	2.08	797	680	2.40	9.74	Pc	
HPY14RAb	14.32	1/5	HBP	F	220-240V 50Hz ~1	CSR	R	C-V	-	281	668	2.26	797	680	2.61	9.84	Pc	
HPY16RAa	16.15	1/4	HMBP	F	220-240V 50Hz ~1	CSIR	R	C-V	179	310	755	2.12	904	770	2.45	10.99	Pd	
HPY16RAb	16.15	1/4	HMBP	F	220-240V 50Hz ~1	CSR	R	C-V	179	310	755	2.29	904	770	2.64	11.09	Pd	

Green Cooling Models W (A) x 1.15 = kcal/h (B) W (C) x 1.02 = kcal/h (D) W x 1.16 = kcal /h

	Conditions			
	CECOMAF		ASHRAE	
	LBP (A)	HMBP/HBP (C)	LBP (B)	HMBP/HBP (D)
Evaporating temperature °C	-25	5	-23.3	7.2
Condensing temperature °C	55	55	55	55
Liquid temperature °C	55	55	32	46
Suction temperature °C	32	32	32	35
Ambient temperature °C	32	32	32	35

Measurement conversion

R290
W (A) x 1.17 = kcal/h (B)
W (C) x 1.03 = kcal/h (D)

R600a
W (A) x 1.15 = kcal/h (B)
W (C) x 1.02 = kcal/h (D)



2

Compressors Catalogue

DC/VSC

R134a (*) HMBP • 50 | 60 Hz

Variable Speed Compressors

MODEL	DISPLACEMENT cm ³	APPLICATION	COOLING	VOLTAGE FREQUENCY	MOTOR	EXPANSION	SPEED rpm	REFRIGERATION CAPACITY						WEIGHT Kg	DESIGN	
								COP in W/W 1 W = 0,864 kcal/h = 3,415 BTU/h Evaporating Temperature °C								
								Cecomaf (W)				Ashrae				
								-25	-15	+5		+10	+7.2			
		W	COP		kcal/h	COP										
GLT99FSN	9.95	HMBP	F	220-240V 50/60Hz ~1 100-127V 50/60Hz ~1 (**)	ECM	C-V	1800	115	205	542	2.52	658	560	2.92	11.20	Lc
							2100	135	242	630	2.60	764	651	2.98		
							2400	153	275	712	2.54	860	734	2.92		
							3000	188	340	868	2.42	1046	894	2.77		
							3600	222	391	1030	2.30	1253	1065	2.62		

R134a (*) LBP | MBP | HBP • DC 50 | 60 Hz

Mobile Compressors

MODEL	DISPLACEMENT cm ³	APPLICATION	COOLING	VOLTAGE FREQUENCY	MOTOR	EXPANSION	SPEED rpm	REFRIGERATION CAPACITY						WEIGHT Kg	DESIGN	
								COP in W/W 1 W = 0,864 kcal/h = 3,415 BTU/h Evaporating Temperature °C								
								Cecomaf (W)				Ashrae				
								-30	-25		-10	+10	-23.3			
	W	COP		kcal/h	COP											
GD30FDC 12-42V	3.00	LBP MBP HBP	S / F	12-24-42V DC	ECM	C	1500	18	24	0.97	57	150	28	1.24	5.40	Db (**)
							2000	25	34	0.98	82	210	40	1.28		
							2500	30	42	0.96	104	264	50	1.26		
							3000	35	49	0.95	122	-	58	1.24		
							3500	39	54	0.94	136	-	64	1.22		
GD30FDC Dual (*)	3.00	LBP MBP HBP	S / F	12-24-42V DC 100-240V 50/60Hz	ECM	C	1500	18	24	0.97	57	150	28	1.24	5.50	Db (**)
							2000	25	34	0.98	82	210	40	1.28		
							2500	30	42	0.96	104	-	50	1.26		
							3000	35	49	0.95	122	-	58	1.24		
							3500	39	54	0.94	-	-	64	1.22		
GD30FDC 48-56V (*)	3.00	LBP MBP HBP	S / F	48-56V DC	ECM	C	1500	18	24	0.97	57	150	28	1.24	5.40	Db (**)
							2000	25	34	0.98	82	210	40	1.28		
							2500	30	42	0.96	104	264	50	1.26		
							3000	35	49	0.95	122	-	58	1.24		
							3500	39	54	0.94	136	-	64	1.22		

R134a (*) HMBP • DC

Mobile Compressors

MODEL	DISPLACEMENT cm ³	APPLICATION	COOLING	VOLTAGE FREQUENCY	MOTOR	EXPANSION	SPEED rpm	REFRIGERATION CAPACITY						WEIGHT Kg	DESIGN	
								COP in W/W 1 W = 0,864 kcal/h = 3,415 BTU/h Evaporating Temperature °C								
								Cecomaf (W)				Ashrae				
								-25	-15	+5		+10	+7.2			
		W	COP		kcal/h	COP										
GLT80TDC 24-42V	8.10	HMBP	F	24-42V DC	ECM	C	1500	78	139	362	1.93	421	369	2.19	8.40	Lc (**)
							2000	107	190	487	2.06	565	497	2.34		
							2500	135	238	601	1.99	710	613	2.26		
							3000	161	281	711	1.91	840	725	2.17		
							3500	185	320	818	1.82	962	834	2.07		

Green Cooling Models

(*) Or HFO1234yf

R134a: W (A) x 1.18 = kcal/h (B)


R134a: W (C) x 1.02 = kcal/h (D)

W x 0.86 = kcal /h

(**) Model under development


R290 HMBP • 50 | 60 Hz

Variable Speed Compressors

MODEL	DISPLACEMENT cm ³	APPLICATION	COOLING	VOLTAGE FREQUENCY	MOTOR	EXPANSION	SPEED rpm	REFRIGERATION CAPACITY						WEIGHT Kg	DESIGN	
								COP in W/W 1 W = 0,864 kcal/h = 3,415 BTU/h Evaporating Temperature °C								
								Cecomaf (W)			Ashrae					
								-25	-15	+5		+10	+7.2			
W	GOP	kcal/h	(W/W)													
 NLT60FSN (**)(**)	5.98	HMBP	F	220-240V 50/60Hz ~1 100-127V 50/60Hz ~1	ECM	C	1800	101	180	476	2.76	578	466	3.08	10.80	Lc
							2100	119	214	557	2.79	675	545	3.12		
							2400	136	244	632	2.75	764	619	3.07		
							3000	171	308	787	2.63	948	770	2.94		
							3600	203	358	940	2.55	1144	920	2.85		

R290 LBP • 50 | 60 Hz

Variable Speed Compressors

MODEL	DISPLACEMENT cm ³	APPLICATION	COOLING	VOLTAGE FREQUENCY	MOTOR	EXPANSION	SPEED rpm	REFRIGERATION CAPACITY						WEIGHT Kg	DESIGN	
								COP in W/W 1 W = 0,864 kcal/h = 3,415 BTU/h Evaporating Temperature °C								
								Cecomaf (W)			Ashrae					
								-40	-30	-25		-10	-23.3			
W	GOP	kcal/h	(W/W)													
 NPT12FSC (*)	12.10	LBP	F	220-240V 50/60Hz ~1 100-127V 50/60Hz ~1 (**)	ECM	C	1800	115	196	257	1.18	521	300	1.52	12.10	Pc
							2100	134	233	305	1.28	601	352	1.65		
							2400	152	268	349	1.26	680	405	1.63		
							3000	178	326	419	1.25	-	485	1.60		
							3600	216	393	506	1.22	-	585	1.57		

 Green Cooling Models (*) Different electronic driver depending on the voltage range. (**) Model under development. Provisional performances/data.


	Conditions			
	CECOMAF		ASHRAE	
	LBP (A)	HMBP/HBP (C)	LBP (B)	HMBP/HBP (D)
Evaporating temperature °C	-25	5	-23.3	7.2
Condensing temperature °C	55	55	55	55
Liquid temperature °C	55	55	32	46
Suction temperature °C	32	32	32	35
Ambient temperature °C	32	32	32	35

Measurement conversion

R134a R290
 W (A) x 1.15 = kcal/h (B) W (A) x 1.17 = kcal/h (B)
 W (C) x 1.02 = kcal/h (D) W (C) x 1.03 = kcal/h (D)

R600a LBP | MBP | HBP • DC 50 | 60 Hz

Mobile Compressor

MODEL	DISPLACEMENT cm ³	APPLICATION	COOLING	VOLTAGE FREQUENCY	MOTOR	EXPANSION	SPEED rpm	REFRIGERATION CAPACITY						WEIGHT Kg	DESIGN	
								COP in W/W 1 W = 0,864 kcal/h = 3,415 BTU/h Evaporating Temperature °C								
								Cecomaf (W)				Ashrae				
								-30	-25		-10	+ 10	-23.3			
W	COP	kcal/h	(W/W)													
 HD36FDC 12-42V (**) 	3.6	LBP MBP HBP	S / F	12-24-42V DC	ECM	C	1500	16	19	1.03	44	112	22	1.26	5.5	Db
							2000	20	25	1.05	58	147	28	1.28		
							2500	26	31	1.06	72	182	35	1.30		
							3000	30	37	1.02	86	216	42	1.24		
							3500	34	42	1.01	102	250	48	1.22		

 Green Cooling Models

(**) Under development

W (A) x 1.15 = kcal/h (B)

W (C) x 1.02 = kcal/h (D)

W x 1.16 = kcal /h

	Conditions			
	CECOMAF		ASHRAE	
	LBP (A)	HMBP/HBP (C)	LBP (B)	HMBP/HBP (D)
Evaporating temperature °C	-25	5	-23.3	7.2
Condensing temperature °C	55	55	55	55
Liquid temperature °C	55	55	32	46
Suction temperature °C	32	32	32	35
Ambient temperature °C	32	32	32	35

Measurement conversion

R600a

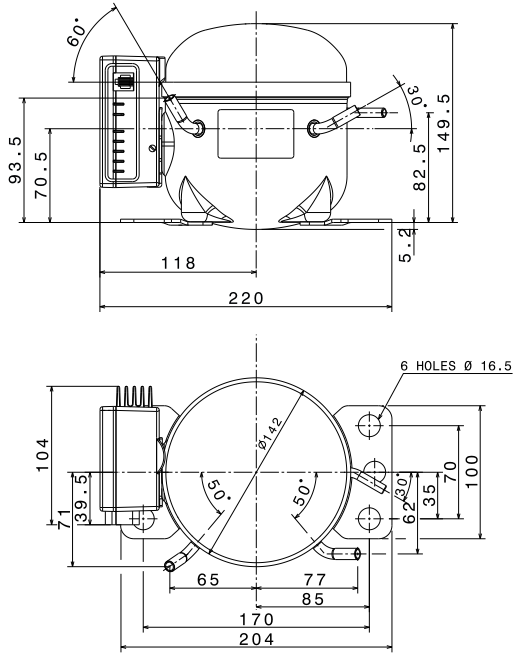
W (A) x 1.15 = kcal/h (B)

W (C) x 1.02 = kcal/h (D)

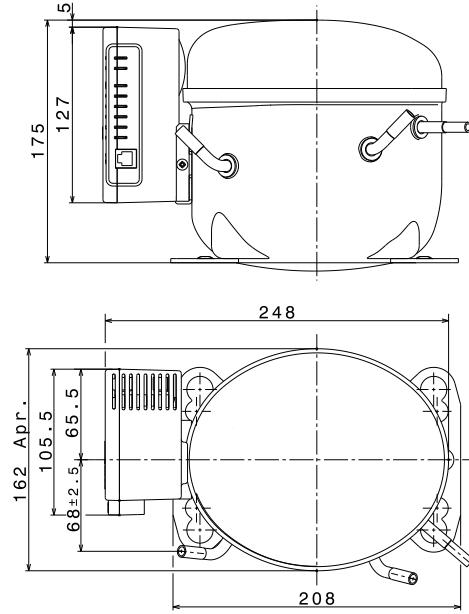
S compressor's range can be provided with tube or valve

12-42V DC Compressors

GD30FDC

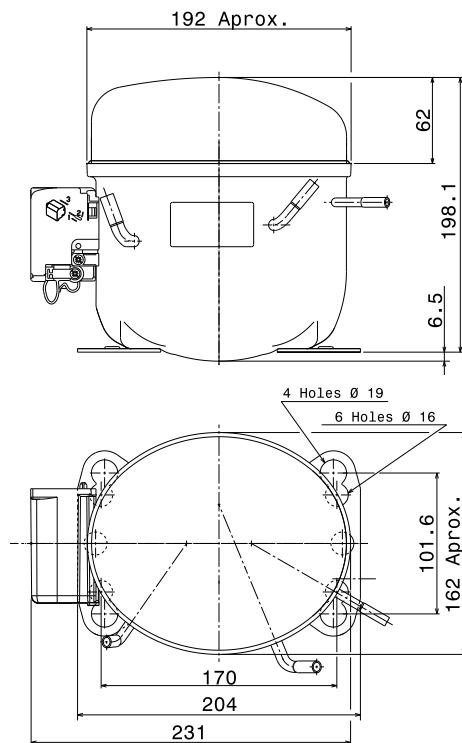


GLT80TDC

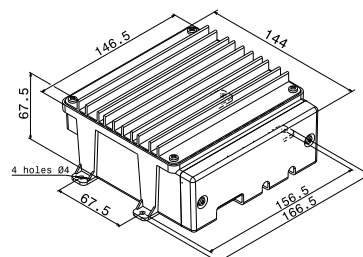
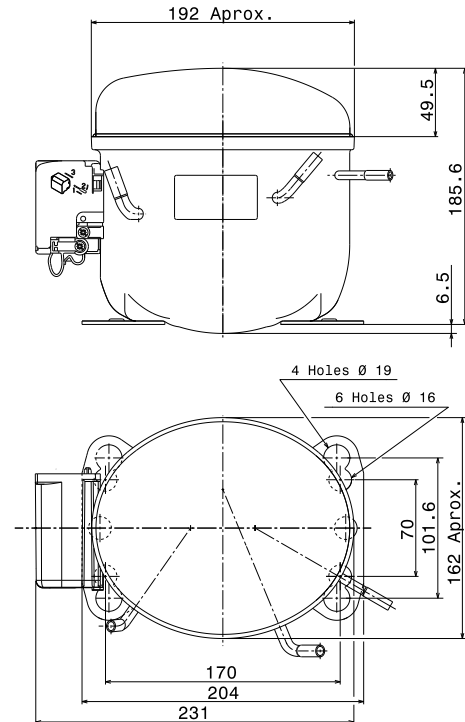


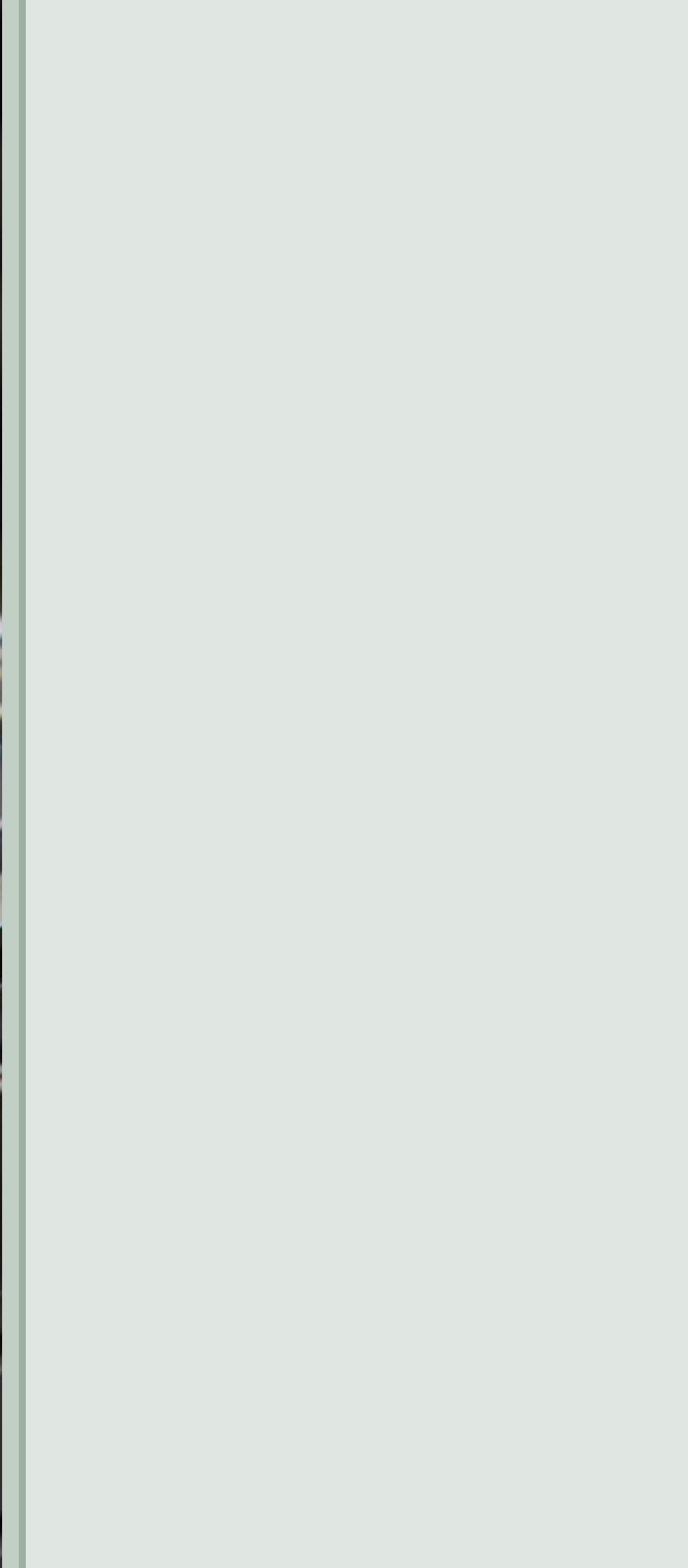
Variable Speed Compressors

NPT12FSN



GLT99FSN and NLT60FSN

























3.

Condensing Units
Catalogue

**R134a/R404A/
R290/12-42VDC**














R134a (*) HMBP | HBP • 50 Hz

MODEL	DISPLACEMENT cm ³	POWER hp	MAX. AMBIENCE TEMP. T = TROPICALIZED	APPLICATION	VOLTAGE FREQUENCY	MOTOR EXPANSION	REFRIGERATION CAPACITY							VERSION "3"							
							W				W x 3.412 = BTU/h			10	DIMENSIONS W x L x H mm	TUBES			DESIGN		
							Evaporating Temperature °C									SUCTION Inch	COMPRESSION Inch	WEIGHT Kg			
							-25	-15	-5	5	7.2		A								
				W	W inp	A															
CGL45PB_N	4.50	1/6	43	T	HMBP	220-240V 50Hz ~1	RSIR	C	108	183	286	416	448	238	1.00	491	320x425x220	3/8	1/4	14.5	3B
CGL45TB_N	4.50	1/6	43	T	HMBP	220-240V 50Hz ~1	CSIR	C-V	108	183	286	416	448	238	1.00	491	320x425x220	3/8	1/4	14.5	3B
CGL45TG_N	4.50	1/6	43	T	HMBP	200-240/220-230V 50/60Hz ~1	CSIR	C-V	109	180	279	407	439	219	1.00	482	320x425x220	3/8	1/4	14.5	3B
 CGLY45RAa_N	4.56	1/6	43	T	HMBP	220-240V 50Hz ~1	CSIR	C-V	140	208	312	452	490	235	1.00	535	320x425x235	3/8	1/4	16.0	3B
 CGLY45Rab_N	4.56	1/6	43	T	HMBP	220-240V 50Hz ~1	CSR	C-V	140	208	312	452	490	211	0.85	535	320x425x235	3/8	1/4	16.0	3B
CGL60PB_N	5.68	1/5	43	T	HMBP	220-240V 50Hz ~1	RSIR	C	130	232	361	520	558	271	1.00	609	320x425x235	3/8	1/4	17.0	3B
CGL60TB_N	5.68	1/5	43	T	HMBP	220-240V 50Hz ~1	CSIR	C-V	130	232	361	520	558	271	1.00	609	320x425x235	3/8	1/4	17.0	3B
CGL60TG_N	5.68	1/5	43	T	HMBP	200-240/220-230V 50/60Hz ~1	CSIR	C-V	136	227	366	551	599	271	1.00	662	320x425x235	3/8	1/4	17.0	3B
 CGLY60RAa_N	5.98	1/5	43	T	HMBP	220-240V 50Hz ~1	CSIR	C-V	137	251	396	573	616	264	1.00	673	340x425x235	3/8	1/4	17.0	3B
 CGLY60Rab_N	5.98	1/5	43	T	HMBP	220-240V 50Hz ~1	CSR	C-V	137	251	396	573	616	242	0.87	673	340x425x235	3/8	1/4	17.0	3A
CGL80PB_N	7.57	1/5	43	T	HMBP	220-240V 50Hz ~1	RSIR	C	166	285	441	636	684	343	2.02	747	340x425x235	3/8	1/4	17.0	3B
CGL80TB_N	7.57	1/5	43	T	HMBP	220-240V 50Hz ~1	CSIR	C-V	166	285	441	636	684	343	2.02	747	340x425x235	3/8	1/4	17.0	3B
CGL80TG_N	7.57	1/5	43	T	HMBP	200-220/220-230V 50/60Hz ~1	CSIR	C-V	178	300	473	699	755	333	2.02	831	340x425x235	3/8	1/4	17.0	3B
 CGLY80RAa_N	8.10	1/5	43	T	HMBP	220-240V 50Hz ~1	CSIR	C-V	219	351	543	795	858	349	2.02	943	340x425x235	3/8	1/4	18.5	3B
 CGLY80Rab_N	8.10	1/5	43	T	HMBP	220-240V 50Hz ~1	CSR	C-V	219	351	543	795	858	324	1.20	943	320x425x235	3/8	1/4	18.5	3A
CGL90PB_N	8.85	1/4	43	T	HMBP	220-240V 50Hz ~1	RSIR	C	203	341	533	780	842	386	2.02	924	340x425x235	3/8	1/4	18.5	3B
CGL90TB_N	8.85	1/4	43	T	HMBP	220-240V 50Hz ~1	CSIR	C-V	203	341	533	780	842	386	2.02	924	340x425x235	3/8	1/4	18.5	3B
CGL90TG_N	8.85	1/4	43	T	HMBP	200-220/220-230V 50/60Hz ~1	CSIR	C-V	193	335	529	775	836	382	1.99	917	340x425x235	3/8	1/4	18.5	3B
 CGLY90RAa_N	9.09	1/4	43	T	HMBP	220-240V 50Hz ~1	CSIR	C-V	215	360	564	827	893	437	2.30	981	350x425x270	3/8	1/4	19.5	3B
 CGLY90Rab_N	9.09	1/4	43	T	HMBP	220-240V 50Hz ~1	CSR	C-V	215	360	564	827	893	397	2.01	981	350x425x270	3/8	1/4	19.5	3A
 CGLY12RAa_N	10.70	3/8	43	T	HBP	220-240V 50Hz ~1	CSIR	C-V	-	422	662	971	1048	527	2.43	1151	350x425x270	3/8	1/4	20.5	3B
 CGLY12Rab_N	10.70	3/8	43	T	HBP	220-240V 50Hz ~1	CSR	C-V	-	422	662	971	1048	472	2.71	1151	350x425x270	3/8	1/4	20.5	3B
 CGLY12RGa_N	10.70	3/8	43	T	HBP	200-220/220-230V 50/60Hz ~1	CSIR	C-V	-	422	662	971	1048	568	2.30	1151	350x425x270	3/8	1/4	20.5	3B
 CGLY12RGb_N	10.70	3/8	43	T	HBP	200-220/220-230V 50/60Hz ~1	CSR	C-V	-	422	662	971	1048	526	2.33	1151	350x425x270	3/8	3/8	20.5	3B
 CGPY12RAa_N	12.10	3/8	43	T	HMBP	220-240V 50Hz ~1	CSIR	C-V	314	504	768	1104	1188	571	3.02	1300	350x425x270	3/8	3/8	21.5	3B
 CGPY12Rab_N	12.10	3/8	43	T	HMBP	220-240V 50Hz ~1	CSR	C-V	314	504	768	1104	1188	523	2.07	1300	350x425x270	3/8	3/8	21.5	3A
CGP14PB_N	14.17	3/8	43	T	HMBP	220-240V 50Hz ~1	RSIR	C	292	498	778	1130	1217	668	4.01	1334	350x425x270	3/8	1/4	21.5	3B
CGP14TB_N	14.17	3/8	43	T	HBP	220-240V 50Hz ~1	CSIR	C-V	-	498	778	1130	1217	668	4.01	1334	350x425x270	3/8	1/4	21.5	3B
CGP14TG_M	14.17	3/8	38	-	HBP	200-220/220-230V 50/60Hz ~1	CSIR	C-V	-	534	820	1184	1275	630	2.99	1395	350x425x270	3/8	1/4	21.5	3B
 CGPY14RAa_N	14.32	3/8	43	T	HMBP	220-240V 50Hz ~1	CSIR	C-V	442	618	867	1190	1270	623	3.56	1378	365x510x300	3/8	3/8	23.5	2D
 CGPY14Rab_N	14.32	3/8	43	T	HMBP	220-240V 50Hz ~1	CSR	C-V	442	618	867	1190	1270	579	3.02	1378	365x510x300	3/8	3/8	23.5	2E
 CGPY16RAa_N	16.15	3/8	43	T	HMBP	220-240V 50Hz ~1	CSIR	C-V	390	644	964	1350	1444	659	3.95	1568	365x510x300	3/8	3/8	23.5	2D
 CGPY16Rab_N	16.15	3/8	43	T	HMBP	220-240V 50Hz ~1	CSR	C-V	390	644	964	1350	1444	609	2.99	1568	365x510x300	3/8	3/8	23.5	2D
 CGPT16RG_N	16.15	1/2	43	T	HBP	200-220/220-230V 50/60Hz ~1	CSR	C-V	-	673	981	1397	1503	690	3.42	1644	365x510x300	3/8	3/8	23.5	2D
 CGPT18RA_N	18.00	1/2	43	T	HBP	220-240V 50Hz ~1	CSR	C-V	-	731	1066	1518	1633	753	4.03	1786	450x480x315	3/8	3/8	29.0	1E
CGX18TB_N	18.40	1/2	43	T	HMBP	220-240V 50Hz ~1	CSIR	C-V	383	674	1050	1510	1622	832	5.01	1771	365x510x300	3/8	3/8	28.5	2C
CGX18TG_N	18.40	1/2	43	T	HMBP	200-220/220-230V 50/60Hz ~1	CSIR	C-V	398	699	1079	1538	1650	758	5.01	1797	365x510x300	3/8	3/8	28.5	2C
CGX21TB_N	20.72	5/8	43	T	HMBP	220-240V 50Hz ~1	CSIR	C-V	450	759	1178	1707	1838	926	5.02	2012	450x480x315	3/8	3/8	33.0	1E
CGX23TB_N	23.20	5/8	43	T	HMBP	220-240V 50Hz ~1	CSIR	C-V	492	906	1360	1853	1967	1027	6.04	2115	450x480x315	3/8	3/8	33.0	1E
CGS26TB_N	25.93	3/4	43	T	HMBP	220-240V 50Hz ~1	CSIR	C-V	524	989	1542	2182	2335	1125	6.01	2535	425x510x350	5/8	3/8	36.0	1B
CGS26TG_M	25.93	3/4	38	-	HMBP	200-220/220-230V 50/60Hz ~1	CSIR	C-V	565	1012	1597	2320	2498	1075	7.04	2734	425x530x350	5/8	3/8	36.0	1B
CGS30TB_N	29.95	7/8	43	T	HMBP	220-240V 50Hz ~1	CSR	C-V	609	1134	1811	2640	2843	1174	6.03	3112	425x530x350	5/8	3/8	39.0	1B
CGS34TB_N	34.42	1	43	T	HMBP	220-240V 50Hz ~1	CSR	C-V	686	1283	1992	2813	3009	1358	6.03	3266	425x530x350	5/8	3/8	39.0	1B
CGS34TB_N 2F	34.42	1	43	T	HMBP	220-240V 50Hz ~1	CSR	C-V	774	1071	1818	3017	3341	1362	6.03	3785	480x650x335	5/8	3/8	41.5	6A




 Green Cooling Models (*) Or HF01234yf

 New Models

R134a (*) HMBP | HBP • 60 Hz

MODEL	DISPLACEMENT cm ³	POWER hp	MAX. AMBIENCE TEMP. T = TROPICALIZED	APPLICATION	VOLTAGE FREQUENCY	MOTOR	EXPANSION	REFRIGERATION CAPACITY W W x 0.86 = kcal/h W x 3.412 = BTU/h Evaporating Temperature °C								VERSION "3"					
								-25	-15	-5	5	7.2			10	DIMENSIONS W x L x H mm	TUBES		DESIGN		
												W	W inp	A			SUCTION Inch	COMPRESSION Inch		WEIGHT Kg	
CGL45TE_N	4.50	1/6	43	T	HMBP	115V 60Hz ~1	CSIR	C-V	135	223	345	501	540	289	3.02	591	320x425x220	3/8	1/4	14.5	3B
CGL45TG_N	4.50	1/6	43	T	HMBP	200-240/220-230V 50/60Hz ~1	CSIR	C-V	119	207	324	471	507	268	1.00	555	320x425x220	3/8	1/4	14.5	3B
CGL60TE_N	5.68	1/5	43	T	HMBP	115V 60Hz ~1	CSIR	C-V	157	278	431	616	661	315	2.99	721	320x425x235	3/8	1/4	17.0	3B
CGL60TG_N	5.68	1/5	43	T	HMBP	200-240/220-230V 50/60Hz ~1	CSIR	C-V	156	270	427	626	676	341	1.00	742	320x425x235	3/8	1/4	17.0	3B
CGL80PE_N	7.57	1/5	43	T	HMBP	115V 60Hz ~1	RSIR	C	213	358	561	822	887	412	4.02	974	340x425x235	3/8	1/4	17.0	3B
CGL80TE_N	7.57	1/5	43	T	HMBP	115V 60Hz ~1	CSIR	C-V	213	358	561	822	887	412	4.02	974	340x425x235	3/8	1/4	17.0	3B
CGL80TG_N	7.57	1/5	43	T	HMBP	200-220/220-230V 50/60Hz ~1	CSIR	C-V	208	355	559	819	884	415	2.02	970	340x425x235	3/8	1/4	17.0	3B
 CGLY80RDa_N	8.10	1/5	43	T	HMBP	115V 60Hz ~1	CSIR	C-V	229	309	615	901	972	433	4.49	1067	340x425x235	3/8	1/4	18.5	3B
 CGLY80RDb_N	8.10	1/5	43	T	HMBP	115V 60Hz ~1	CSR	C-V	229	309	615	901	972	402	3.68	1067	340x425x235	3/8	1/4	18.5	3B
CGL90TE_N	8.85	1/4	43	T	HMBP	115V 60Hz ~1	CSIR	C-V	226	400	624	899	967	489	5.01	1056	340x425x235	3/8	1/4	18.5	3B
CGL90TG_N	8.85	1/4	43	T	HMBP	200-220/220-230V 50/60Hz ~1	CSIR	C-V	231	401	623	896	963	472	1.99	1052	340x425x235	3/8	1/4	18.5	3B
 CGLY90RDa_N	9.09	1/4	43	T	HMBP	115V 60Hz ~1	CSIR	C-V	262	455	707	1017	1093	505	5.23	1194	350x425x270	3/8	1/4	19.5	3B
 CGLY90RDb_N	9.09	1/4	43	T	HMBP	115V 60Hz ~1	CSR	C-V	262	455	707	1017	1093	469	4.35	1194	350x425x270	3/8	1/4	19.5	3B
 CGLY12RGa_N	10.70	3/8	43	T	HBP	200-220/220-230V 50/60Hz ~1	CSIR	C-V	-	525	816	1173	1261	592	3.16	1378	350x425x270	3/8	1/4	20.5	3B
 CGLY12RGb_N	10.70	3/8	43	T	HBP	200-220/220-230V 50/60Hz ~1	CSR	C-V	-	525	816	1173	1261	548	2.49	1378	350x425x270	3/8	3/8	20.5	3B
CGP12TE_N	12.05	3/8	43	T	HMBP	115V 60Hz ~1	CSIR	C-V	326	547	843	1213	1304	703	7.01	1425	350x425x270	3/8	1/4	20.0	3B
 CGPY12RDa_N	12.10	3/8	43	T	HMBP	115V 60Hz ~1	CSIR	C-V	358	601	926	1333	1433	663	6.85	1566	350x425x270	3/8	1/4	22.5	3B
 CGPY12RDb_N	12.10	3/8	43	T	HMBP	115V 60Hz ~1	CSR	C-V	358	601	926	1333	1433	611	5.82	1566	350x425x270	3/8	1/4	22.5	3B
CGP14TE_M	14.17	3/8	38	-	HMBP	115V 60Hz ~1	CSIR	C-V	367	616	934	1320	1415	779	8.03	1539	350x425x270	3/8	1/4	21.5	3B
CGP14TG_M	14.17	3/8	38	-	HMBP	200-220/220-230V 50/60Hz ~1	CSIR	C-V	374	620	947	1355	1456	763	4.01	1590	350x425x270	3/8	1/4	21.5	3B
 CGPY14RDa_N	14.32	1/2	43	T	HMBP	115V 60Hz ~1	CSIR	C-V	458	759	1159	1658	1782	836	7.90	1946	365x510x300	3/8	3/8	23.5	2D
 CGPY14RDb_N	14.32	1/2	43	T	HMBP	115V 60Hz ~1	CSR	C-V	458	759	1159	1658	1782	784	7.16	1946	365x510x300	3/8	3/8	23.5	2D
 CGPY16RDa_N	16.15	1/2	43	T	HBP	200-220/220-230V 50/60Hz ~1	CSIR	C-V	487	807	1232	1763	1895	901	8.15	2069	365x510x300	3/8	3/8	23.5	2D
 CGPY16RDb_N	16.15	1/2	43	T	HBP	200-220/220-230V 50/60Hz ~1	CSR	C-V	487	807	1232	1763	1895	853	7.90	2069	365x510x300	3/8	3/8	23.5	2D
 CGPT16RG_N	16.15	1/2	43	T	HBP	200-220/220-230V 50/60Hz ~1	CSR	C-V	-	848	1204	1667	1783	790	3.42	1935	365x510x300	3/8	3/8	23.5	2D
CGX18TG_N	18.40	1/2	43	T	HMBP	200-220/220-230V 50/60Hz ~1	CSIR	C-V	506	881	1324	1835	1957	868	5.01	2116	365x510x300	3/8	3/8	28.5	2C
CGS26TG_M	25.93	3/4	38	-	HMBP	200-220/220-230V 50/60Hz ~1	CSIR	C-V	652	1177	1838	2635	2828	1368	7.04	3084	425x530x350	5/8	3/8	36.0	1B










R404A HMBP | HBP • 50 Hz

MODEL	DISPLACEMENT cm ³	POWER hp	MAX. AMBIENCE TEMP. T = TROPICALIZED	APPLICATION	VOLTAGE FREQUENCY	MOTOR	EXPANSION	REFRIGERATION CAPACITY W W x 0.86 = kcal/h W x 3.412 = BTU/h Evaporating Temperature °C								VERSION "3"					
								-25	-15	-5	5	7.2			10	DIMENSIONS W x L x H mm	TUBES		DESIGN		
												W	W inp	A			SUCTION Inch	COMPRESSION Inch		WEIGHT Kg	
CML40TB_N	4.06	1/6	43	T	HMBP	220-240V 50Hz ~1	CSIR	C-V	199	300	428	583	621	349	2.02	671	320x425x235	3/8	1/4	14.6	3B
CML45TB_N	4.50	1/5	43	T	HMBP	220-240V 50Hz ~1	CSIR	C-V	215	328	464	623	662	386	2.02	712	320x425x235	3/8	1/4	14.7	3B
CML60TB_N	5.68	1/4	43	T	HMBP	220-240V 50Hz ~1	CSIR	C-V	266	409	579	777	824	479	1.99	886	325x425x235	3/8	1/4	22.5	3B
 CMLY60RAa_N	5.98	1/4	43	T	HMBP	220-240V 50Hz ~1	CSIR	C-V	317	469	668	912	972	486	2.15	1051	345x450x270	3/8	3/8	23.0	3B
 CMLY60RAb_N	5.98	1/4	43	T	HMBP	220-240V 50Hz ~1	CSR	C-V	317	469	668	912	972	441	2.02	1051	345x450x270	3/8	3/8	23.0	3A
CML80TB_N	7.57	3/8	43	T	HMBP	220-240V 50Hz ~1	CSIR	C-V	408	567	795	1094	1170	572	3.02	1271	345x450x270	3/8	1/4	23.5	3B
CML80TG_N	7.57	3/8	43	T	HMBP	200-240/220-230V 50/60Hz ~1	CSIR	C-V	344	551	793	1070	1136	574	2.99	1223	345x450x270	3/8	1/4	23.5	3B
 CMLY80RAa_N	8.10	3/8	43	T	HMBP	220-240V 50Hz ~1	CSIR	C-V	421	646	914	1226	1301	606	2.99	1399	350x425x270	3/8	3/8	23.9	3B

 Green Cooling Models (*) Or HF01234yf
 New Models

This table continues in the following page

R404A HMBP | HBP • 50 Hz

MODEL	DISPLACEMENT cm ³	POWER hp	MAX. AMBIENCE TEMP. T = TROPICALIZED	APPLICATION	VOLTAGE FREQUENCY	MOTOR	EXPANSION	REFRIGERATION CAPACITY W Wx 0.86 = kcal/h W x 3.412 = BTU/h Evaporating Temperature °C										VERSION "3"				
								-25	-15	-5	5	7.2			10	W x L x H mm	TUBES		DESIGN			
												W	W inp	A			SUCTION Inch	COMPRESSION Inch		WEIGHT Kg		
 CMLY80RAb_N	8.10	3/8	43	T	HMBP	220-240V 50Hz ~1	CSR	C-V	421	646	914	1226	1301	560	2.68	1399	350x425x270	3/8	3/8	23.9	3A	
CML90TB_N	8.85	3/8	43	T	HMBP	220-240V 50Hz ~1	CSIR	C-V	421	646	914	1226	1301	702	2.99	1399	350x425x270	3/8	3/8	23.9	3B	
CML90TG_N	8.85	3/8	43	T	HMBP	200-220/230V 50/60Hz ~1	CSIR	C-V	412	631	893	1196	1268	689	4.02	1363	350x425x270	3/8	3/8	23.9	3B	
 CMLY90RAa_N	9.09	3/8	43	T	HMBP	220-240V 50Hz ~1	CSIR	C-V	466	712	1004	1344	1425	720	4.02	1531	365x510x300	3/8	3/8	25.0	2D	
 CMLY90RAb_N	9.09	3/8	43	T	HMBP	220-240V 50Hz ~1	CSR	C-V	466	712	1004	1344	1425	660	3.05	1531	365x510x300	3/8	3/8	25.0	2E	
CMP12TG_N	12.05	1/2	43	T	HMBP	200-220/220-230V 50/60Hz ~1	CSR	C-V	588	898	1300	1797	1918	785	4.02	2080	425x500x350	3/8	3/8	29.5	1D	
 CMPT12RA_N	12.05	1/2	43	T	HMBP	220-240V 50Hz ~1	CSR	C-V	623	958	1386	1916	2045	803	3.28	2218	425x480x350	3/8	3/8	28.9	1F	
 CMPT14RA_N	14.17	1/2	43	T	HMBP	220-240V 50Hz ~1	CSR	C-V	702	1080	1563	2161	2306	967	3.94	2501	425x500x350	3/8	3/8	29.9	1F	
 CMX16TBa_M	16.15	5/8	38	-	HMBP	220-240V 50Hz ~1	CSR	C-V	730	1160	1623	2121	2235	1202	5.02	2382	450x480x340	3/8	3/8	30.0	1C	
 CMX16TBa_N	16.15	5/8	43	T	HBP	220-240V 50Hz ~1	CSR	C-V	-	1074	1536	2084	2216	1157	5.01	2390	430x495x350	3/8	3/8	30.5	1C	
 CMX18TBa_M	18.40	7/8	38	-	HBP	220-240V 50Hz ~1	CSR	C-V	-	1206	1650	2121	2228	1375	6.01	2367	430x500x350	3/8	3/8	33.0	1C	
 CMX21TBa_N	20.72	1	43	T	HBP	220-240V 50Hz ~1	CSR	C-V	-	1265	1798	2445	2603	1384	6.0	2812	455x500x440	3/8	3/8	36.0	1C	
CMS18T3_N	18.10	7/8	43	T	HMBP	400/440V 50/60Hz ~3	3 PHASE	C-V	706	1130	1644	2249	2395	1199	2.02	2586	425x530x350	1/2	3/8	36.0	1A	
CMS22T3_M	21.75	1	38	-	HMBP	400/440V 50/60Hz ~3	3 PHASE	C-V	943	1484	2121	2854	3028	1501	1.99	3256	455x515x440	1/2	3/8	38.0	1A	
CMS22TB_N	21.75	1	43	T	HMBP	220-240V 50Hz ~1	CSR	C-V	859	1354	1975	2720	2900	1292	6.03	3139	455x525x440	1/2	3/8	41.7	1B	
CMS22TB_N2F	21.75	1	43	T	HMBP	220-240V 50Hz ~1	CSR	C-V	880	1437	2126	2948	3146	1352	6.01	3408	480x650x335	1/2	3/8	39.0	6A	
CMS26T3_N	25.93	1 3/8	43	T	HMBP	400/440V 50/60Hz ~3	3 PHASE	C-V	1206	1919	2723	3617	3826	1707	3.02	4099	455x515x440	5/8	3/8	43.2	1A	
CMS26TB_N	25.93	1 3/8	43	T	HMBP	220-240V 50Hz ~1	CSR	C-V	1183	1853	2615	3468	3668	1778	8.03	3930	455x515x440	5/8	3/8	43.7	1B	
CMS26TB_N 2F	25.93	1 3/8	43	T	HMBP	220-240V 50Hz ~1	CSR	C-V	1166	1834	2584	3417	3611	1744	8.03	3864	480x650x335	5/8	3/8	40.0	6A	
CMS34T3_N	34.42	1 5/8	43	T	HMBP	400/440V 50/60Hz ~3	3 PHASE	C-V	1527	2368	3289	4288	4519	2492	4.02	4818	455x515x440	5/8	3/8	44.0	1A	
CMS34TB_M	34.42	1 5/8	38	-	HBP	220-240V 50Hz ~1	CSR	C-V	1335	2424	3475	4485	4702	2434	12.07	4976	455x515x440	5/8	3/8	44.5	1B	
CMS34TB_M 2F	34.42	1 5/8	38	-	HBP	220-240V 50Hz ~1	CSR	C-V	1253	2237	3217	4192	4405	2532	12.07	4677	480x650x335	5/8	3/8	41.0	6A	
CMS34TB_N	34.42	1 5/8	43	T	HBP	220-240V 50Hz ~1	CSR	C-V	1369	2459	3524	4563	4788	2461	12.07	5073	455x515x440	5/8	3/8	44.5	1B	
















R404A HMBP | HBP • 60 Hz

MODEL	DISPLACEMENT cm ³	POWER hp	MAX. AMBIENCE TEMP. T = TROPICALIZED	APPLICATION	VOLTAGE FREQUENCY	MOTOR	EXPANSION	REFRIGERATION CAPACITY W Wx 0.86 = kcal/h W x 3.412 = BTU/h Evaporating Temperature °C										VERSION "3"				
								-25	-15	-5	5	7.2			10	W x L x H mm	TUBES		DESIGN			
												W	W inp	A			SUCTION Inch	COMPRESSION Inch		WEIGHT Kg		
CML80TG_N	7.57	3/8	43	T	HMBP	200-240/220-230V 50/60Hz ~1	CSIR	C - V	420	654	930	1247	1322	721	2.99	1421	345x450x270	3/8	1/4	23.5	3B	
CML90TG_N	8.86	3/8	43	T	HMBP	200-220/230V 50/60Hz ~1	CSIR	C - V	483	745	1040	1367	1443	862	4.01	1542	350x425x270	3/8	3/8	23.9	3B	
CMP12TG_N	12.05	1/2	43	T	HMBP	200-220/220-230V 50/60Hz ~1	CSR	C - V	669	1040	1467	1950	2064	988	4.01	2213	425x500x350	3/8	3/8	29.5	1D	
CMS18T3_N	18.40	7/8	43	T	HMBP	400/440V 50/60Hz ~3	3 PHASE	C - V	778	1293	1859	2476	2619	1496	2.02	2804	425x530x350	1/2	3/8	36.0	1A	
CMS22T3_M	21.75	1	38	-	HMBP	400/440V 50/60Hz ~3	3 PHASE	C - V	1079	1728	2407	3117	3277	1913	3.01	3483	455x515x440	1/2	3/8	38.0	1A	
CMS26T3_N	25.93	1 3/8	43	T	HMBP	400/440V 50/60Hz ~3	3 PHASE	C - V	1383	2202	3080	4017	4231	2189	3.02	4508	455x515x440	5/8	3/8	43.2	1A	
CMS34T3_N	34.42	1 5/8	43	T	HMBP	400/440V 50/60Hz ~3	3 PHASE	C - V	1678	2597	3511	4419	4618	3047	5.04	4871	455x515x440	5/8	3/8	44.0	1A	

 Green Cooling Models

 New Models

R404A LBP • 50 Hz

MODEL	DISPLACEMENT cm ³	POWER hp	MAX. AMBIENCE TEMP. T = TROPICALIZED	APPLICATION	VOLTAGE FREQUENCY	MOTOR	EXPANSION	REFRIGERATION CAPACITY W W x 0.86 = kcal/h W x 3.412 = BTU/h Evaporating Temperature °C							VERSION "3"					
								-23.3			-20	-10	DIMENSIONS W x L x H mm	TUBES		DESIGN				
								W	W inp	A				SUCTION Inch	COMPRESSION Inch		WEIGHT Kg			
								-40	-30											
CML45FB_N	4.50	1/6	43	T	LBP	220-240V 50Hz ~1	CSIR	C - V	95	162	220	225	1.00	253	370	320x425x220	3/8	1/4	14.5	3B
 CMLY45LAa_N	4.56	1/6	43	T	LBP	220-240V 50Hz ~1	CSIR	C - V	102	179	244	194	0.99	281	410	320x425x220	3/8	1/4	15.5	3B
 CMLY45LAb_N	4.56	1/6	43	T	LBP	220-240V 50Hz ~1	CSR	C - V	102	179	244	181	0.82	281	410	320x425x220	3/8	1/4	15.5	3A
CML60FB_N	5.68	1/5	43	T	LBP	220-240V 50Hz ~1	CSIR	C - V	122	206	277	268	0.99	316	453	320x425x220	3/8	1/4	16.5	3B
 CMLY60LAa_N	5.98	1/5	43	T	LBP	220-240V 50Hz ~1	CSIR	C - V	147	249	335	262	1.01	383	548	320x425x220	3/8	1/4	17.0	3B
 CMLY60LAb_N	5.98	1/5	43	T	LBP	220-240V 50Hz ~1	CSR	C - V	147	249	335	247	0.84	383	548	320x425x220	3/8	1/4	17.0	3A
CML80FB_N	7.57	1/4	43	T	LBP	220-240V 50Hz ~1	CSIR	C - V	169	274	357	342	1.99	401	548	320x425x220	3/8	1/4	17.2	3B
 CMLY80LAa_N	8.10	1/4	43	T	LBP	220-240V 50Hz ~1	CSIR	C - V	195	310	419	338	1.75	482	709	325x425x235	3/8	1/4	19.2	3B
 CMLY80LAb_N	8.10	1/4	43	T	LBP	220-240V 50Hz ~1	CSR	C - V	195	310	419	338	1.54	482	709	320x425x235	3/8	1/4	19.2	3A
CML90FB_N	8.86	1/3	43	T	LBP	220-240V 50Hz ~1	CSIR	C - V	195	310	419	355	1.99	482	709	325x425x235	3/8	1/4	19.2	3B
 CMLY90LAa_N	9.09	1/4	43	T	LBP	220-240V 50Hz ~1	CSIR	C - V	267	370	477	373	2.00	541	779	340x425x245	3/8	1/4	19.2	3B
 CMLY90LAb_N	9.09	1/4	43	T	LBP	220-240V 50Hz ~1	CSR	C - V	267	370	477	373	1.87	541	779	340x425x245	3/8	1/4	19.2	3A
 CMLY12LAb_N	10.70	3/8	43	T	LBP	220-240V 50Hz ~1	CSIR	C - V	331	459	592	446	2.35	671	967	340x425x245	3/8	1/4	21.5	3B
 CMLY12LAa_N	10.70	3/8	43	T	LBP	220-240V 50Hz ~1	CSIR	C - V	331	459	592	419	1.71	671	967	340x425x245	3/8	1/4	21.5	3B
 CMLY12LA_N	12.10	3/8	43	T	LBP	220-240V 50Hz ~1	CSR	C - V	308	487	638	450	1.87	722	1012	350x425x270	3/8	1/4	20.7	3A
CMP14FB_N	14.17	1/2	43	T	LBP	220-240V 50Hz ~1	CSIR	C - V	267	461	620	567	2.87	707	1006	340x425x245	3/8	1/4	22.3	1F
 CMP14LA_N	14.32	1/2	43	T	LBP	220-240V 50Hz ~1	CSR	C - V	378	586	743	535	1.98	825	1093	425x340x270	3/8	3/8	23.9	3A
 CMP16LA_N	16.15	1/2	43	T	LBP	220-240V 50Hz ~1	CSR	C - V	432	669	848	601	2.15	942	1248	350x510x275	3/8	3/8	24.8	2E
 CMP18LA_N	18.00	1/2	43	T	LBP	220-240V 50Hz ~1	CSR	C - V	470	726	920	672	2.30	1020	1350	365x510x305	3/8	3/8	29.8	2E
CMX18FBa_N	18.40	5/8	43	T	LBP	220-240V 50Hz ~1	CSR	C - V	349	611	820	639	2.97	933	1313	350x510x275	3/8	3/8	28.0	2E
CMX21FBa_N	20.72	3/4	43	T	LBP	220-240V 50Hz ~1	CSR	C - V	544	840	1062	712	2.98	1178	1560	365x510x305	3/8	3/8	29.8	2E
 CMX23FBa_M	23.2	7/8	38	-	LBP	220-240V 50Hz ~1	CSR	C - V	667	973	1209	813	3.97	1334	1750	365x510x305	3/8	3/8	30.3	2A
CMS26FB_N	25.93	3/4	43	T	LBP	220-240V 50Hz ~1	CSR	C - V	523	1028	1400	883	3.97	1593	2217	425x510x350	1/2	3/8	39.0	1B
CMS30FB_N	29.95	7/8	43	T	LBP	220-240V 50Hz ~1	CSR	C - V	617	1132	1518	1120	4.96	1721	2385	425x530x350	5/8	3/8	39.0	1B
CMS34F3_N	34.42	1	43	T	LBP	400/440V 50/60Hz ~3	3 PHASE	C - V	627	1139	1535	1209	1.99	1746	2448	425x530x350	5/8	3/8	44.0	1A
CMS34FB_N	34.42	1	43	T	LBP	220V 50Hz ~1	CSR	C - V	826	1210	1638	1209	5.95	1899	2892	425x530x350	5/8	3/8	39.5	1B
CMS34FBb_N	34.42	1	43	T	LBP	220V 50Hz ~1	CSR	C - V	826	1210	1638	1209	5.95	1899	2892	425x530x350	5/8	3/8	39.5	1B










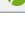
R404A LBP • 60 Hz

MODEL	DISPLACEMENT cm ³	POWER hp	MAX. AMBIENCE TEMP. T = TROPICALIZED	APPLICATION	VOLTAGE FREQUENCY	MOTOR	EXPANSION	REFRIGERATION CAPACITY W W x 0.86 = kcal/h W x 3.412 = BTU/h Evaporating Temperature °C							VERSION "3"					
								-23.3			-20	-10	DIMENSIONS W x L x H mm	TUBES		DESIGN				
								W	W inp	A				SUCTION Inch	COMPRESSION Inch		WEIGHT Kg			
								-40	-30											
CMP14FE_N	14.17	1/2	43	T	LBP	115V 60Hz ~1	CSIR	C - V	335	561	752	739	8.97	859	1229	345x450x270	3/8	1/4	20.8	3B
CMS34F3_N	34.42	1	43	T	LBP	400/440V 50/60Hz ~3	3 PHASE	C - V	649	1247	1680	1415	1.98	1903	2616	425x530x350	5/8	3/8	44.0	1A






 Green Cooling Models

 New Models

R290 HMBP • 50 Hz

MODEL	DISPLACEMENT cm ³	POWER hp	MAX. AMBIENCE TEMP. T = TROPICALIZED	APPLICATION	VOLTAGE FREQUENCY	MOTOR	EXPANSION	REFRIGERATION CAPACITY W W x 0.86 = kcal/h W x 3.412 = BTU/h Evaporating Temperature °C								VERSION "3"				DESIGN	
								-25	-15	-5	5	7.2			10	DIMENSIONS W x L x H mm	TUBES		WEIGHT Kg		
												W	W inp	A			SUCTION Inch	COMPRESSION Inch			
 CNLY60RAa_N	5.98	1/4	43	T	HMBP	220-240V 50Hz ~1	CSIR	C - V	259	395	581	819	878	365	2.10	957	340x425x245	3/8	1/4	24.0	3B
 CNLY60RAb_N	5.98	1/4	43	T	HMBP	220-240V 50Hz ~1	CSR	C - V	259	395	581	819	878	335	1.85	957	340x425x245	3/8	1/4	24.0	3A
 CNLY80RAa_N	8.10	3/8	43	T	HMBP	220-240V 50Hz ~1	CSIR	C - V	343	524	771	1087	1165	512	2.32	1270	325x425x270	3/8	1/4	23.9	3B
 CNLY80RAb_N	8.10	3/8	43	T	HMBP	220-240V 50Hz ~1	CSR	C - V	343	524	771	1087	1165	470	1.95	1270	325x425x270	3/8	1/4	23.9	3A
 CNLY90RAa_N	9.09	3/8	43	T	HMBP	220-240V 50Hz ~1	CSIR	C - V	355	541	797	1123	1204	554	2.78	1312	325x425x270	3/8	1/4	24.2	3B
 CNLY90RAb_N	9.09	3/8	43	T	HMBP	220-240V 50Hz ~1	CSR	C - V	355	541	797	1123	1204	503	2.03	1312	325x425x270	3/8	1/4	24.2	3A
 CNPY12RAB_N	12.10	1/2	43	T	HBP	220-240V 50Hz ~1	CSIR	C - V	-	826	1238	1753	1880	670	3.40	2047	425x480x350	3/8	3/8	28.9	1F
 CNPY12RAa_N	12.10	1/2	43	T	HBP	220-240V 50Hz ~1	CSR	C - V	-	826	1238	1753	1880	608	2.70	2047	425x480x350	3/8	3/8	28.9	1F
 CNPT14RA_N	14.32	1/2	43	T	HBP	220-240V 50Hz ~1	CSR	C - V	-	979	1468	2079	2229	724	3.05	2427	425x340x270	3/8	3/8	23.9	1F
 CNX18TB_M	18.00	7/8	38	-	HMBP	220-240V 50Hz ~1	CSR	C - V	694	1059	1559	2195	2353	982	3.99	2564	430x500x350	3/8	3/8	33.0	1C

R290 LBP • 50 Hz

MODEL	DISPLACEMENT cm ³	POWER hp	MAX. AMBIENCE TEMP. T = TROPICALIZED	APPLICATION	VOLTAGE FREQUENCY	MOTOR	EXPANSION	REFRIGERATION CAPACITY W W x 0.86 = kcal/h W x 3.412 = BTU/h Evaporating Temperature °C								VERSION "3"				DESIGN
								-40	-30	-23.3			-20	-10	DIMENSIONS W x L x H mm	TUBES		WEIGHT Kg		
										W	W inp	A				SUCTION Inch	COMPRESSION Inch			
 CNLY45LAa_N	4.56	1/6	43	T	LBP	220-240V 50Hz ~1	CSIR	C - V	103	175	238	172	1.00	270	383	320x425x220	3/8	1/4	15.5	3B
 CNLY45LAb_N	4.56	1/6	43	T	LBP	220-240V 50Hz ~1	CSR	C - V	103	175	238	160	0.87	270	383	320x425x220	3/8	1/4	15.5	3A
 CNLY60LAa_N	5.98	1/5	43	T	LBP	220-240V 50Hz ~1	CSIR	C - V	137	205	272	211	1.02	307	443	320x425x220	3/8	1/4	17.0	3B
 CNLY60LAb_N	5.98	1/5	43	T	LBP	220-240V 50Hz ~1	CSR	C - V	137	205	272	199	0.95	307	443	320x425x220	3/8	1/4	17.0	3A
 CNLY80LAa_N	8.10	1/4	43	T	LBP	220-240V 50Hz ~1	CSIR	C - V	198	266	334	260	2.02	371	514	320x425x220	3/8	1/4	20.0	3B
 CNLY80LAb_N	8.10	1/4	43	T	LBP	220-240V 50Hz ~1	CSR	C - V	198	266	334	251	1.92	371	514	320x425x220	3/8	1/4	20.0	3A
 CNLY90LAa_N	9.09	1/3	43	T	LBP	220-240V 50Hz ~1	CSIR	C - V	220	321	412	305	2.1	460	638	340x425x245	3/8	1/4	19.2	3B
 CNLY90LAb_N	9.09	1/3	43	T	LBP	220-240V 50Hz ~1	CSR	C - V	220	321	412	293	1.89	460	638	340x425x245	3/8	1/4	19.2	3A
 CNPY12LAa_N	12.10	3/8	43	T	LBP	220-240V 50Hz ~1	CSIR	C - V	273	455	588	425	3.02	634	870	350x425x270	3/8	1/4	23.0	2D
 CNPY12LAb_N	12.10	3/8	43	T	LBP	220-240V 50Hz ~1	CSR	C - V	273	455	588	414	2.98	634	870	350x425x270	3/8	1/4	23.0	2E
 CNPY14LAa_N	14.32	1/2	43	T	LBP	220-240V 50Hz ~1	CSIR	C - V	302	502	654	481	2.98	730	986	350x425x270	3/8	1/4	23.5	2D
 CNPY14LAb_N	14.32	1/2	43	T	LBP	220-240V 50Hz ~1	CSR	C - V	302	502	654	465	2.35	730	986	350x425x270	3/8	1/4	23.5	2E
 CNPT16LA_N	16.15	1/2	43	T	LBP	220-240V 50Hz ~1	CSR	C - V	351	583	759	532	2.71	847	1144	350x510x275	3/8	3/8	24.8	2E

 Green Cooling Models

 New Models

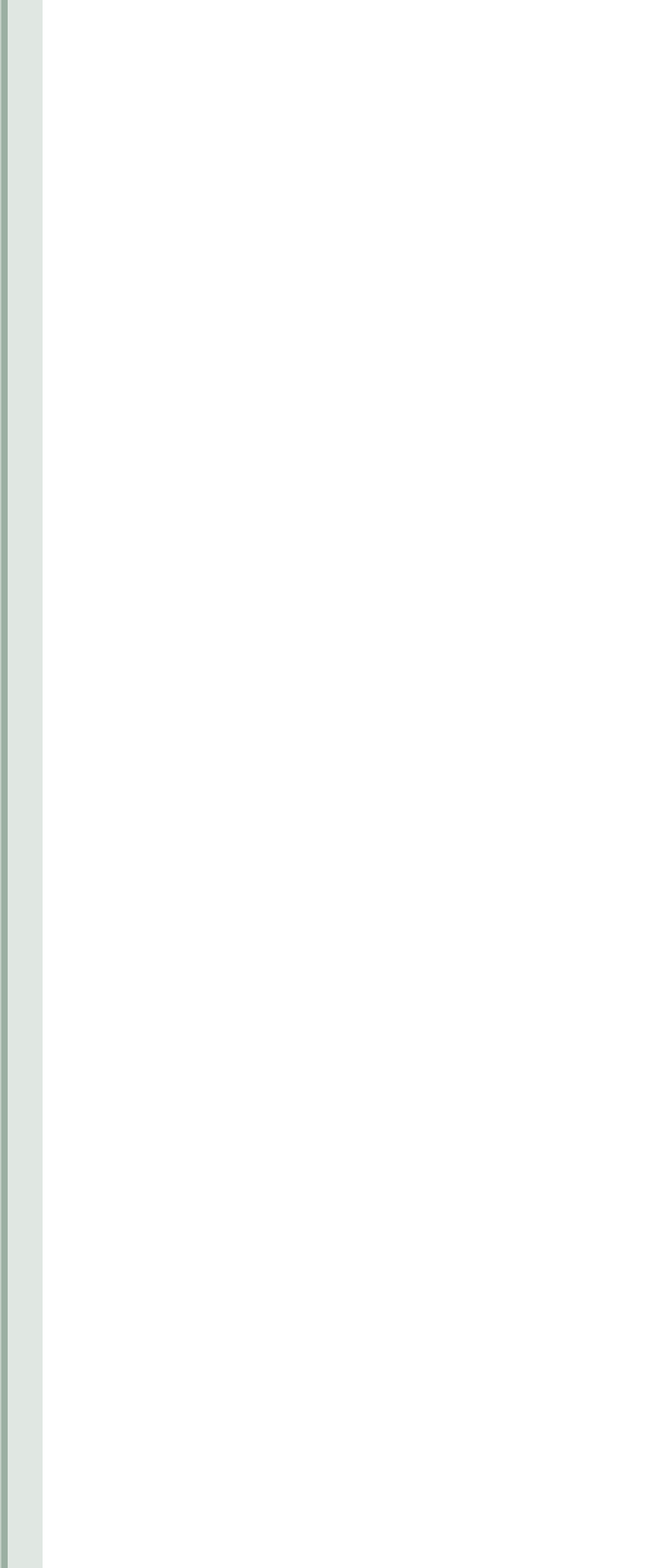
R134a LBP | MBP | HBP 12-42V

MODEL	DISPLACEMENT cm ³	POWER hp	MAX. AMBIENCE TEMP. T = TROPICALIZED	APPLICATION	VOLTAGE FREQUENCY	MOTOR	REFRIGERATION CAPACITY												VERSION "3"				
							W W x 0.86 = kcal/h W x 3.412 = BTU/h Evaporating Temperature °C												DIMENSIONS W x L x H mm	TUBES			DESIGN
							rpm	-30	-23.3				-15	-5	5	10	Inch	COMPRESSION Inch		WEIGHT Kg			
									W	W inp	COP	A											
CGD30FDC	3.00	1/10	43	T	LBP / MBP / HBP	12-42V DC	ECM	1500	28	41	27	1.52	2.23	63	102	155	186	167x293x159	5/8" 18 UNF male	5/8" 18 UNF female	8.00	5A	
								2000	38	52	37	1.43	3.08	80	127	185	221						
								2500	44	61	46	1.33	3.84	97	151	215	256						
								3000	50	72	58	1.24	4.85	114	174	-	-						
								3500	56	85	71	1.20	5.93	134	-	-	-						

	Conditions			
	CECOMAF		ASHRAE	
	LBP (A)	HMBP/HBP (C)	LBP (B)	HMBP/HBP (D)
Evaporating temperature °C	-25	5	-23.3	7.2
Condensing temperature °C	55	55	55	55
Liquid temperature °C	55	55	32	46
Suction temperature °C	32	32	32	35
Ambient temperature °C	32	32	32	35

Measurement conversion

R134	R290	R404A
W (A) x 1.18 = kcal/h (B)	W (A) x 1.17 = kcal/h (B)	W (A) x 1.29 = kcal/h (B)
W (C) x 1.02 = kcal/h (D)	W (C) x 1.03 = kcal/h (D)	W (C) x 1.08 = kcal/h (D)

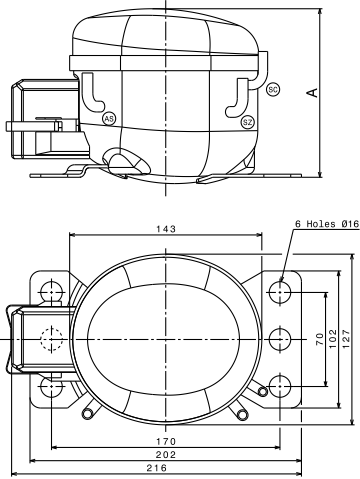


4.

Technical Information

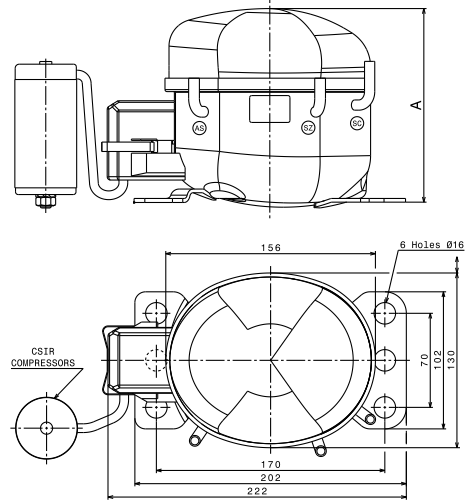
Compressor Dimensional Drawings

Small L range



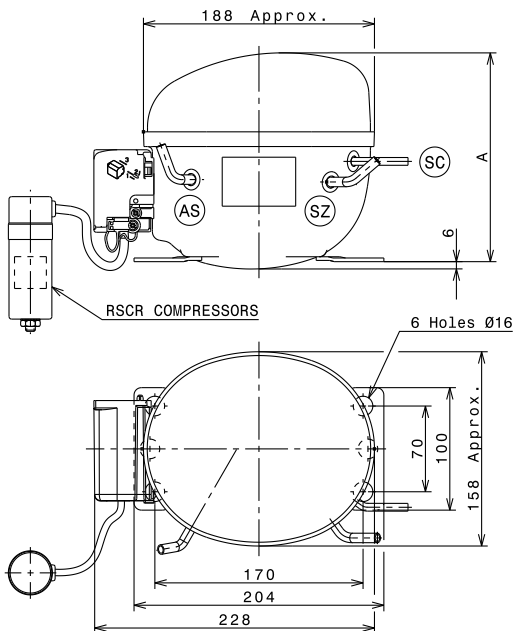
	Designation	Internal diam.		A (mm)
AS	Suction	6.2	Lb	125.5
SC	Discharge	4.9	Lc	129
SZ	Service	6.2	Ld	138
			Le	141

B range



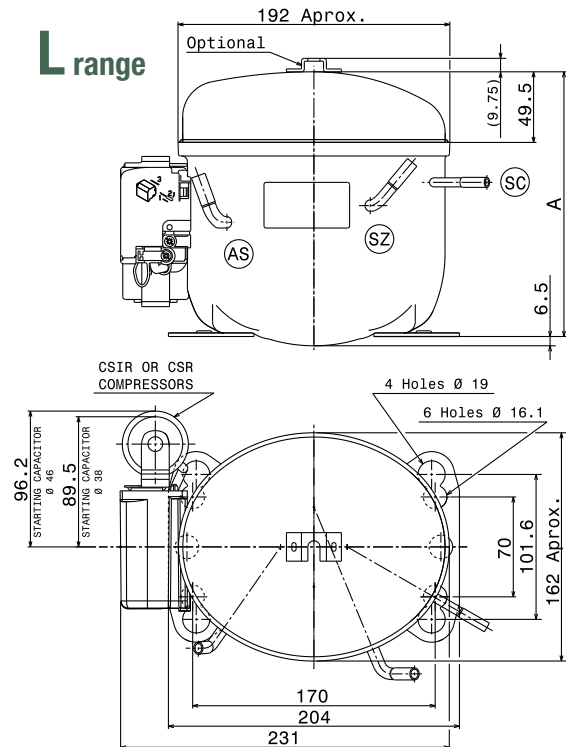
	Designation	Internal diam.		A (mm)
AS	Suction	6.2	Bb	141
SC	Discharge	4.9	Bc	145
SZ	Service	6.2	Bd	153
			Be	159

U range



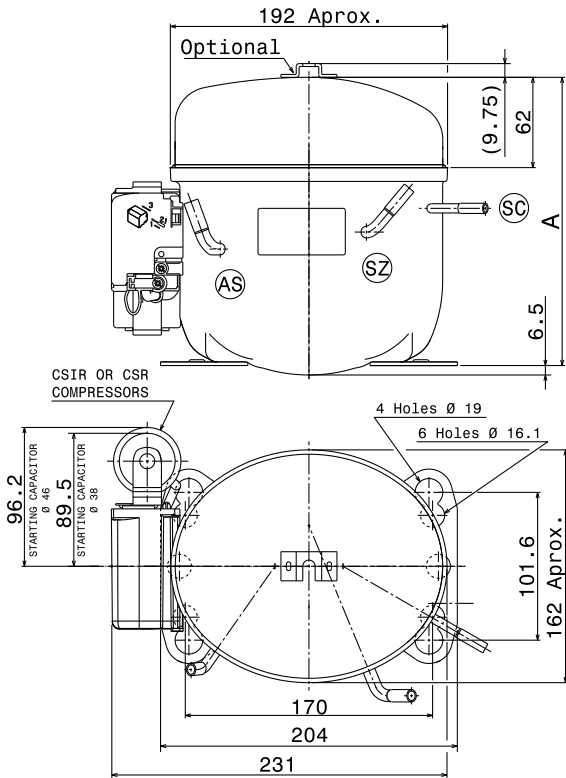
	A (mm)	LEGEND	
Ub	173.5	AS	Suction/Service
Uc	176.5	SC	Discharge
		SZ	Service/Suction

L range



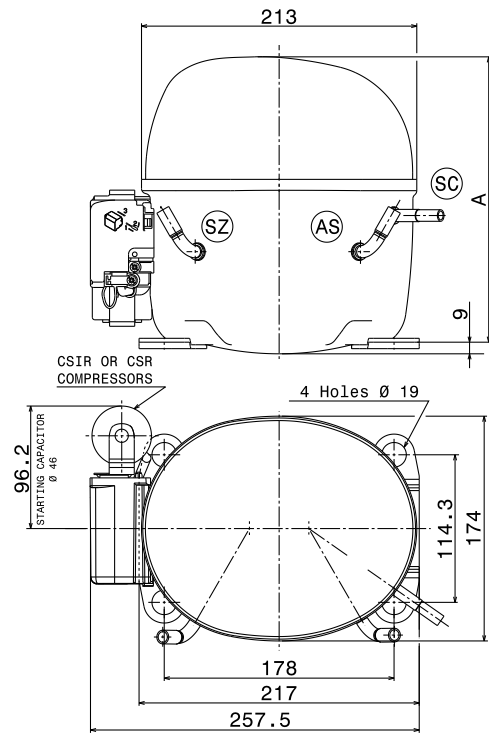
	A (mm)	LEGEND	
Lb	175	AS	Suction/Service
Lc	185.6	SC	Discharge
Ld	198	SZ	Service/Suction

P range



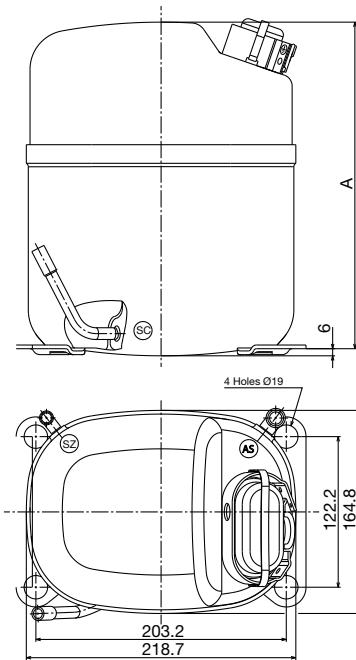
	A (mm)	LEGEND	
Pc	198.1	AS	Suction/Service
Pd	210.5	SC	Discharge
		SZ	Service/Suction

X range



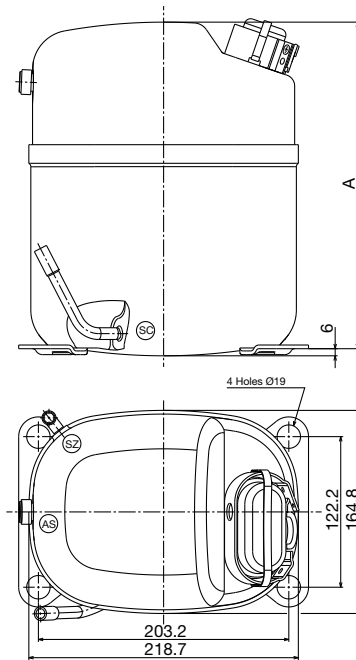
	A (mm)	LEGEND	
Xc	215	AS	Suction/Service
Xd	221	SC	Discharge
		SZ	Service/Suction

S range (Tube)



	A (mm)	LEGEND (TUBE)	
Sb	252	AS	Suction/Service
Sc	265	SC	Discharge
Sd	276	SZ	Service/Suction

S range (Valve)



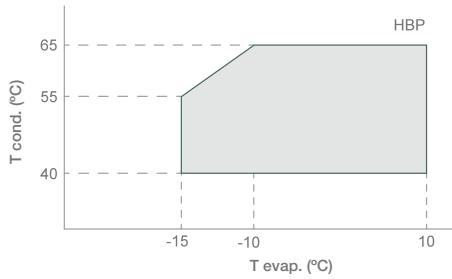
	A (mm)	LEGEND (VALVE)	
Sb	252	AS	Valve Service
Sc	265	SC	Discharge
Sd	276	SZ	Service/Suction

SOA - Safe Operating Area

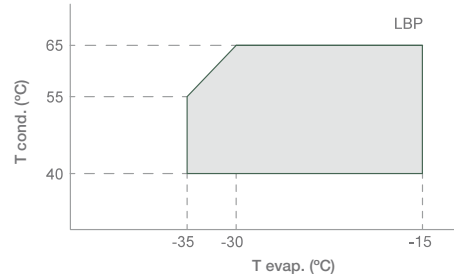
In order to grant the compressor reliability it is recommended that the point representing the operating conditions (suction and discharge pressures) falls within the shadowed area of the corresponding graph.

For Small L and B ranges:

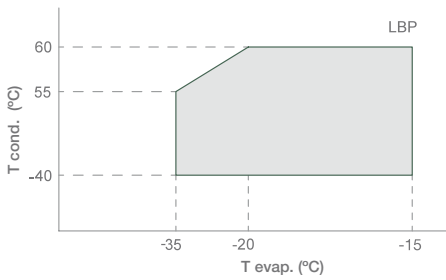
SOA R134a HBP



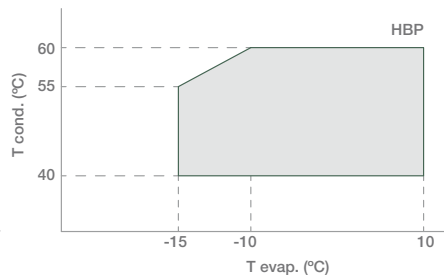
SOA R134a LBP



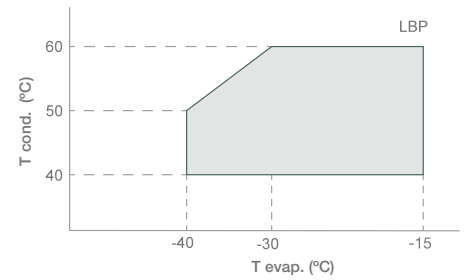
SOA R600a LBP



SOA R290 HBP

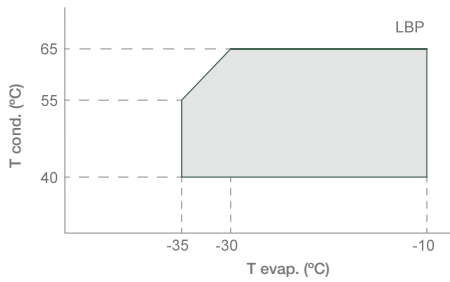


SOA R290 LBP

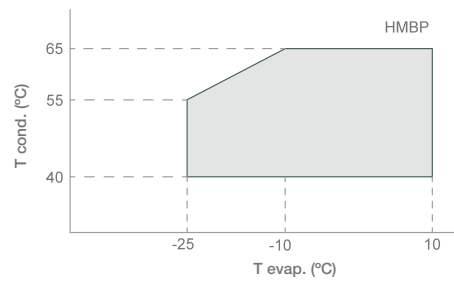


For U, L, P, X and S ranges:

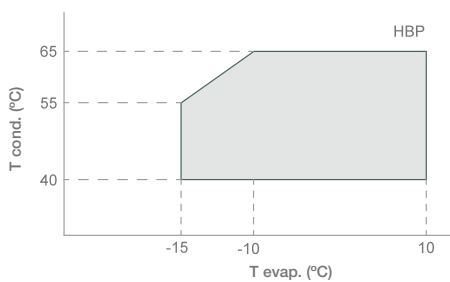
SOA R134a LBP



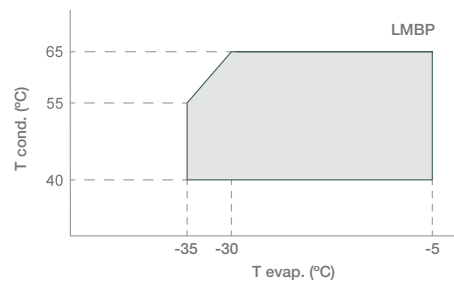
SOA R134a HMBP



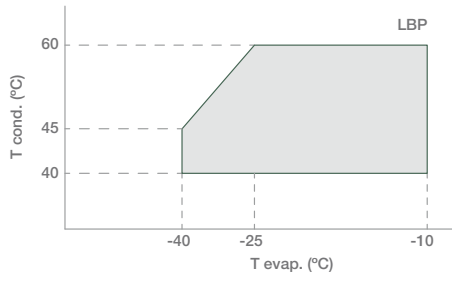
SOA R134a HBP



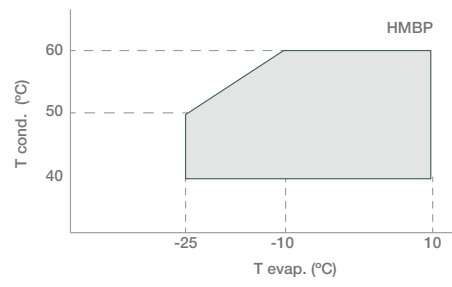
SOA R134a LMBP



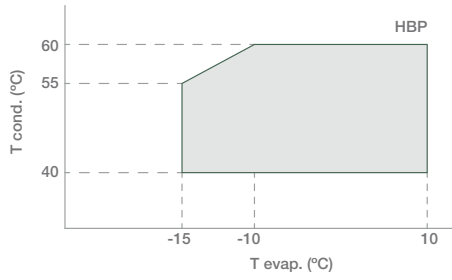
SOA R404A LBP



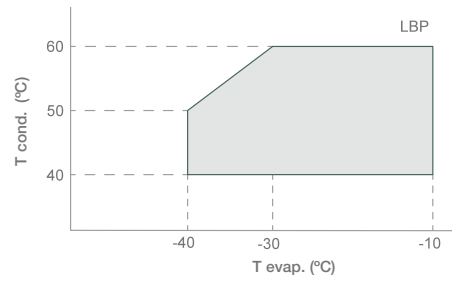
SOA R404A HMBP



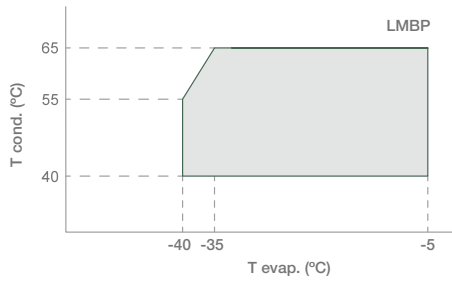
SOA R404A HBP



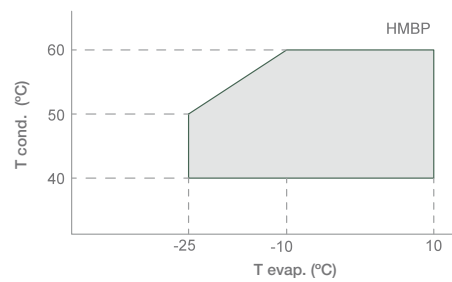
SOA R290 LBP



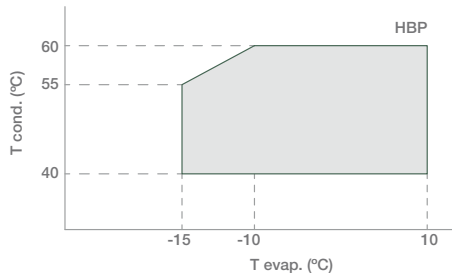
SOA R290 LMBP



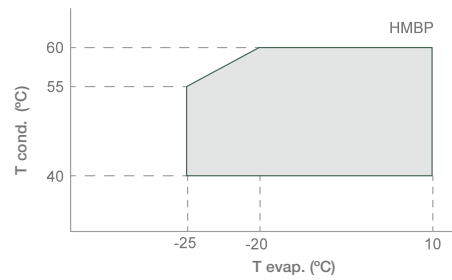
SOA R290 HMBP



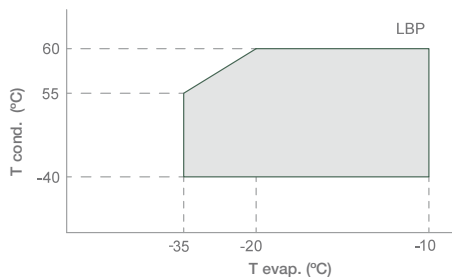
SOA R290 HBP



SOA R600a HMBP

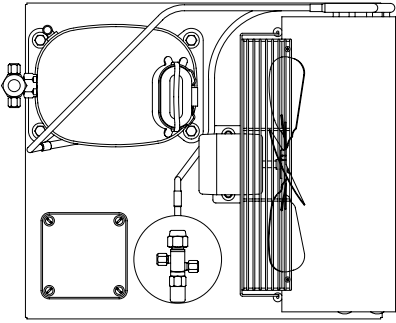


SOA R600a LBP

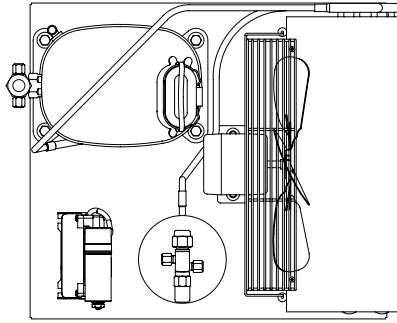


Condensing Unit Layouts

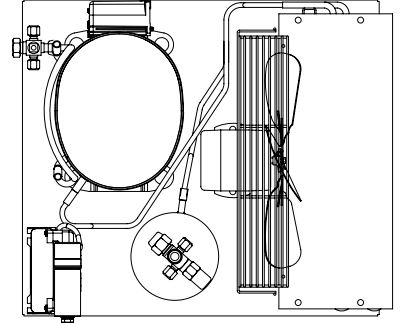
1A



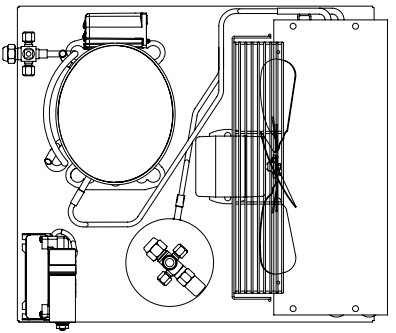
1B



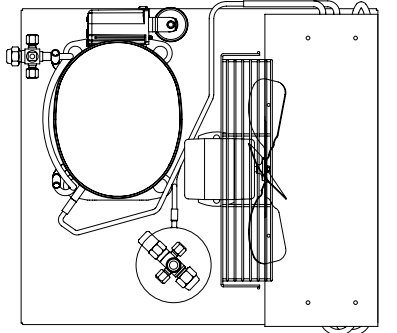
1C



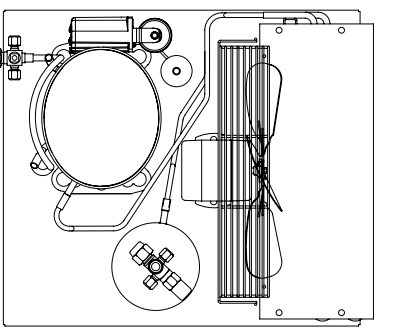
1D



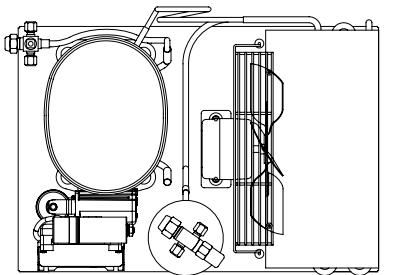
1E



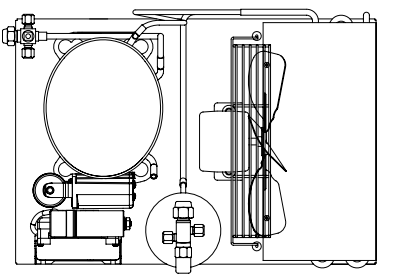
1F



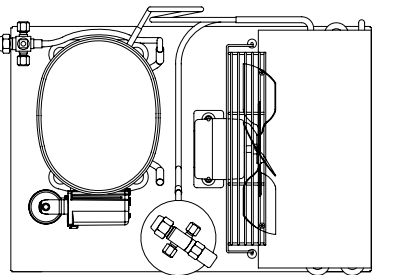
2A



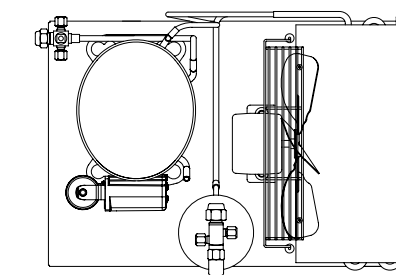
2B



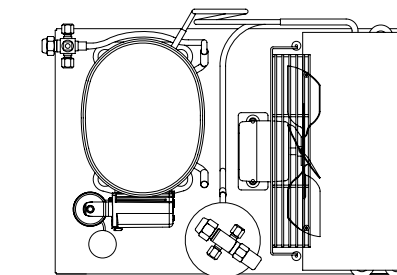
2C



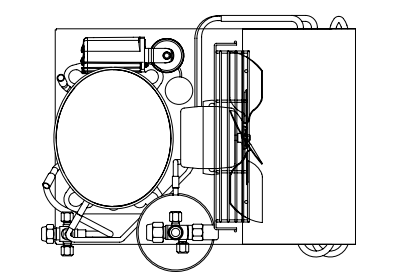
2D



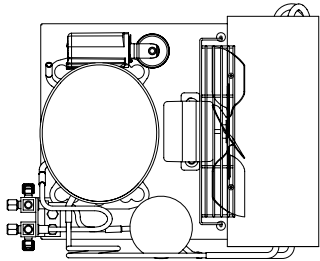
2E



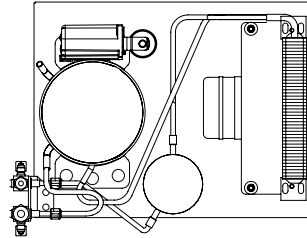
3A



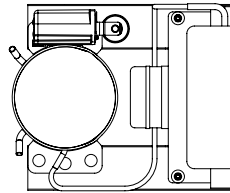
3B



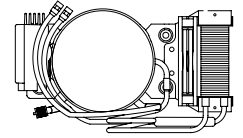
3C



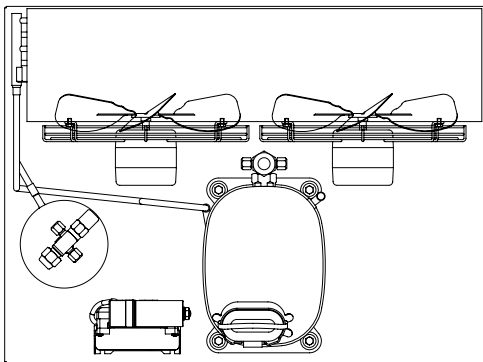
4A



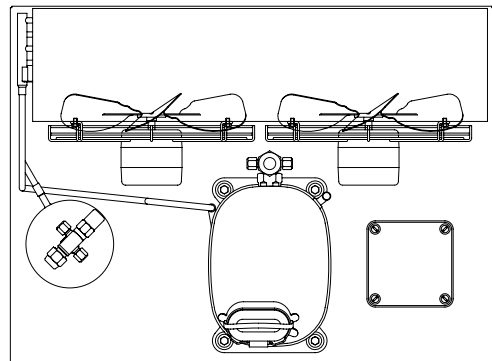
5A



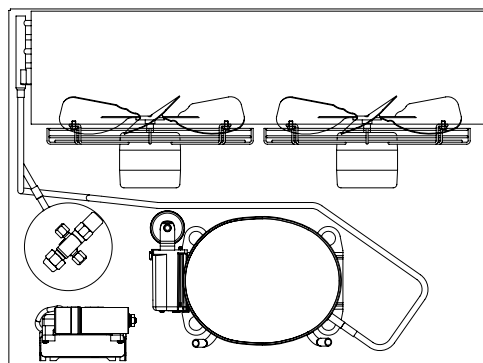
6A



6B



6C



Packaging

Single Box

	Range	Box dimensions (mm)			Pallet dimensions (mm)	
		Length	Width	Height	Length	Width
Compressors	Small L	257	172	141/151	1010	1010
	B	257	172	151/166	1010	1010
	U	300	192	167/185	1200	1050
	L & P	300	192	167/185/198/214	1200	1050
	X & P (w/ connecting box)	320	192	222	1050	1050
	X	347	207	230	1050	1050
	S	282	215	363	1010	1010
Condensing Units (CU)	Versions 3A,3B,3C	484	380	260	1200	1050
	Versions 2A,2B,2C,2D,2E	556	442	302	1360	1150
	Versions 1A,1B,1C,1D,1E,1F	577	537	345/440	1160	1100
	Versions 6A,6B	670	500	280	1360	1150
	Versions 6C	670	500	335	1360	1150

Tray

	Range	Tray dimensions (mm)		Pallet dimensions (mm)	
		Length	Width	Length	Width
Compressors	Small L	1110	815	1135	830
	B	1110	815	1135	830
	U (TIR)	1120	810	1200	800
	U (Container)	1120	810	1120	800
	L & P	1060	990	1050	1050
	X	1050	1020	1050	1050
	S	1050	1050	1050	1050
CU	Versions 3A,3B,3C	374	290	1200	1050

Quantities by Pallet Compressors

Range	Tray			Single Box		
	Qty / Level	N° Levels	Qty / Pallet	Qty / Level	No. Levels	Qty / Pallet
Small L	25	6	150	24	5	120
B	25	5	125	24	5	120
U	18	5	90	20	5	100
L	24	5	120	20	5	100
P	24	5	120	20	5	100
P w/ connecting Box	24	5	120	16	4	64
X	17	4	68	16	4	64
X w/ connecting Box	17	4	68	15	4	60
S	24	2	48	16	3	48

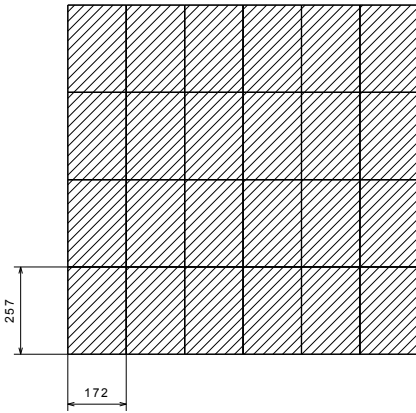
Quantities by Pallet Condensing Units

Range	Tray			Single Box		
	Qty / Level	N° Levels	Qty / Pallet	Qty / Level	No. Levels	Qty / Pallet
Versions 3A,3B,3C	8	4	32	6	4 or 3	24 or 18
Versions 2A,2B,2C,2D,2E	-	-	-	6	3 or 2	18 or 12
Versions 1A,1B,1C,1D,1E,1F	-	-	-	4	3 or 2	12 or 8
Versions 6A,6B	-	-	-	4	2 or 3	8 or 12
Versions 6C	-	-	-	4	2 or 3	8 or 12
Esp (360x310 / 350x270)	9	4	36	-	-	-

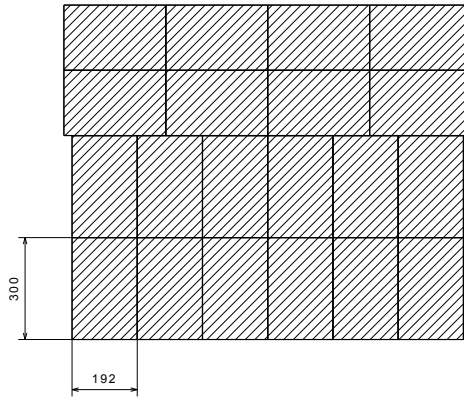
Pallet Product Layout

Single Box Pallet Distribution

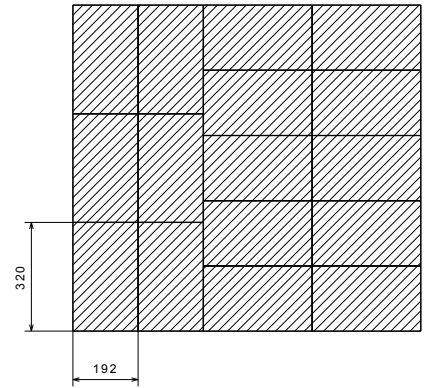
Small L & B Range



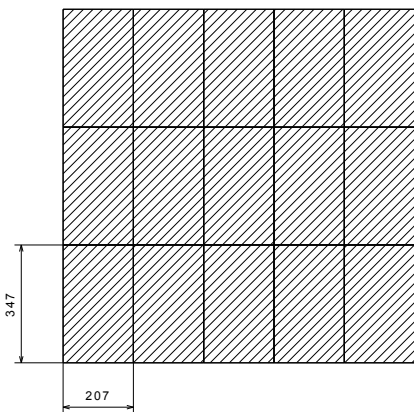
U, L & P Ranges



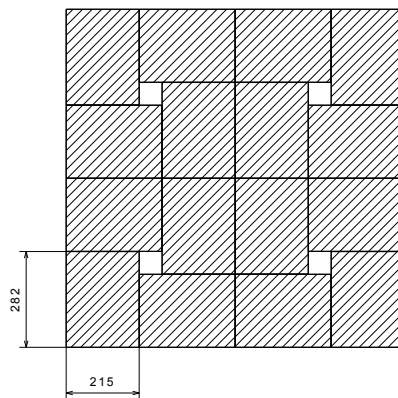
P Range with connecting box and X Range



X Range with connecting box

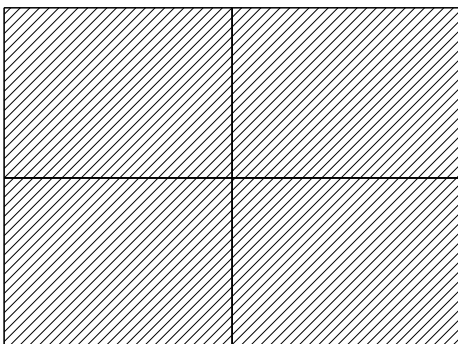


S Range

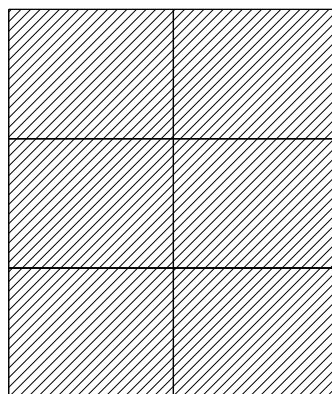


Condensing Units Single Box Pallet Distribution

Versions 1A,1B,1C,1D,1E,1F
Versions 6A,6B,6C

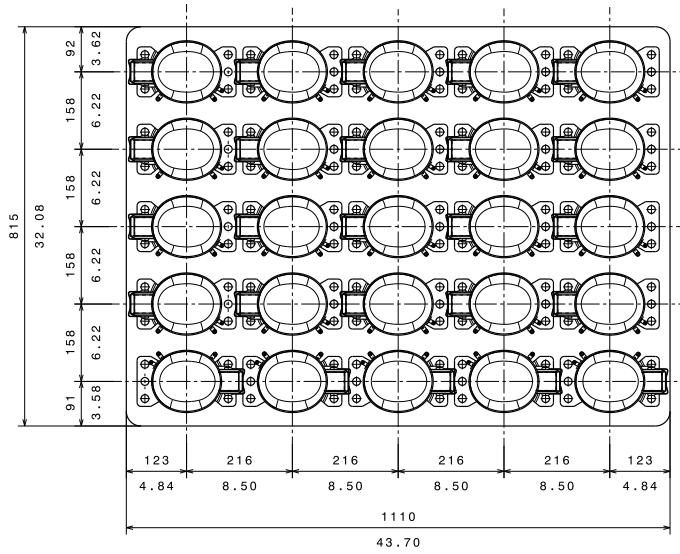


Versions 2A,2B,2C,2D,2E
Versions 3A,3B,3C

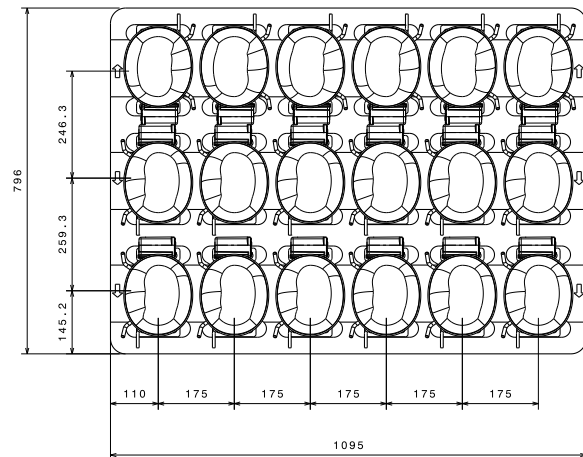


Tray per Pallet

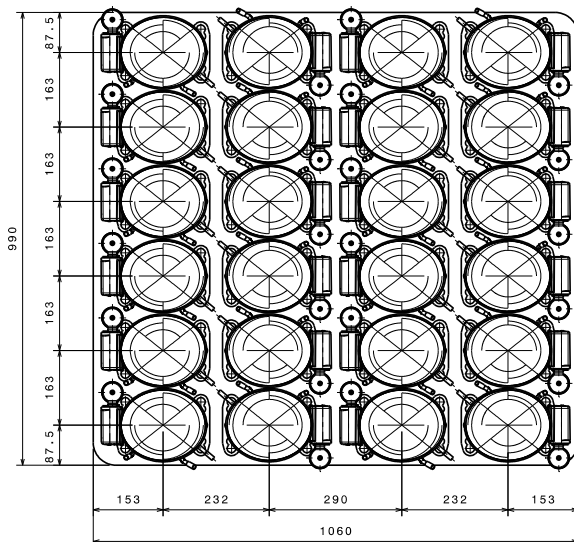
Small L & B compressor tray distribution



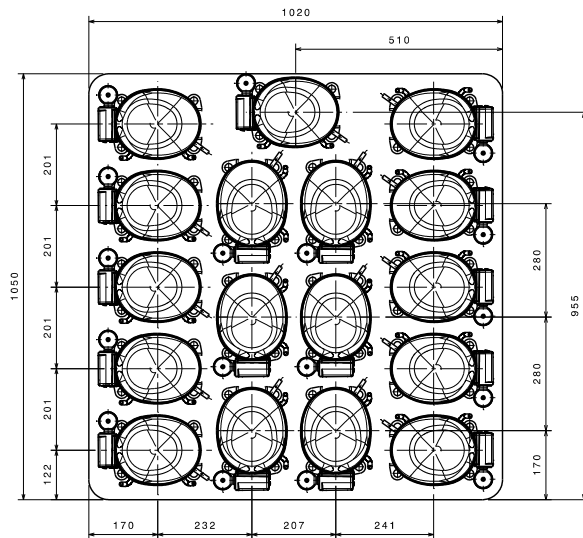
U compressor tray distribution



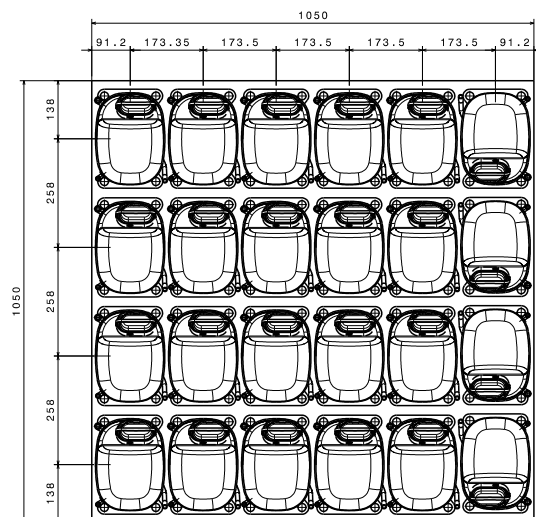
L and P compressor tray distribution



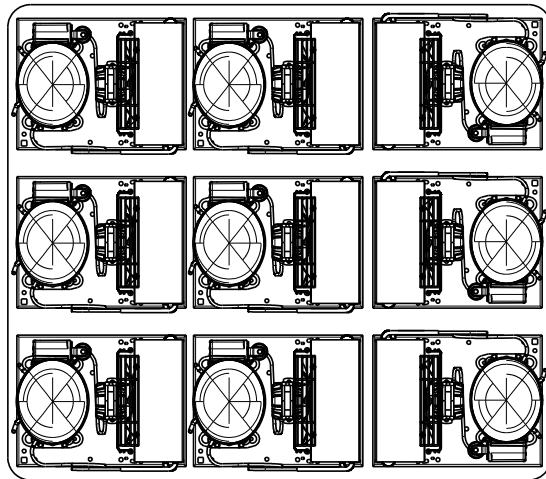
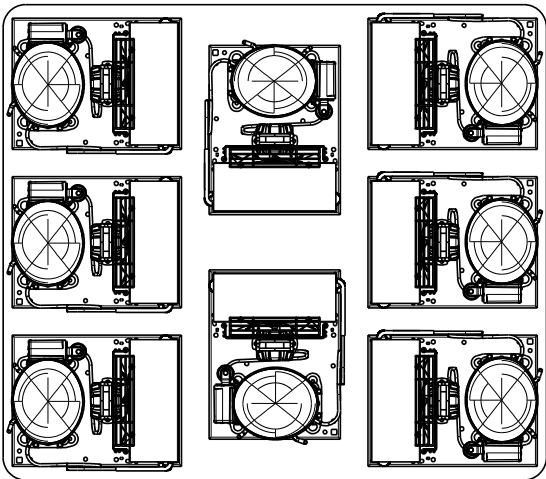
X compressor tray distribution



S compressor tray distribution



Condensing Units Pallet Distribution

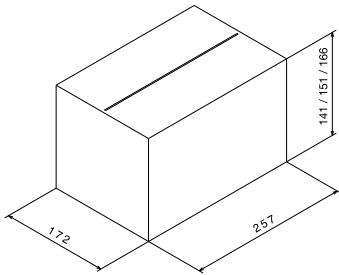


Pallet label

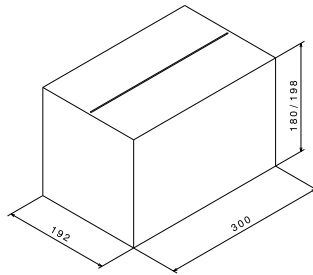
Receiver CUSTOMER	Customer 00000	Customer part number 00000000-000
Work Order 00000	Supplier name HUAYI COMPRESSOR	
Part Name(P) 000000 		0000 A00 / MUELLE 000000 DD.MM.YYYY 00:00:00
Quantity(Q) 00,000 UN 	Description COMPRESSOR MODEL	
Supplier ID(V)	Date DD/MM/YYYY	Drawing number
Pallet number 0000000000 	Part number barcode 	

Single Boxes Drawings

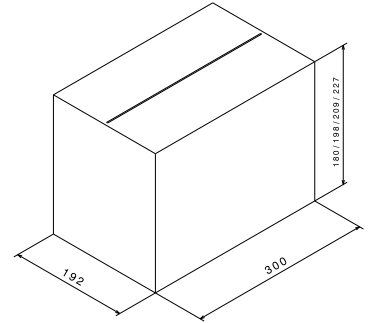
Small L & B Range



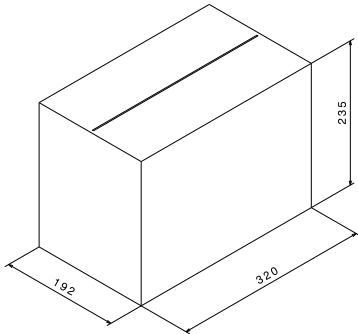
U Range



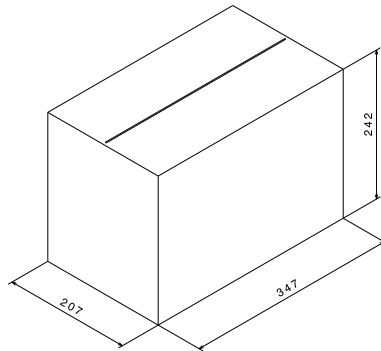
L & P Ranges



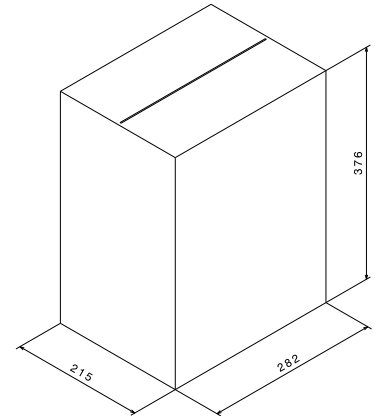
P / X Range



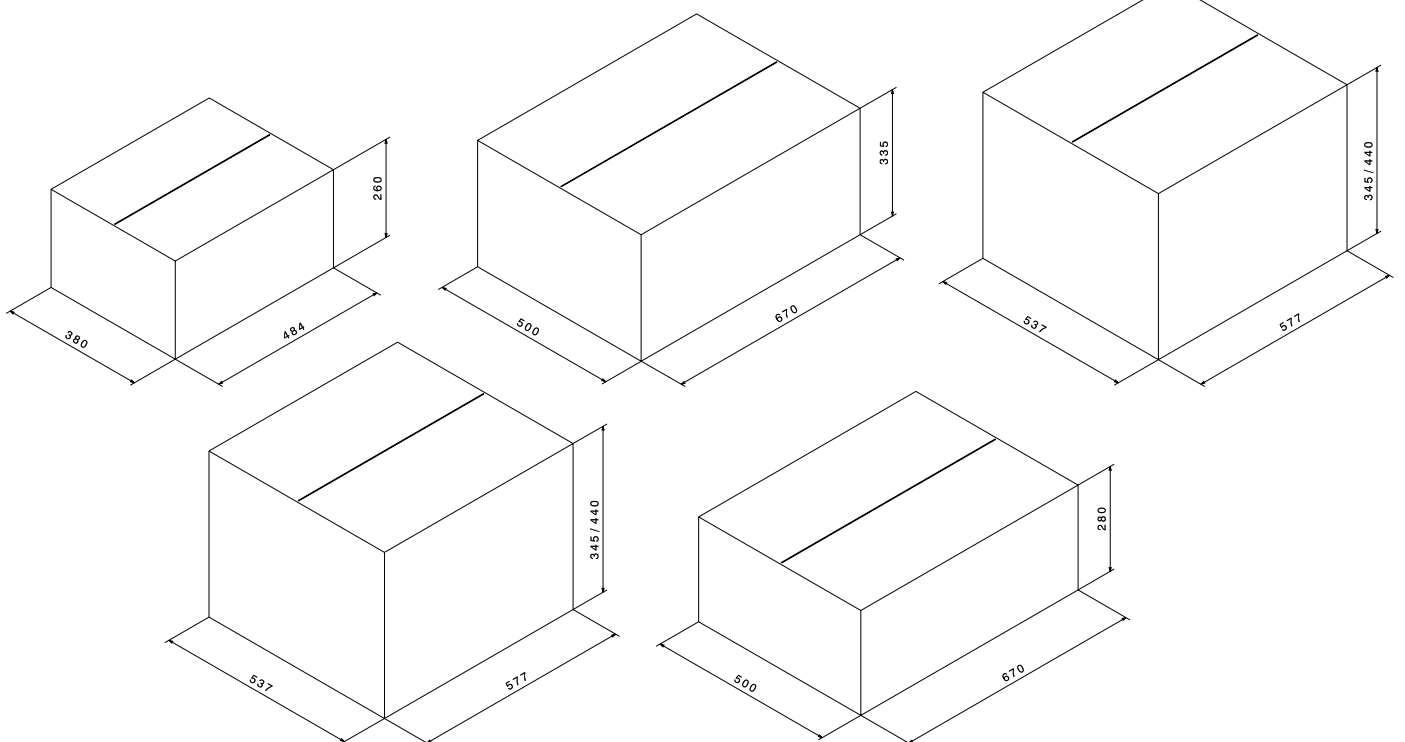
X Range with connecting box

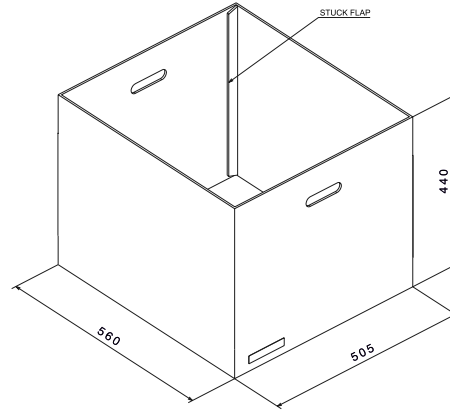
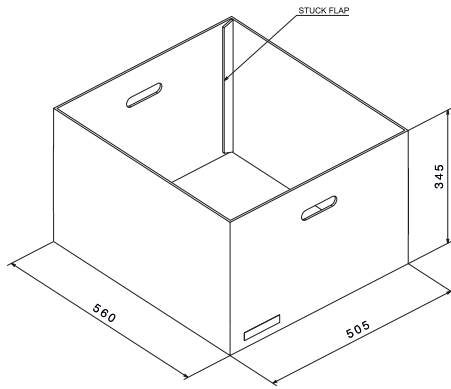
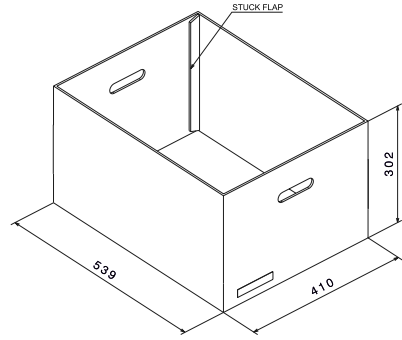
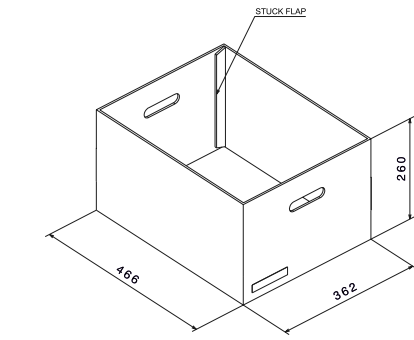


S Range



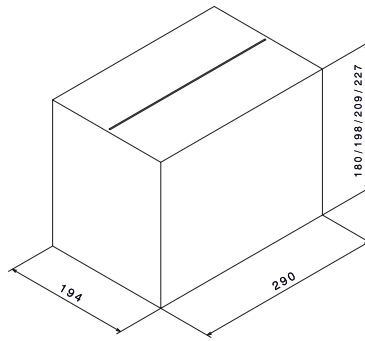
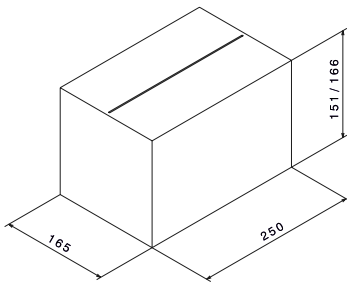
Condensing Units



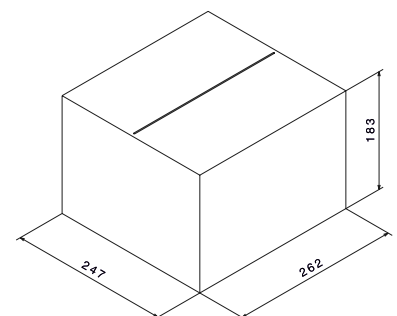
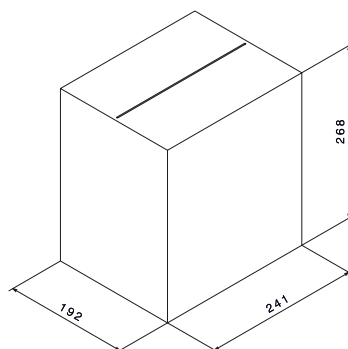
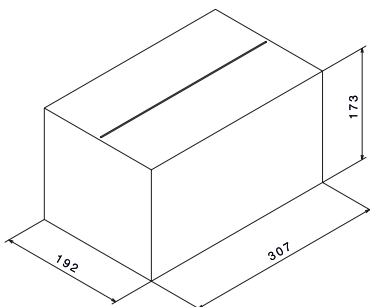


GD30FDC Compressor

GLT80TDC Compressor



GD30FDC Condensing Units



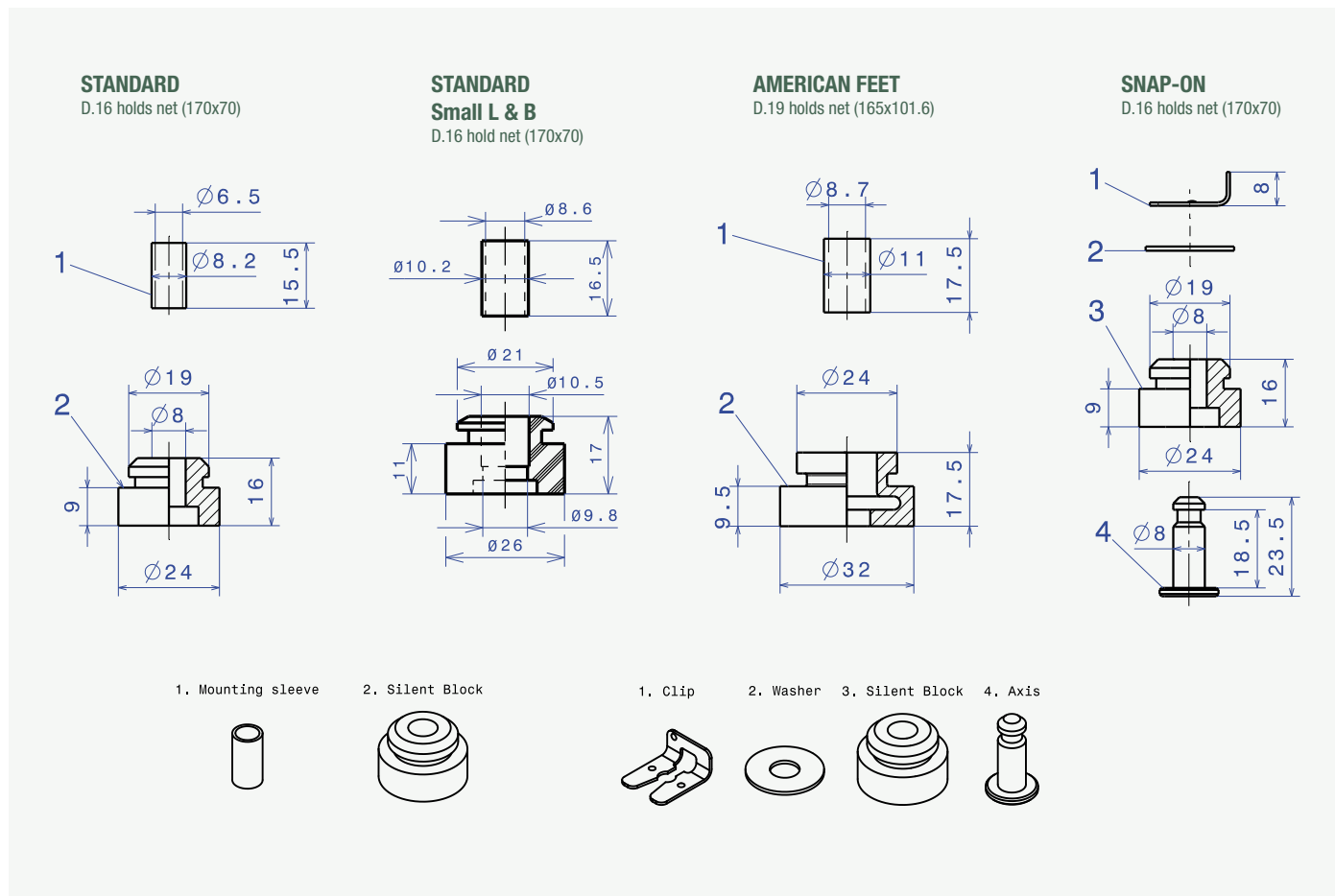
Fixings

Fixings allow the manufacturer of appliances to fix the compressor to the appliance base, connecting it to the cooling system.

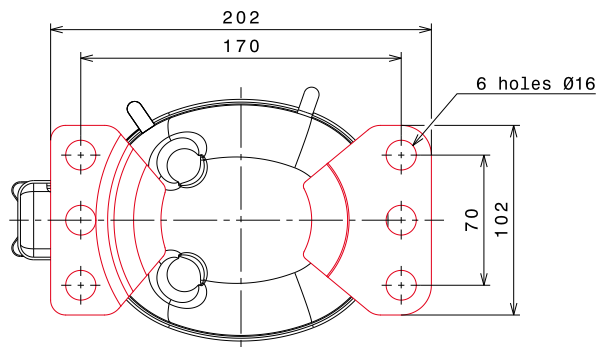
Mounting feet

Range	Mounting feet	
Small L & B	European type. Set of 4 holes of 16mm DIA with inter-axes: 70x170mm	
U	European type. Set of 4 holes of 16mm DIA with inter-axes: 70x170mm	
Small L / P	European type Set of 4 holes of 16 mm DIA with inter-axes: 70 x 170 mm	American type Two sets of 4 holes: 1.- Set of 16 mm DIA with inter-axes: 70 x 170 mm 2.- Set of ¾ inch (19 mm) DIA with inter-axes: 4 x 61/2 inch (101.6 x 165 mm)
X	One set of 4 holes of 19 mm (¾ inch) DIA with inter-axes: 114.3 x 178 mm (4 1/2 x 7 inch)	
S	One set of 4 holes of 19 mm (¾ inch) DIA with inter-axes: 122.2 x 200.2 mm (4 13/16 x 7 7/8 inch)	

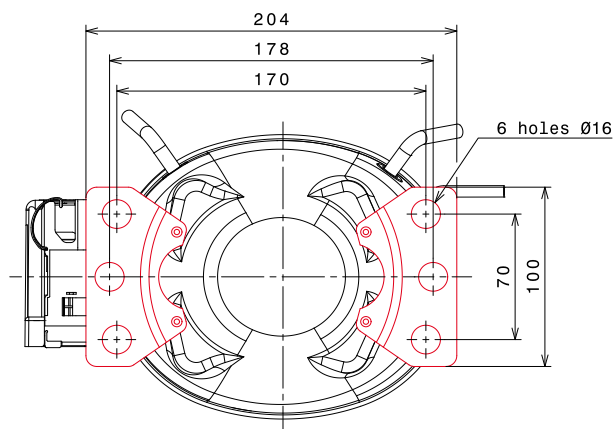
Silent Blocks (Mounting accessories)



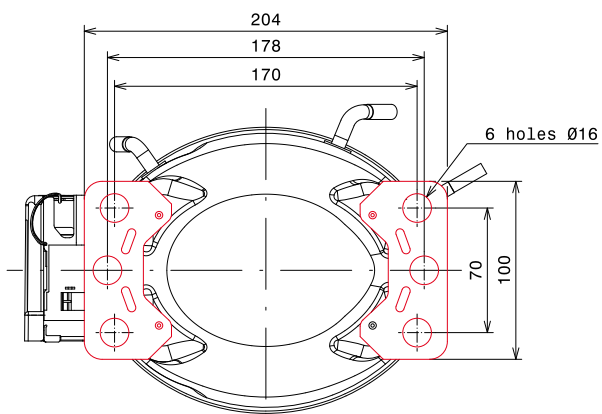
Small L & B Range
European mounting feet



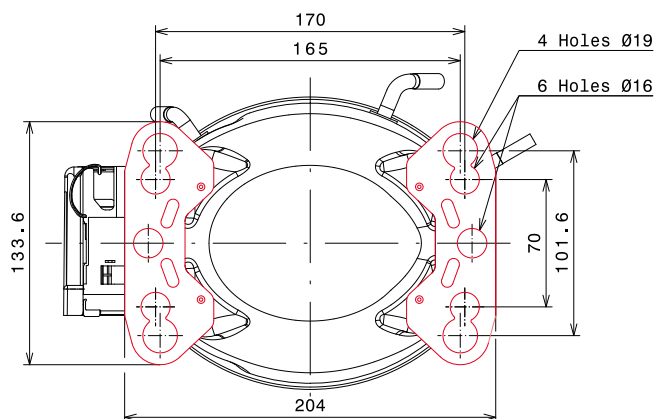
U Range
European mounting feet



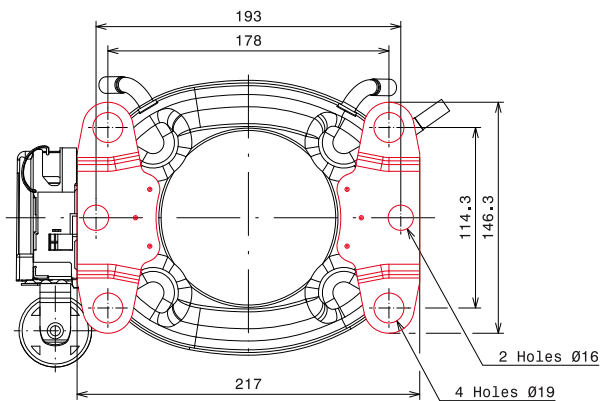
L / P Range
European mounting feet



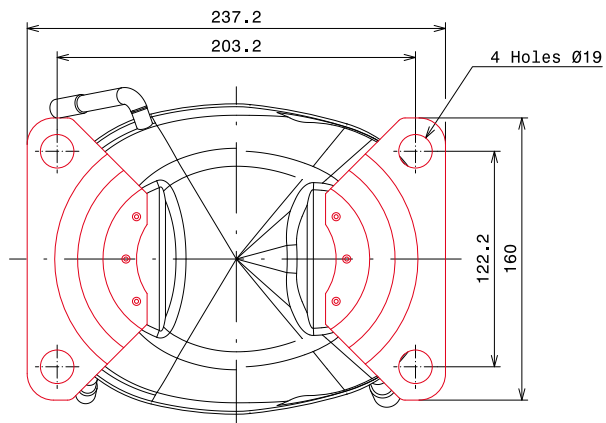
American mounting feet



X Range

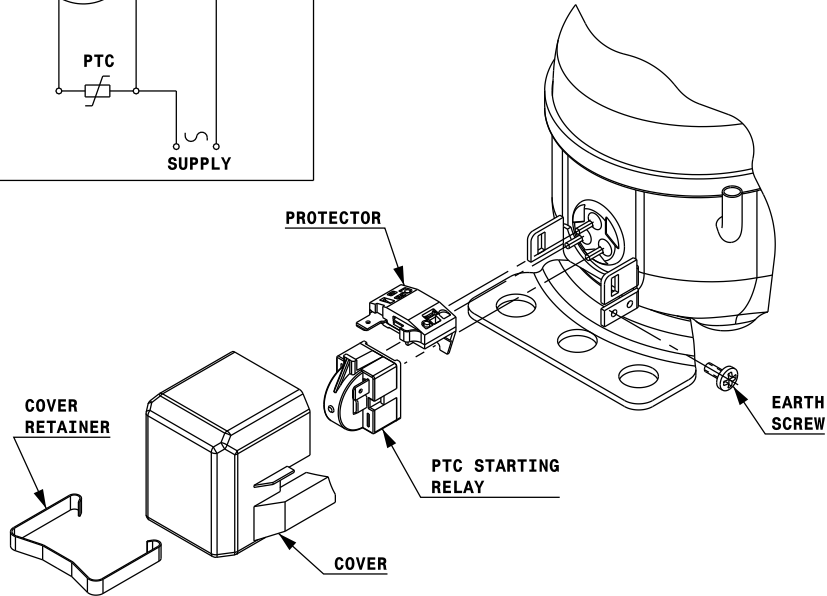
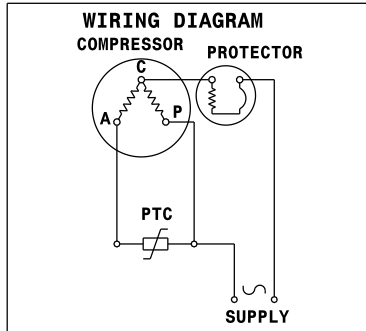


S Range

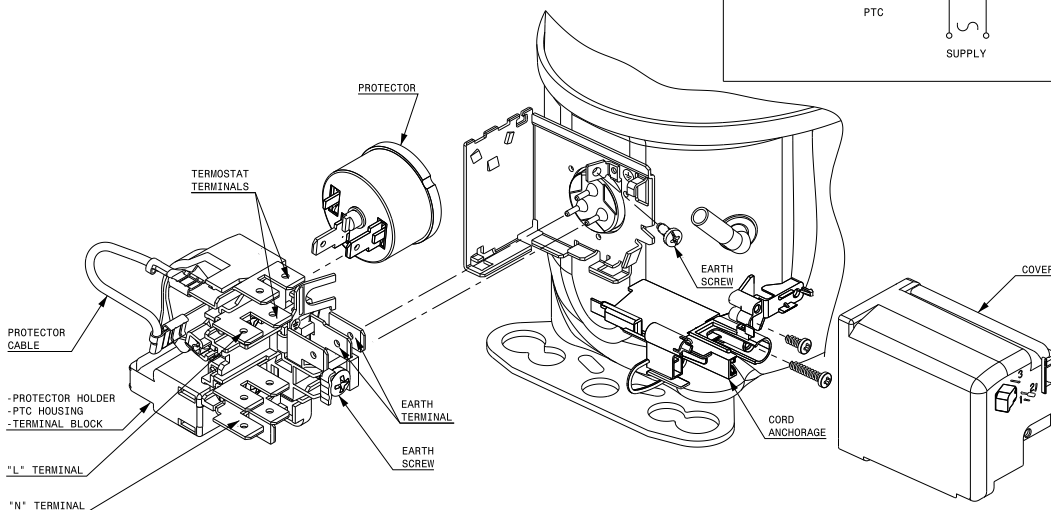
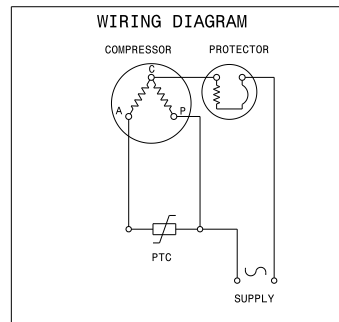


Wiring Diagrams and Electrical Assembly

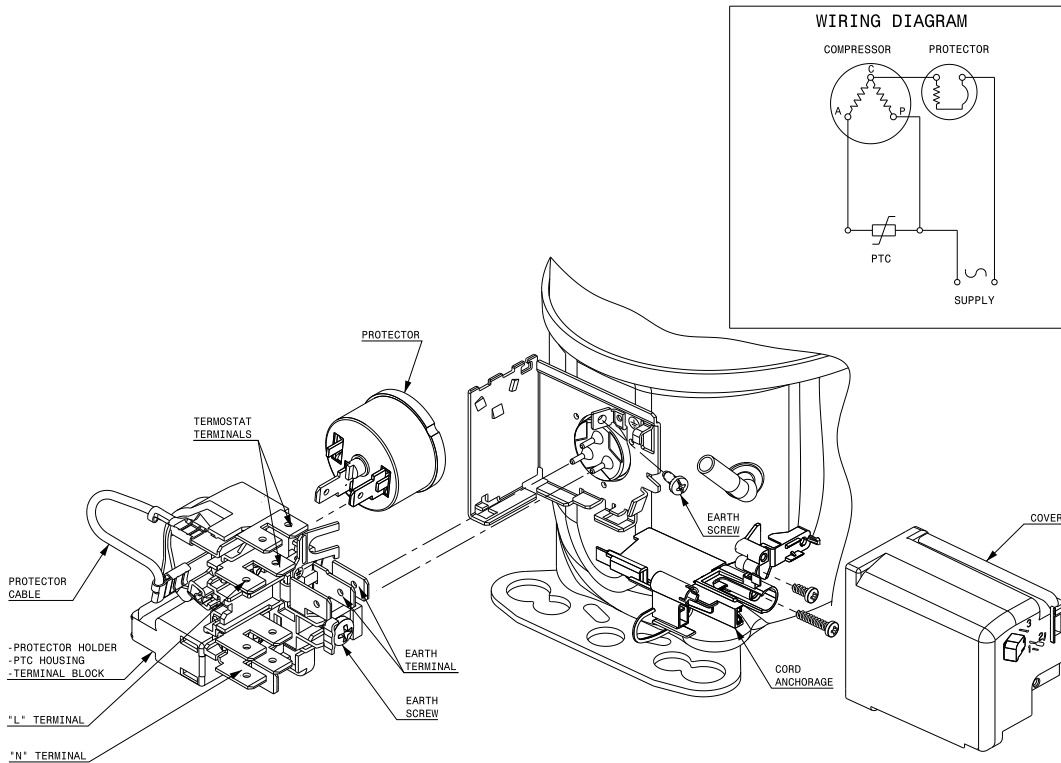
RSIR CONNECTION (PTC) Small L & B



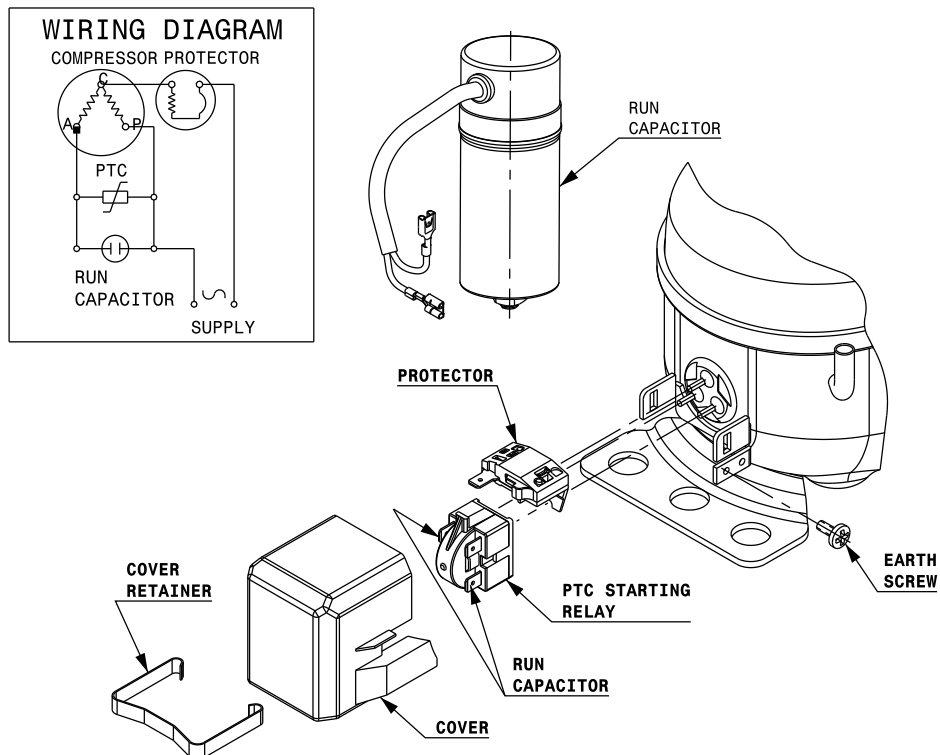
RSIR CONNECTION (PTC)



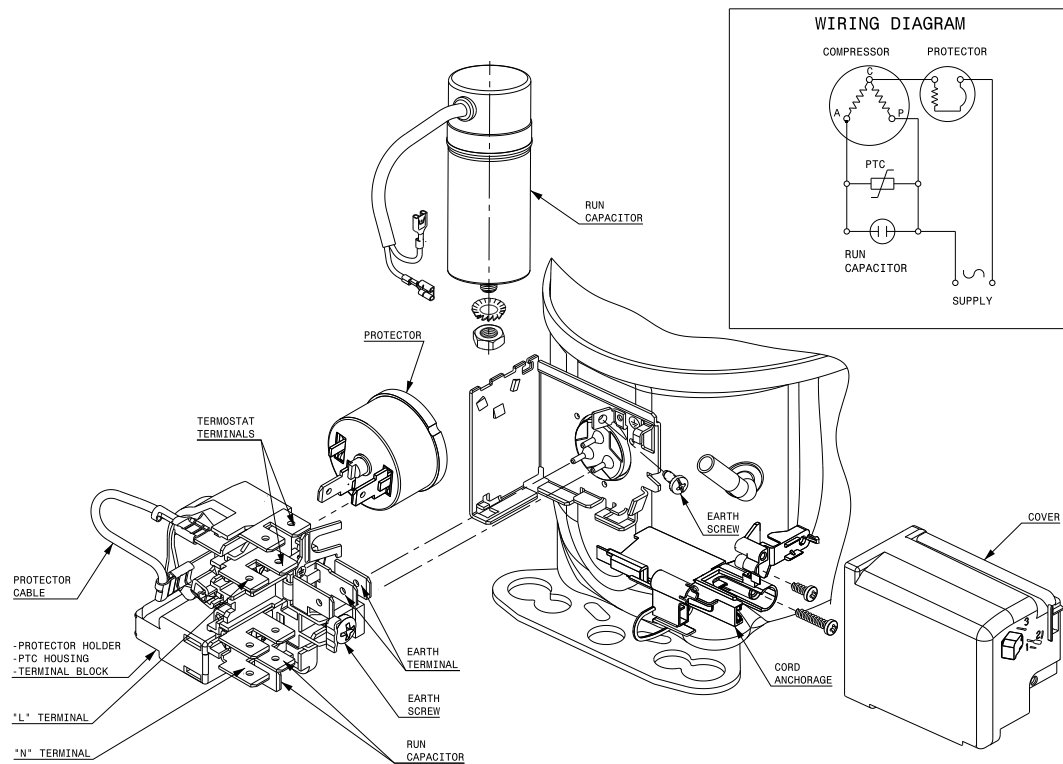
RSIR CONNECTION (RELAY)



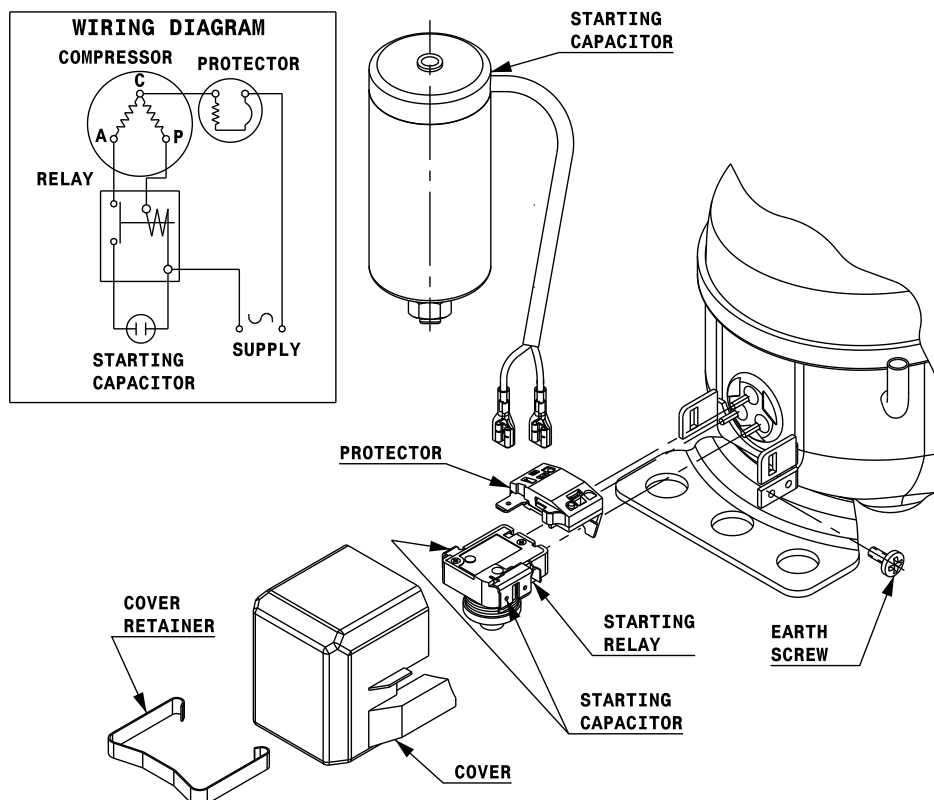
RSCR CONNECTION (PTC) Small L & B



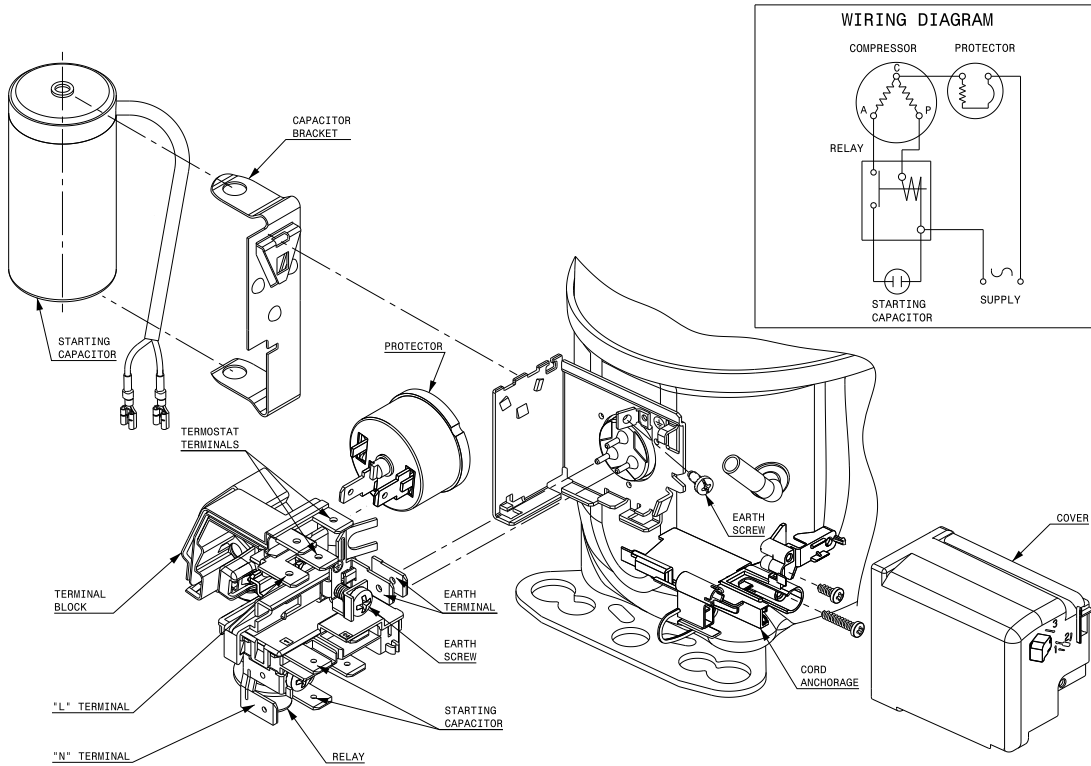
RSCR CONNECTION



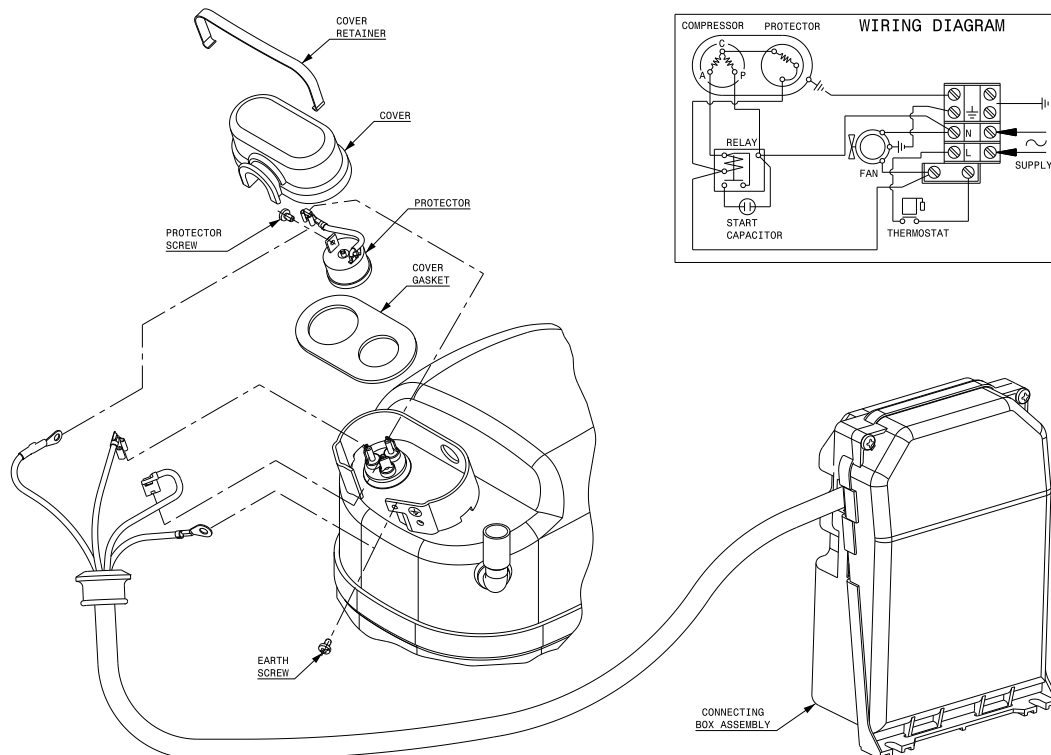
CSIR CONNECTION Small L & B



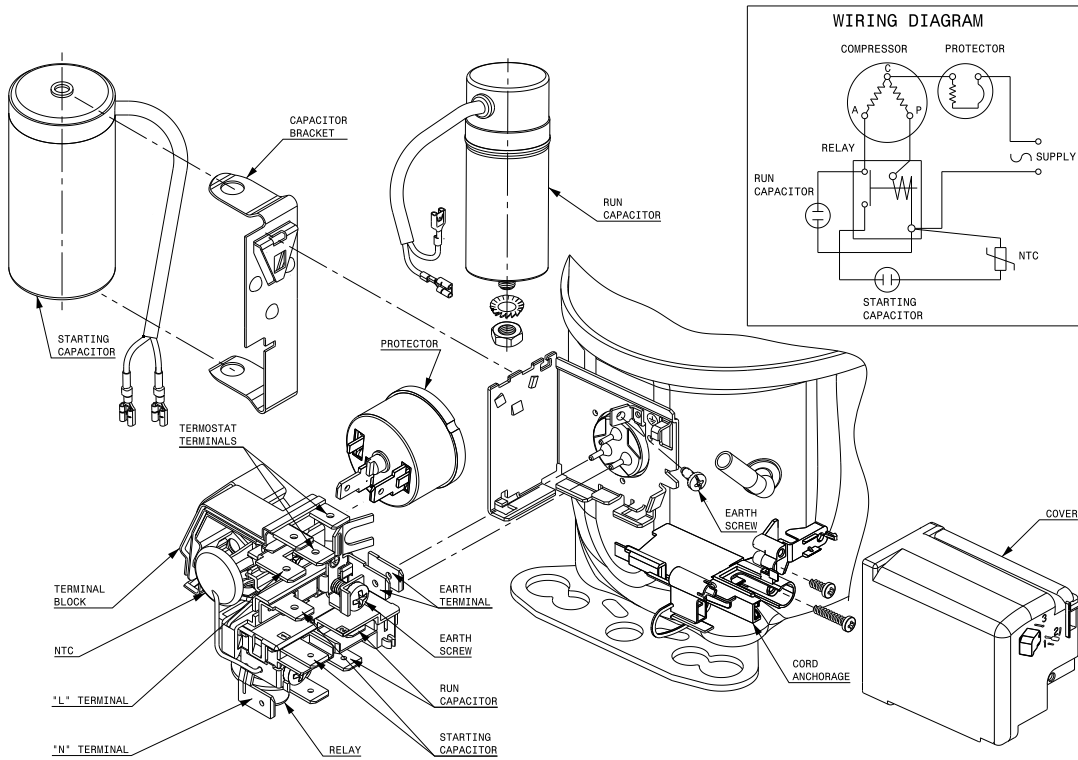
CSIR CONNECTION



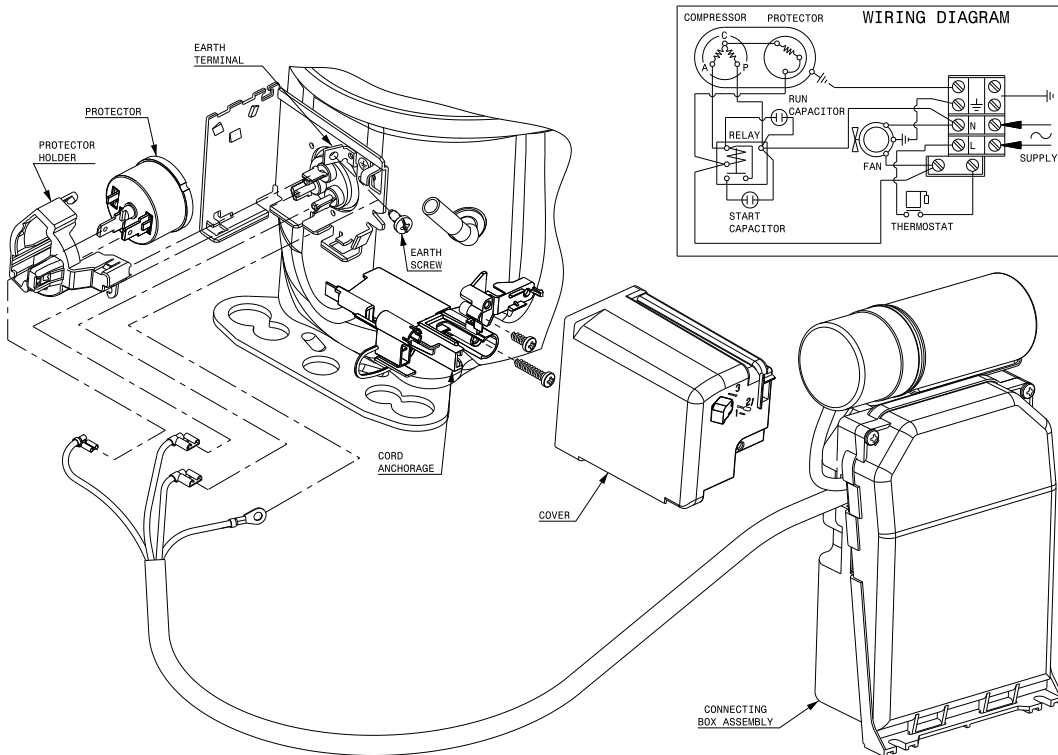
CSIR CONNECTION (EXTERNAL CONNECTING BOX) (S range)



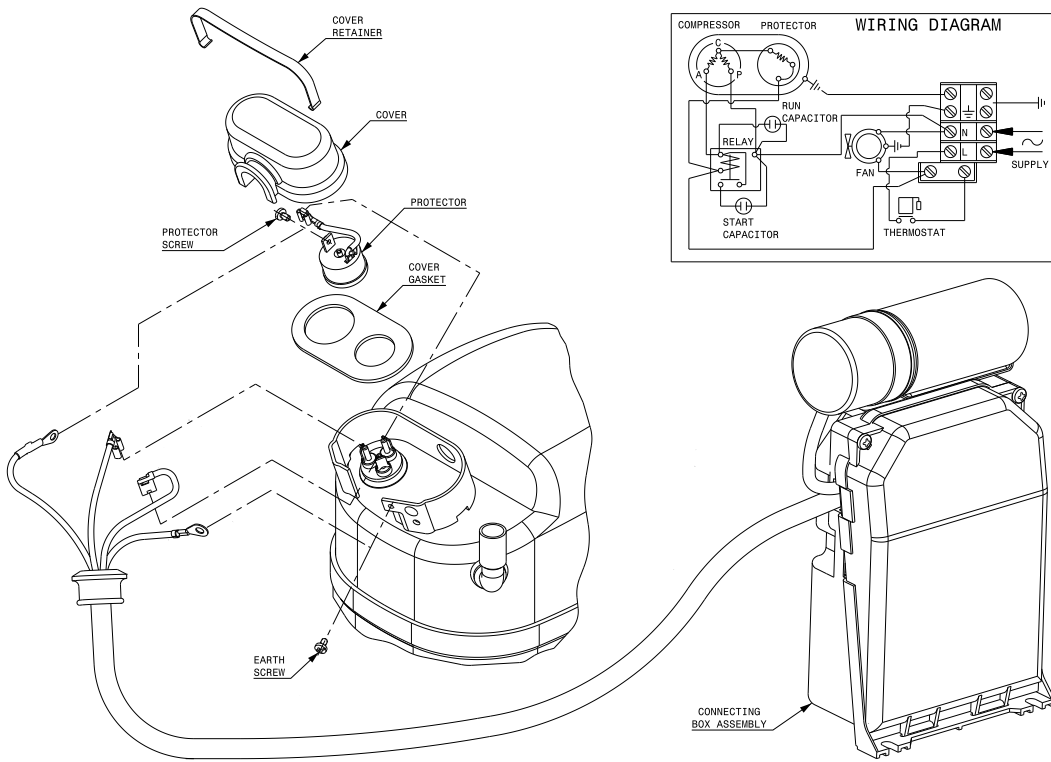
CSR CONNECTION (CURRENT RELAY + NTC)



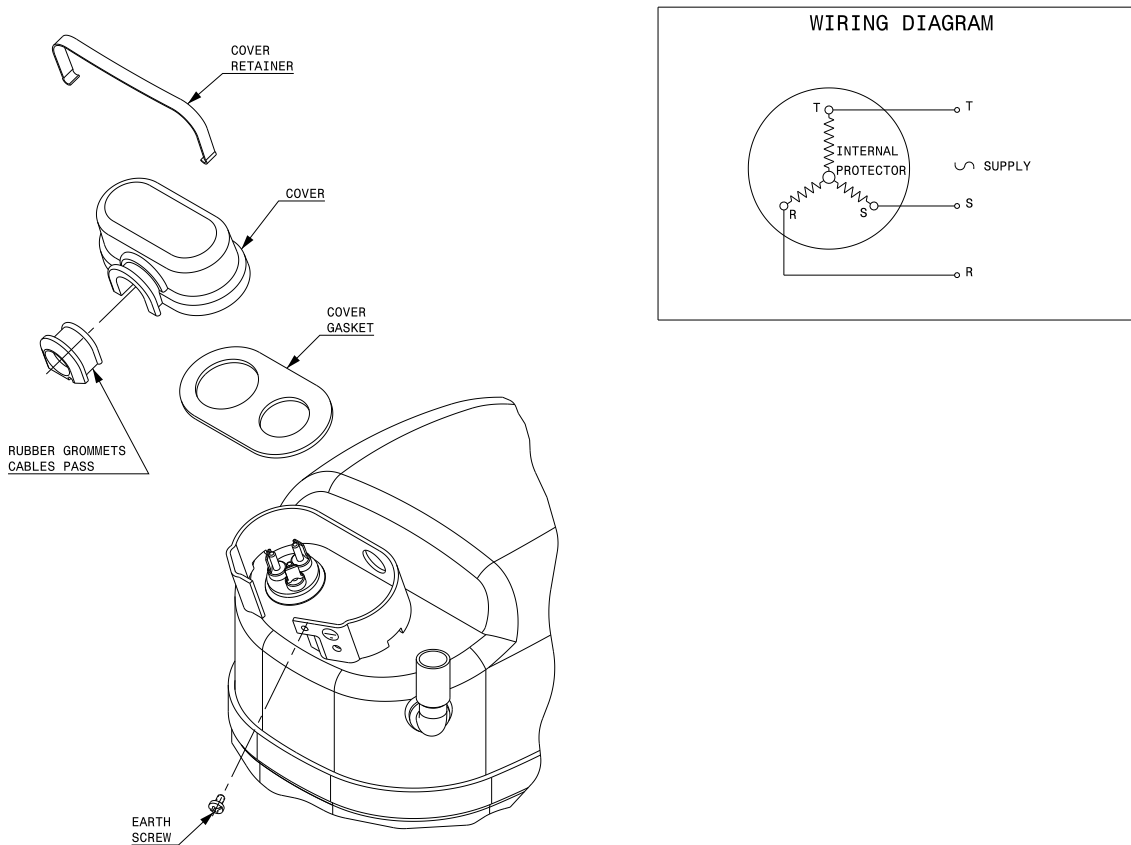
CSR CONNECTION (EXTERNAL CONNECTING BOX) (P, X ranges)

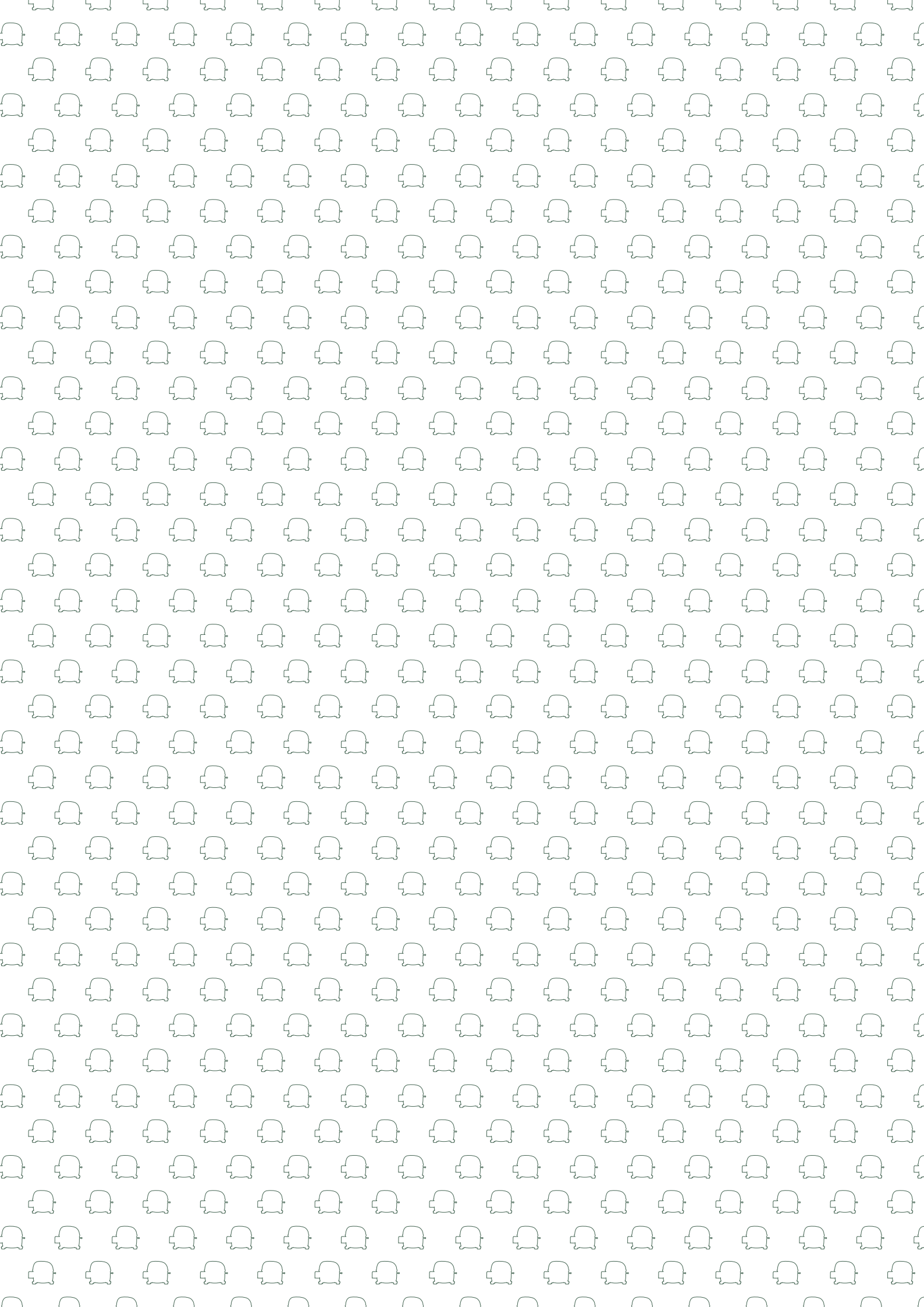


CSR CONNECTION (EXTERNAL CONNECTING BOX) (S range)



3PH CONNECTION (S range)







**HUAYI
COMPRESSOR
BARCELONA**

Huayi Compressor Barcelona, S.L.
Antoni Forrellad, 2 · 08192
Sant Quirze del Vallès · BCN · Spain
Phone: +34 93 710 60 08
Fax +34 93 710 69 58

www.huayicompressor.es